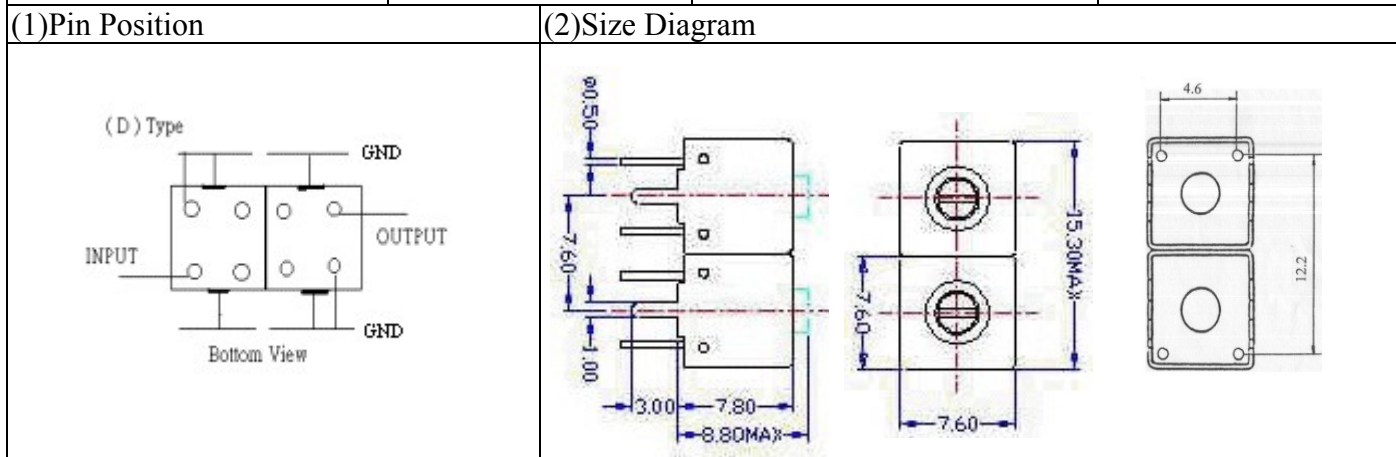


# VHF UHF Helical Filter Specification Sheet

Customer Name		Temwell's Part No.	TDS2144D-796M
Approval No. /dated	0709067APR	Customer's Part No.	2144D 796M
Work Instruction No.	0709067C	Date	Feb.18.2008



(3)Electric Charasteric

Item	Specify	Performance	
Center Freq.(Fo ) +/- 0.5 %	796 MHz	796 MHz	
Tunable Range	796±5 MHz	796±5 MHz	
Insertion Loss	Typ. 3.0 dB	2.25 dB	
-3 dB Bandwidth	Typ. 22 MHz	26.2 MHz	
Sensitivity (Attenuation)	Fo - 100 MHz	Typ. 33 dBc	36 dBc
	Fo + 100 MHz	Typ. 28 dBc	29 dBc
	Fo - ( )MHz	Typ. dBc	dBc
	Fo +( )MHz	Typ. dBc	dBc
Return Loss	Min. 12 dB	38.5 dB	
Ripple	< 1 dB	dB	
Impedance	In / Out : 50 Ω	In / Out : 50 Ω	

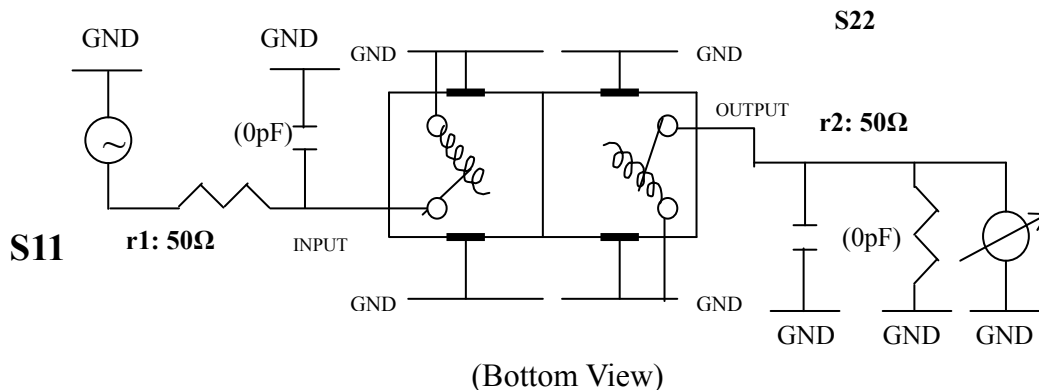
(4)Torque for Tuning Screw > 100gf · cm

(5)Temperature Condition:

Operating Temperature	0°C ~ +60°C
Storage Temperature	-20°C ~ +70°C

(6)Input Power > 1Watt

(7)Measuring Circuit: ※Easy to match Impedance 50Ω/50Ω by parallel with about ( 0 ) pF.



Approval C.Y.Chang	Supervisor C.S.Chang	Designer Y.H.Chuan	Aperture size 7S2(4*5.1)F*(4.0B) 7S046LB4
-----------------------	-------------------------	-----------------------	---

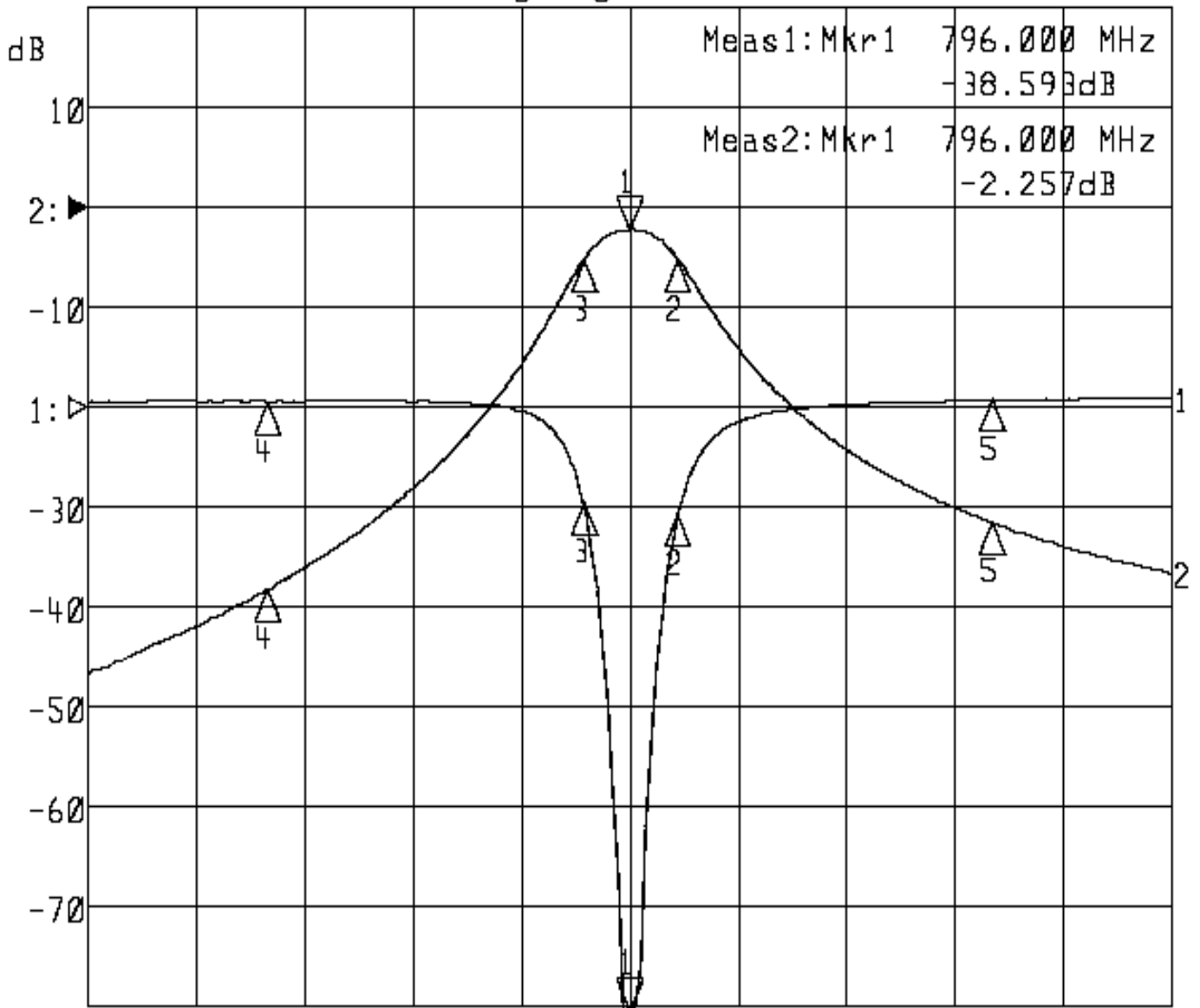
TEMWELL CORPORATION

# Performance-TDS2144D-796M

## 0709067C

▶1:S11 Refl Port1 Log Mag 5.0 dB/ Ref 0.00 dB C

▶2:S21 Fwd Trans Log Mag 10.0 dB/ Ref 0.00 dB C



Center 796.000 MHz

Span 300.000 MHz

1: Mkr (MHz)	dB	2: Mkr (MHz)	dB
1> 796.0000	-38.593	1> 796.0000	-2.257
2: 809.4000	-5.405	2: 809.4000	-5.196
3: 783.2000	-4.782	3: 783.2000	-5.260
4: 696.0000	0.293	4: 696.0000	-38.255
5: 896.0000	0.316	5: 896.0000	-31.525