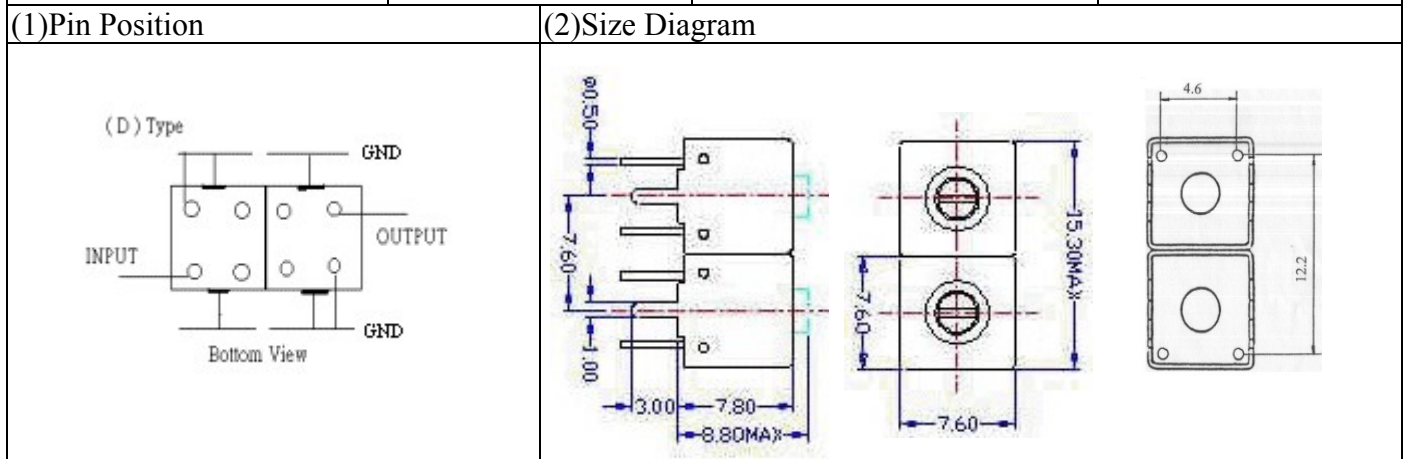


# VHF UHF Helical Filter Specification Sheet

Customer Name		Temwell's Part No.	TDS2134D-710M
Approval No. /dated	0709063APR	Customer's Part No.	2134D 710M
Work Instruction No.	0709063C	Date	Feb.15.2008



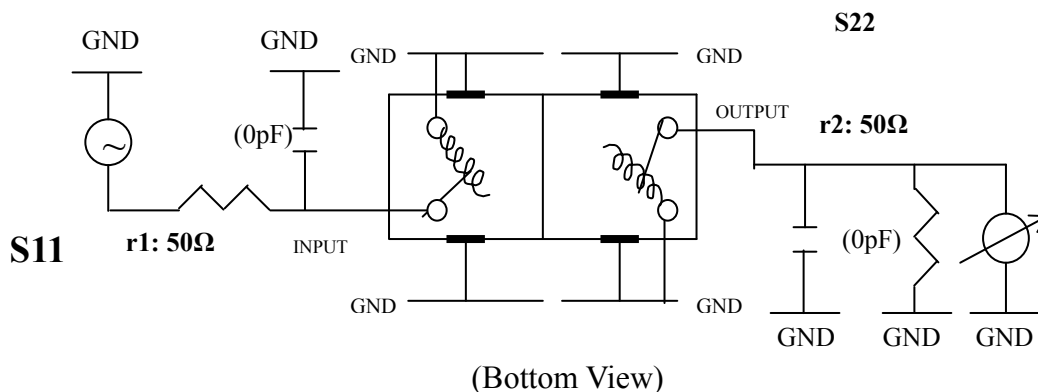
(3) Electric Characteristic		Item	Specify	Performance
		Center Freq.(Fo) +/- 0.5 %	710 MHz	710 MHz
		Tunable Range	710±5 MHz	710±5 MHz
		Insertion Loss	Typ. 3.0 dB	2.41 dB
		-3 dB Bandwidth	Typ. 17 MHz	20.3 MHz
Sensitivity (Attenuation)	Fo - 50 MHz	Typ. 23 dBc		27 dBc
	Fo + 50 MHz	Typ. 21 dBc		22 dBc
	Fo - ( )MHz	Typ. dBc		dBc
	Fo +( )MHz	Typ. dBc		dBc
		Return Loss	Min. 12 dB	27.0 dB
		Ripple	< 1 dB	dB
		Impedance	In / Out : 50 Ω	In / Out : 50 Ω

(4) Torque for Tuning Screw > 100gf · cm

(5) Temperature Condition:	
Operating Temperature	0°C ~ +60°C
Storage Temperature	-20°C ~ +70°C

(6) Input Power > 1Watt

(7) Measuring Circuit: ※Easy to match Impedance 50Ω/50Ω by parallel with about ( 0 ) pF.



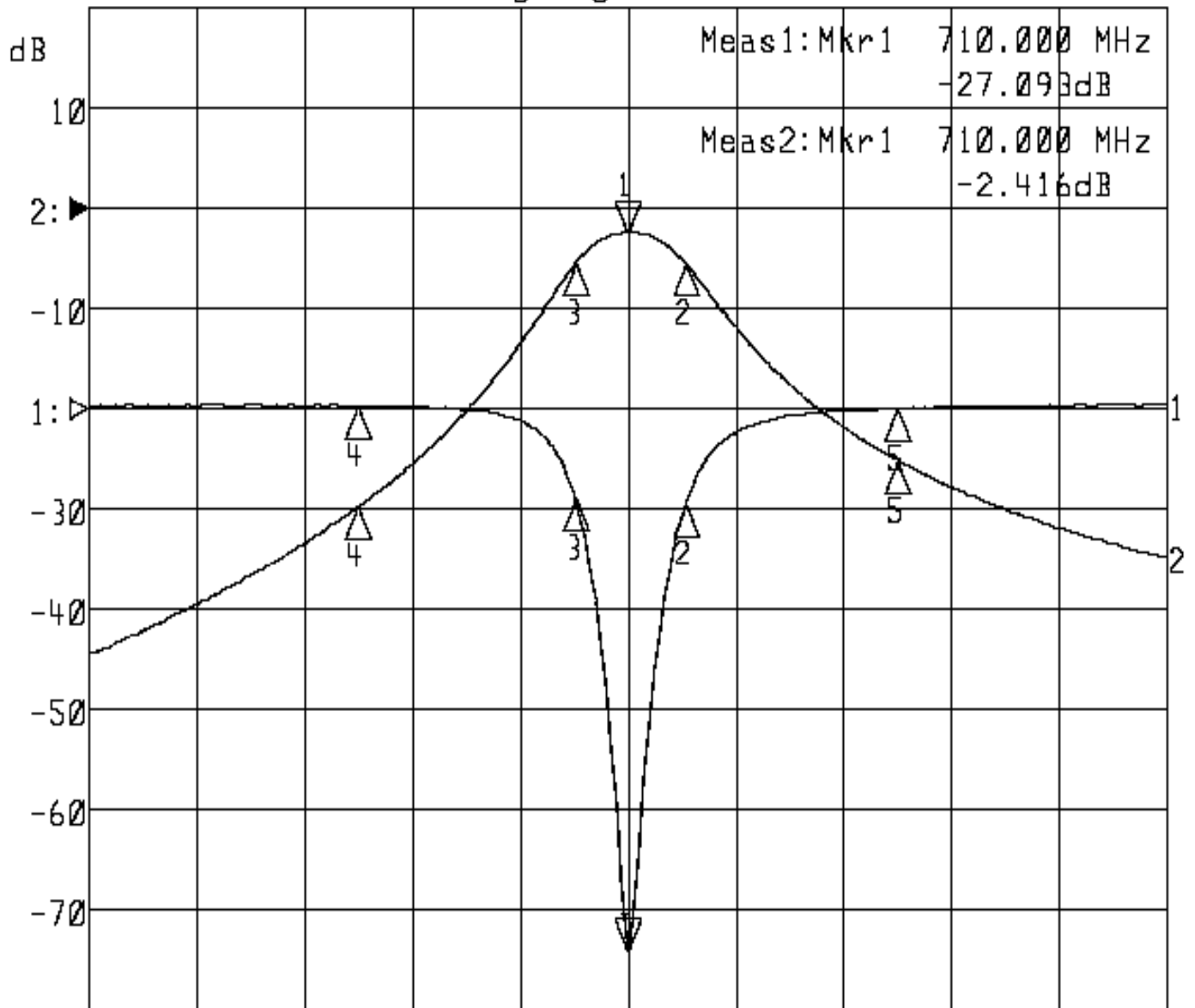
Approval	Supervisor	Designer	Aperture size
C.Y.Chang	C.S.Chang	Y.H.Chuan	7S2(4*4.3)F*(4.0B) 7S046RB4

TEMWELL CORPORATION

# Performance-TDS2134D-710M

## 0709063C

▶1:S11 Refl Port1 Log Mag 5.0 dB/ Ref 0.00 dB C  
▶2:S21 Fwd Trans Log Mag 10.0 dB/ Ref 0.00 dB C



Center 710.000 MHz

Span 200.000 MHz

1:Mkr (MHz)	dB	2:Mkr (MHz)	dB
1> 710.0000	-27.093	1> 710.0000	-2.416
2: 720.6667	-4.797	2: 720.6667	-5.434
3: 700.3333	-4.553	3: 700.3333	-5.410
4: 660.0000	0.149	4: 660.0000	-29.799
5: 760.0000	0.006	5: 760.0000	-25.129