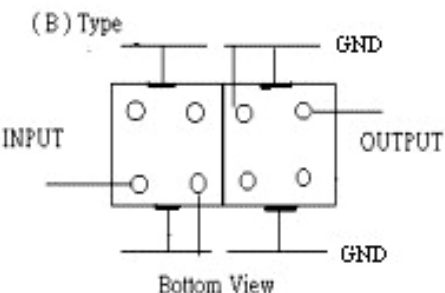
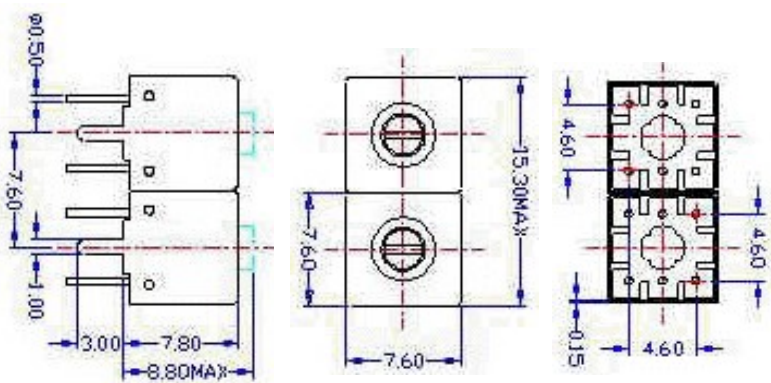


VHF UHF Helical Filter Specification Sheet

Customer Name		Temwell's Part No.	TDS2013B-230M
Approval No. /dated	20102028DC	Acceptable Specify Fo. Range	221~245MHz
Work Instruction No.	20102028DC	Date	2001.03.03

(1)Pin Position	(2)Size Diagram
 <p>(B) Type GND INPUT OUTPUT GND Bottom View</p>	 <p>Dimensions: 90.50, 7.60, 1.00, 3.00, 7.80, 8.80MAX, 7.60, 15.30MAX, 4.60, 0.15, 4.60, 4.60.</p>

(3)Electric Character

Item	Specify	Performance	
Center Freq.(Fo) +/- 0.5 %	230 MHz	230 MHz	
Tunable Range	230±4 MHz	230±4 MHz	
Insertion Loss	Typ. 3.5 dB	2.7 dB	
-3 dB Bandwidth	Typ. 20 MHz	22 MHz	
Sensitivity (Attenuation)	Fo - 50 MHz	Typ. 20 dBc	23 dBc
	Fo + 50 MHz	Typ. 23 dBc	26 dBc
	Fo - ()MHz	Typ. dBc	dBc
	Fo +()MHz	Typ. dBc	dBc
Return Loss	Min. 12 dB	36 dB	
Ripple	< 1 dB	dB	
Impedance	In / Out : 50 Ω	In / Out : 50 Ω	

(4)Torque for Tuning Screw > 100gf · cm

(5)Temperature Condition:

Operating Temperature	0°C ~ +60°C
Storage Temperature	-20°C ~ +70°C

(6)Input Power > 1Watt

Approval	Supervisor	Designer	Aperture size
C.Y.Chang	C.S.Chang	C.S.Chang	7S2S(4*4.5) 7S00LB5.5

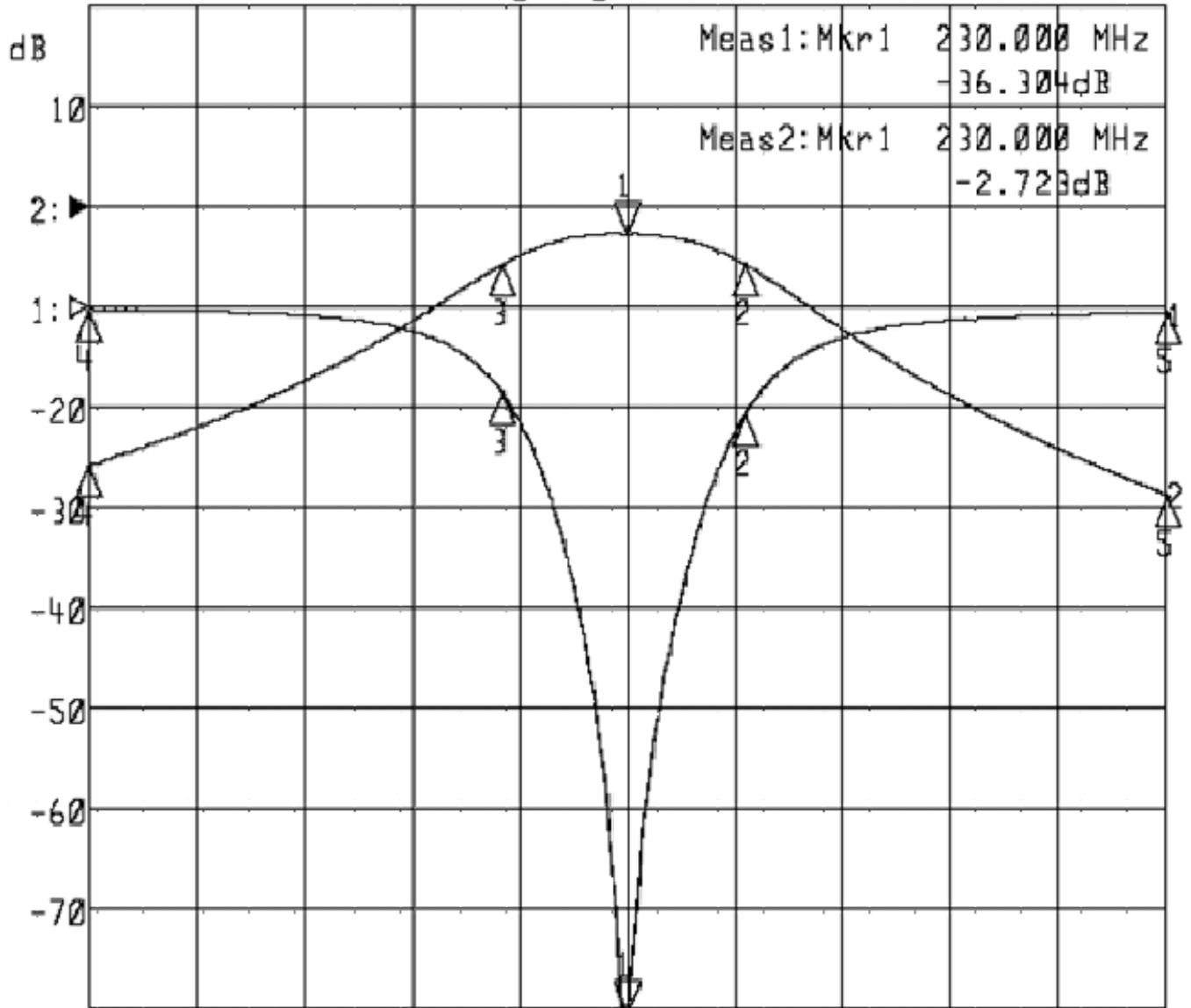
TEMWELL CORPORATION

Performance- TDS2013B-230M

20102028DC

▷1:S11 Refl Port1 Log Mag 5.0 dB/ Ref 0.00 dB C

▷2:S21 Fwd Trans Log Mag 10.0 dB/ Ref 0.00 dB C



Center 230.000 MHz

Span 100.000 MHz

1:Mkr (MHz)	dB	2:Mkr (MHz)	dB
1> 230.0000	-36.304	1> 230.0000	-2.723
2: 240.9000	-5.402	2: 240.9000	-5.722
3: 218.4000	-4.271	3: 218.4000	-5.786
4: 180.0000	-0.144	4: 180.0000	-25.812
5: 280.0000	-0.304	5: 280.0000	-28.674