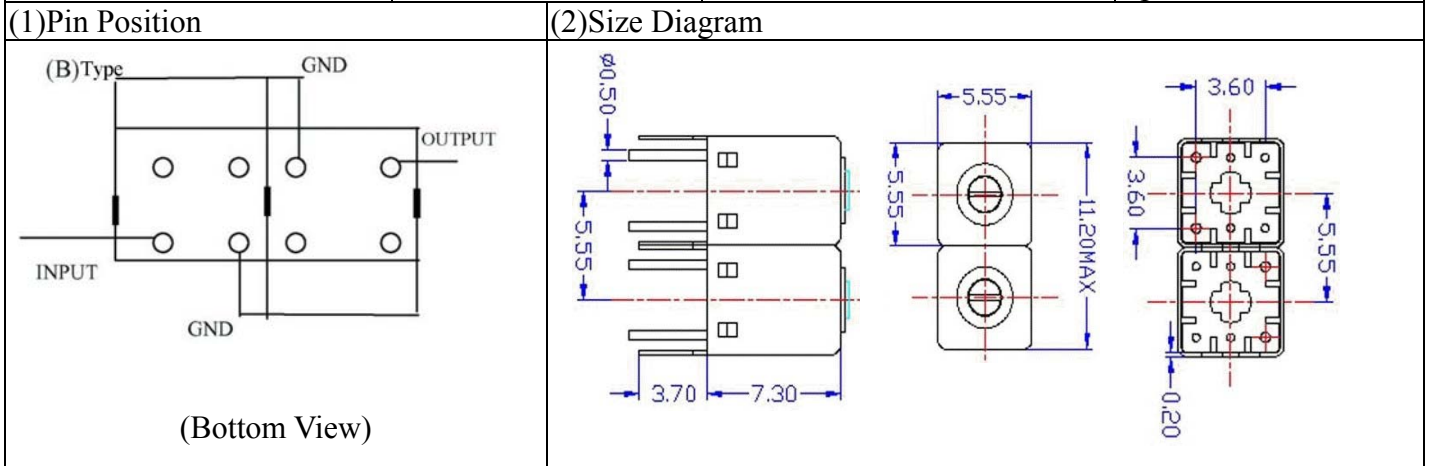


# VHF UHF Helical Filter Specification Sheet

Customer Name		Temwell's Part No.	TDR2882B-395M
Approval No. /dated	1003184CD	Temwell's print name.	2882B 395M
Work Instruction No.	201003184CD	Date	Apr.13.2010



(3) Electric Characteristic

Item	Specify	Performance	
Center Freq.(Fo) +/- 0.5 %	395 MHz	395 MHz	
Insertion Loss	Typ. 3.5 dB	2.53 dB	
-3 dB Bandwidth	Typ. 10 MHz	14.7 MHz	
Sensitivity (Attenuation)	Fo - 50 MHz	Typ. 25 dBc	27 dBc
	Fo + 50 MHz	Typ. 30 dBc	36 dBc
	Fo - ( )MHz	Typ. dBc	dBc
	Fo + ( )MHz	Typ. dBc	dBc
Return Loss	Min. 12 dB	21.8 dB	
Ripple	< 1 dB	dB	
Impedance	In / Out : 50 Ω	In / Out : 50 Ω	
(4) Torque for Tuning Screw	> 60gf • cm		

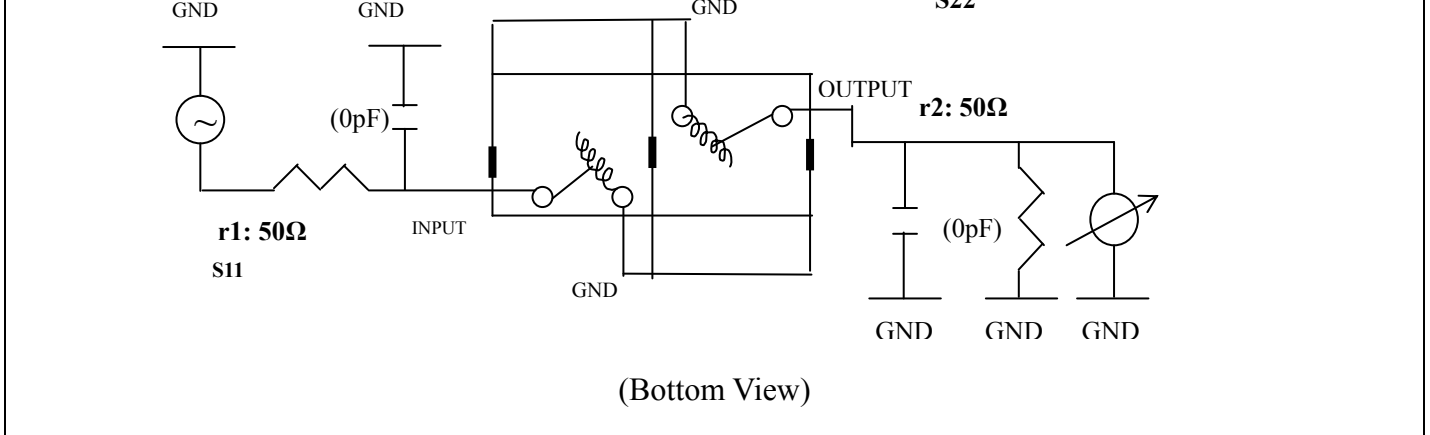
(5) Temperature Condition:

Operating Temperature	0°C ~ +60°C
Storage Temperature	-20°C ~ +70°C

(6) Input Power

	>0.5Watt
--	----------

(7) Measuring Circuit: ※Easy to match Impedance 50Ω by parallel with about (0) pF.



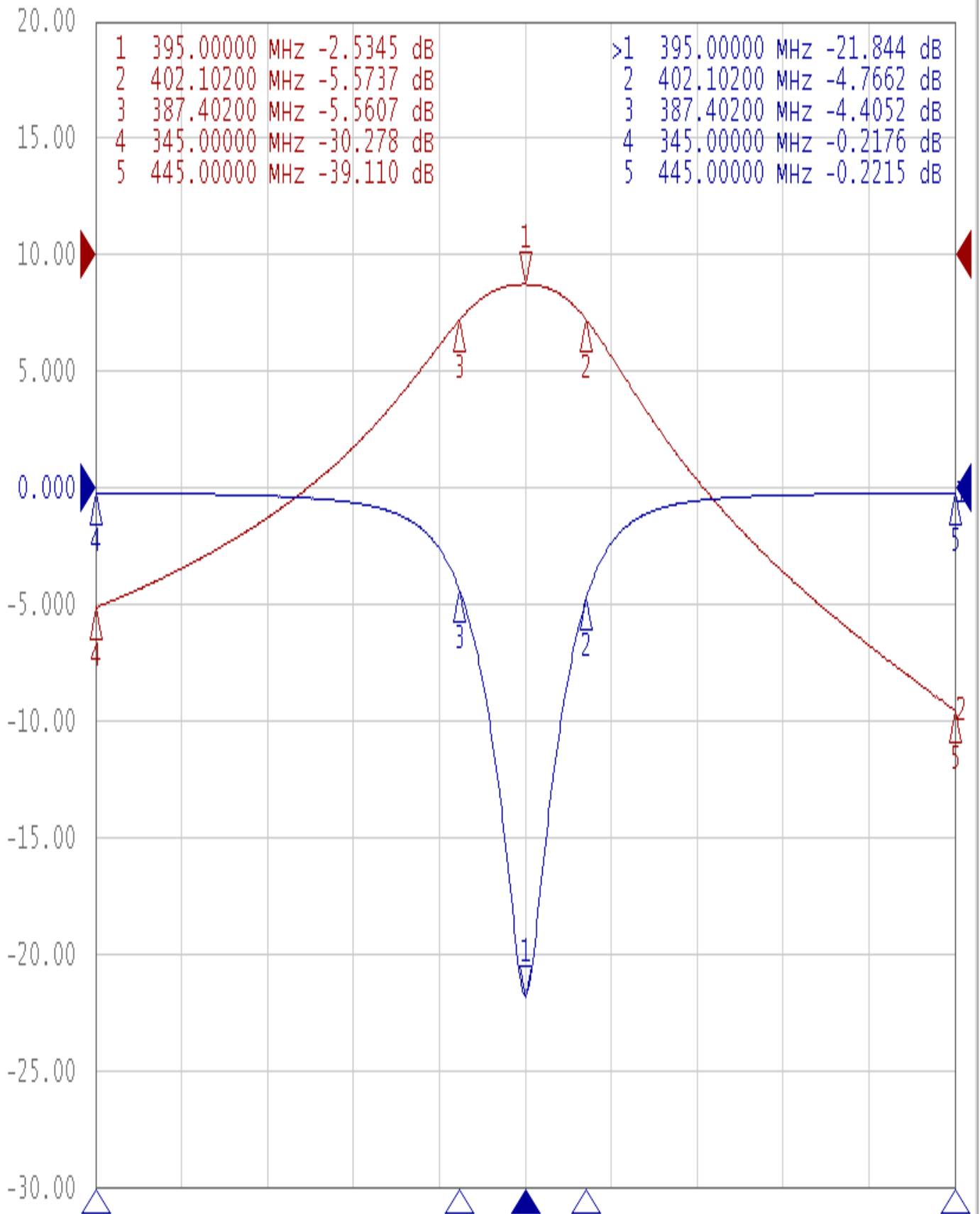
Approval C.Y.Chang	Supervisor C.K.Chang	Designer C.S.Chang	Aperture size 5R2(3.8*3.7)(3.72) 5HW024LB3
-----------------------	-------------------------	-----------------------	--

TEMWELL CORPORATION

# Performance-TDR2882B-395M

## 201003184CD

▶ Tr1 S11 Log Mag 5.000dB/ Ref 0.000dB [F2]  
Tr2 S21 Log Mag 10.00dB/ Ref 0.000dB [F2]



1 Center 395 MHz IFBW 10 kHz Span 100 MHz Cor !