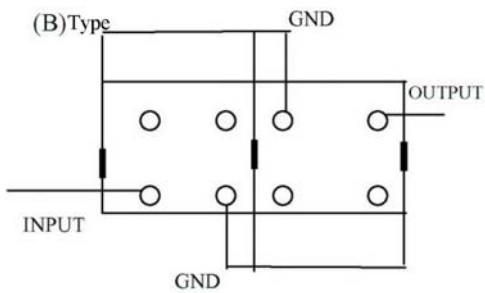
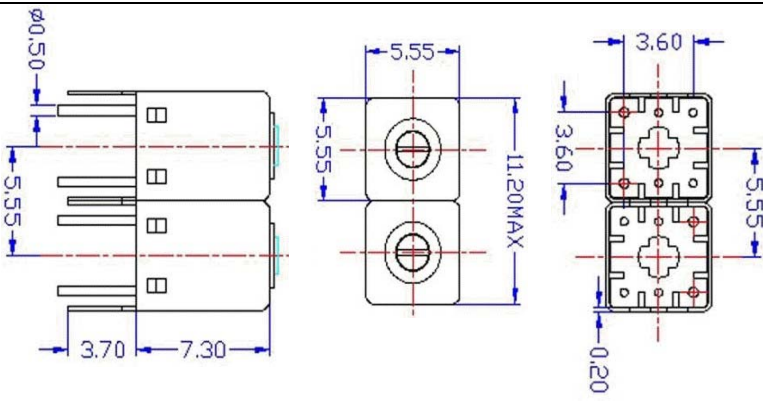


VHF UHF Helical Filter Specification Sheet

Customer Name		Temwell's Part No.	TDR2819B-1625M
Approval No. /dated	20205069DC	Acceptable Specify Fo. Range	1600~1650MHz
Work Instruction No.	20205069DC	Date	Jun.11.2002

<p>(1)Pin Position</p>  <p style="text-align: center;">(Bottom View)</p>	<p>(2)Size Diagram</p> 
-----------------------------------------------------------------------------------------------------------------------------------------------------------	-----------------------------------------------------------------------------------------------------------

(3)Electric Character

Item	Specify	Performance	
Center Freq.(Fo) +/- 0.5 %	1625 MHz	1625 MHz	
Tunable Range:	1625±10 MHz	1625±10 MHz	
Insertion Loss	Typ. 4.5 dB	3.6 dB	
-3 dB Bandwidth	Typ. 34 MHz	50.5 MHz	
Sensitivity (Attenuation)	Fo - 100 MHz	Typ. 19 dBc	22 dBc
	Fo + 100 MHz	Typ. 16 dBc	19 dBc
	Fo - ()MHz	Typ. dBc	dBc
	Fo +()MHz	Typ. dBc	dBc
Return Loss	Min. 10 dB	11 dB	
Ripple	< 1 dB	dB	
Impedance	In / Out : 50 Ω	In / Out : 50 Ω	
(4)Torque for Tuning Screw	> 60gf • cm		

(5)Temperature Condition:

Operating Temperature	-30°C ~ +70°C
Storage Temperature	-30°C ~ +80°C
(6)Input Power	> 0.5Watt

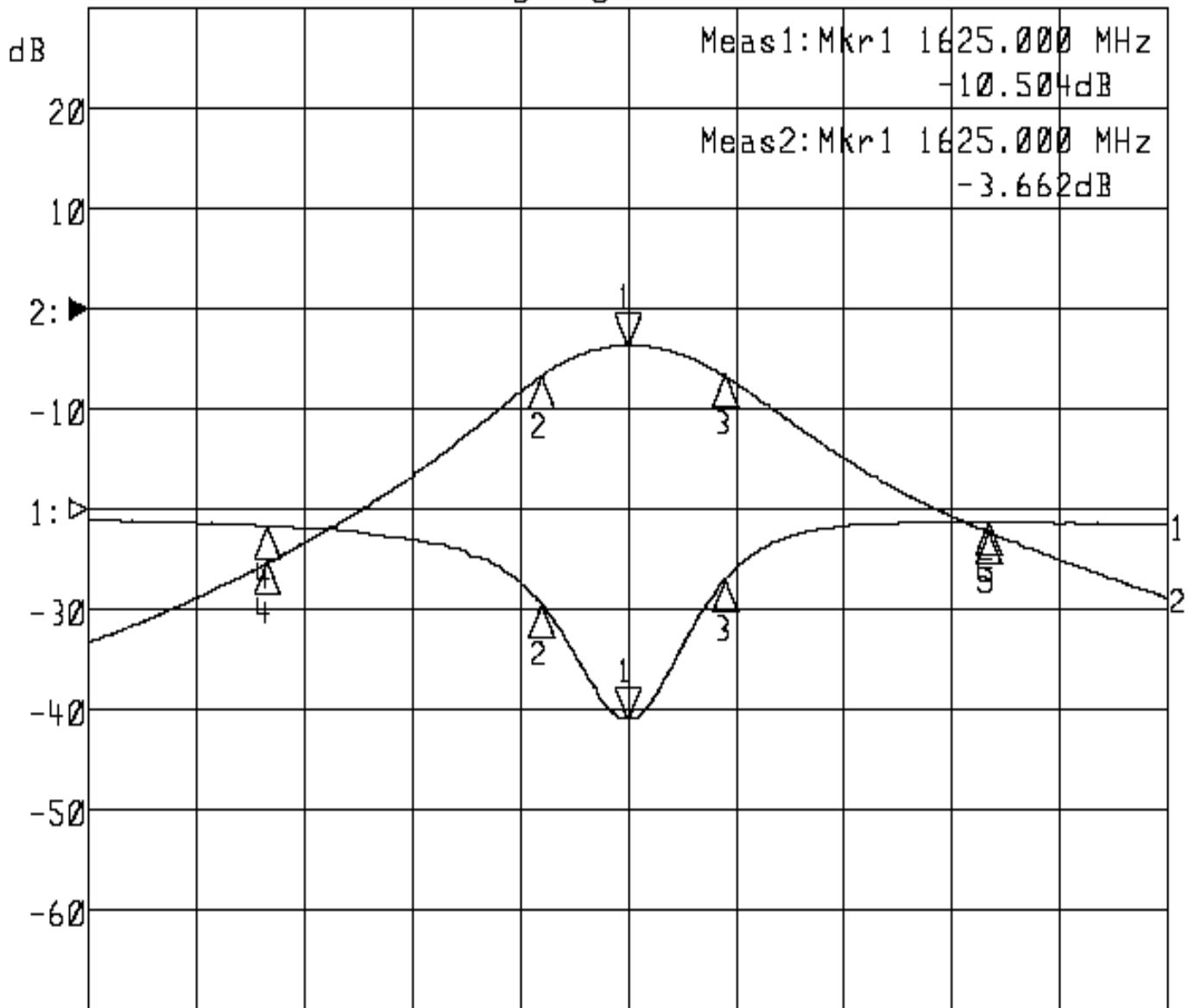
Approval	Supervisor	Designer	Aperture size
C.Y.Chang	C.S.Chang	C.S.Chang	5R2S(3.8*4.7)

TEMWELL CORPORATION

Performance-TDR2819B-1625M

20205069DC

▶1:S11 Refl Port1 Log Mag 5.0 dB/ Ref 0.00 dB C
▶2:S21 Fwd Trans Log Mag 10.0 dB/ Ref 0.00 dB C



Center 1 625.000 MHz

Span 300.000 MHz

1:Mkr (MHz)	dB	2:Mkr (MHz)	dB
1> 1625.0000	-10.504	1> 1625.0000	-3.662
2: 1601.2000	-4.765	2: 1601.2000	-6.627
3: 1651.7000	-3.547	3: 1651.7000	-6.623
4: 1525.0000	-0.849	4: 1525.0000	-25.361
5: 1725.0000	-0.676	5: 1725.0000	-22.220