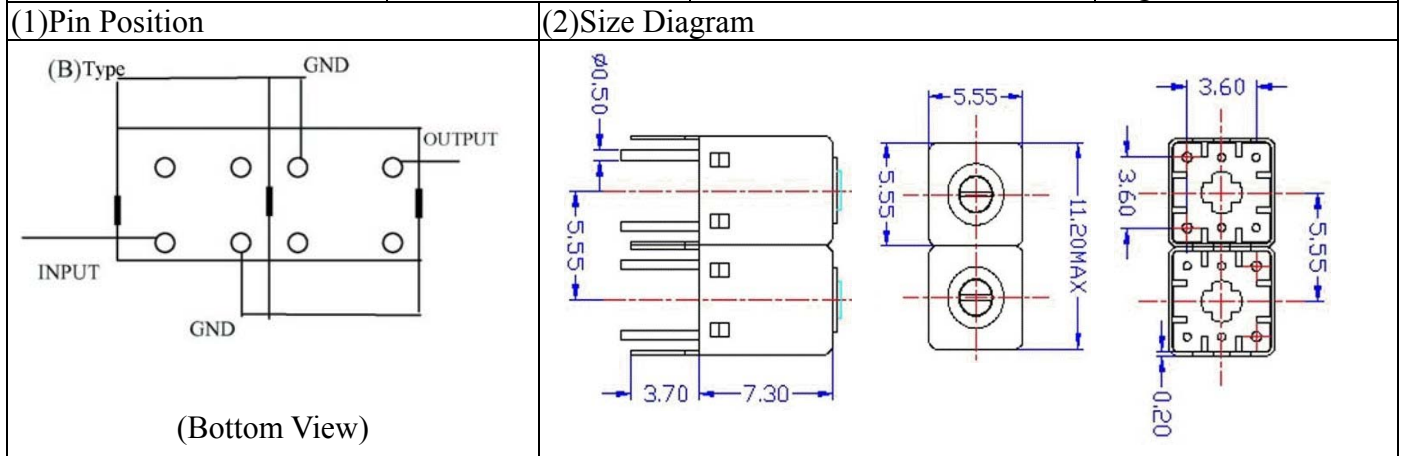


VHF UHF Helical Filter Specification Sheet

Customer Name		Temwell's Part No.	TDR2815B-1525M
Approval No. /dated	0806041CD	Temwell's print name.	2815B 1525M
Work Instruction No.	0806041CD	Date	Aug.13.2008



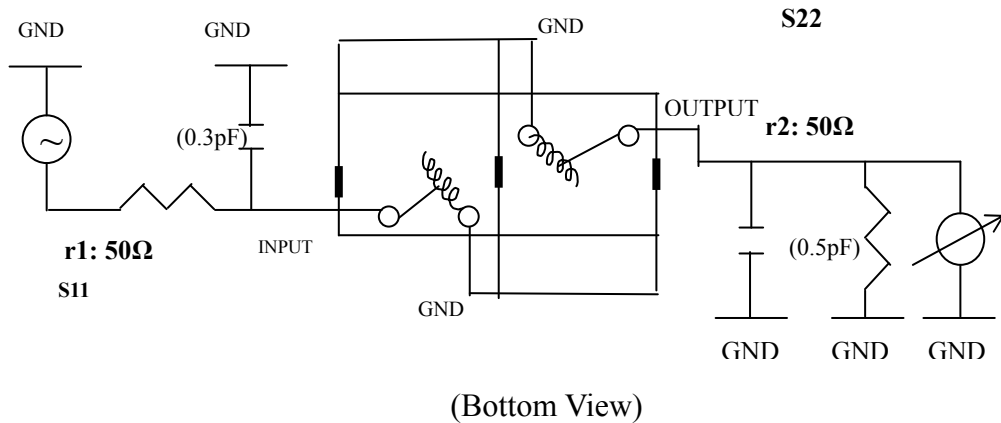
(3)Electric Charasteric		Item	Specify	Performance
Center Freq.(Fo) +/- 0.5			1525 MHz	1525 MHz
Tunable Range			1525±20 MHz	1525±20 MHz
Insertion Loss			Typ. 3.5 dB	2.07 dB
-3 dB Bandwidth			Typ. 59 MHz	64.0 MHz
Sensitivity (Attenuation)	Fo - 100 MHz	Typ.	17 dBc	18 dBc
	Fo + 100 MHz	Typ.	14 dBc	16 dBc
	Fo - ()MHz	Typ.	dBc	dBc
	Fo +()MHz	Typ.	dBc	dBc
Return Loss			Min. 12 dB	16.1 dB
Ripple			< 1 dB	dB
Impedance			In / Out : 50 Ω	In / Out : 50 Ω

(4)Torque for Tuning Screw > 100gf · cm

(5)Temperature Condition:
 Operating Temperature 0°C ~ +60°C
 Storage Temperature -20°C ~ +70°C

(6)Input Power >0.5Watt

(7)Measuring Circuit: ※Easy to match Impedance S11/S22 50Ω /by parallel with about (0.3pF)/(0.5pF).



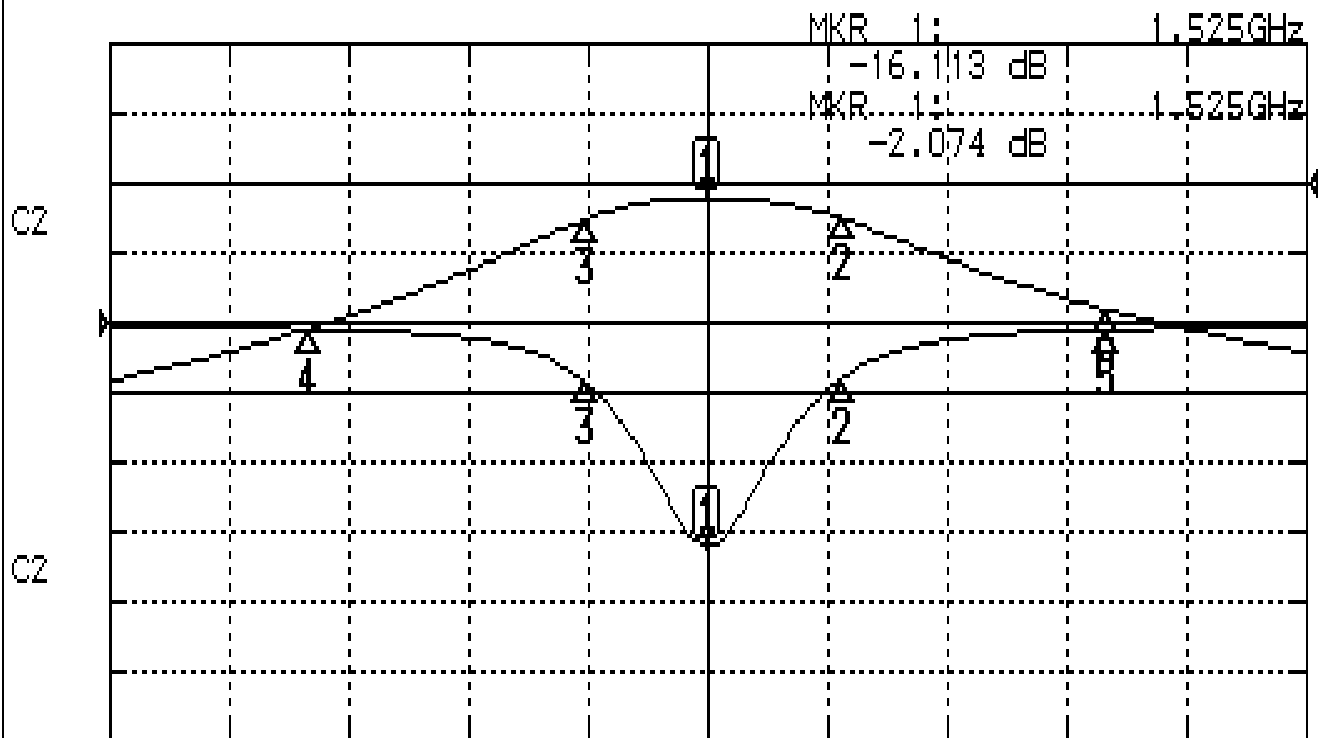
Approval	Supervisor	Designer	Aperture size
C.Y.Chang	C.S.Chang	C.H.Yeh	5R2S(3.8*4.7) 5HW024RB3

TEMWELL CORPORATION

Performance-TDR2815B-1525M

0806041CD

CH1 S11 LOG MAG REF 0.000 dB 5.000 dB/
CH2 S21 LOG MAG REF 0.000 dB 10.000 dB/



CENTER 1.525GHz

[10.00 dBm]

SPAN 300MHz

CH1 MARKER LIST

1:	1.525 000GHz	-16.113 dB
2:	1.558 500GHz	-4.003 dB
3:	1.494 500GHz	-4.255 dB
4:	1.425 000GHz	-0.465 dB
5:	1.625 000GHz	-0.514 dB

CH2 MARKER LIST

1:	1.525 000GHz	-2.074 dB
2:	1.558 500GHz	-5.037 dB
3:	1.494 500GHz	-5.119 dB
4:	1.425 000GHz	-20.826 dB
5:	1.625 000GHz	-18.122 dB