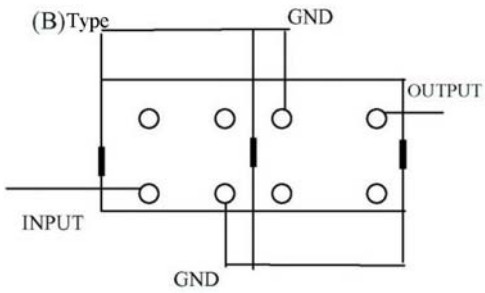
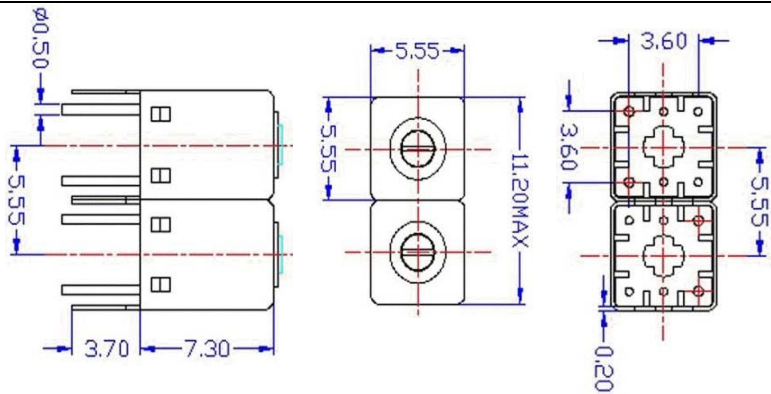


VHF UHF Helical Filter Specification Sheet

Customer Name		Temwell's Part No.	TDR2811B-1425M
Approval No. /dated	20204015DC	Acceptable Specify Fo. Range	1400~1450MHz
Work Instruction No.	20204015DC	Date	Apr.18.2002

(1)Pin Position	(2)Size Diagram
 <p>(Bottom View)</p>	

(3)Electric Character

Item	Specify	Performance	
Center Freq.(Fo) +/- 0.5 %	1425 MHz	1425 MHz	
Tunable Range:	1425±10 MHz	1425±10 MHz	
Insertion Loss	Typ. 3.5 dB	2.6 dB	
-3 dB Bandwidth	Typ. 32 MHz	45.8 MHz	
Sensitivity (Attenuation)	Fo - 100 MHz	Typ. 21 dBc	24 dBc
	Fo + 100 MHz	Typ. 19 dBc	22 dBc
	Fo - ()MHz	Typ. dBc	dBc
	Fo +()MHz	Typ. dBc	dBc
Return Loss	Min. 12 dB	15 dB	
Ripple	< 1 dB	dB	
Impedance	In / Out : 50 Ω	In / Out : 50 Ω	

(4)Torque for Tuning Screw	> 60gf • cm
----------------------------	-------------

(5)Temperature Condition:

Operating Temperature	-30°C ~ +70°C
Storage Temperature	-30°C ~ +80°C

(6)Input Power	> 0.5Watt
----------------	-----------

Approval	Supervisor	Designer	Aperture size
C.Y.Chang	C.S.Chang	C.S.Chang	5R2S(3.8*4.7)

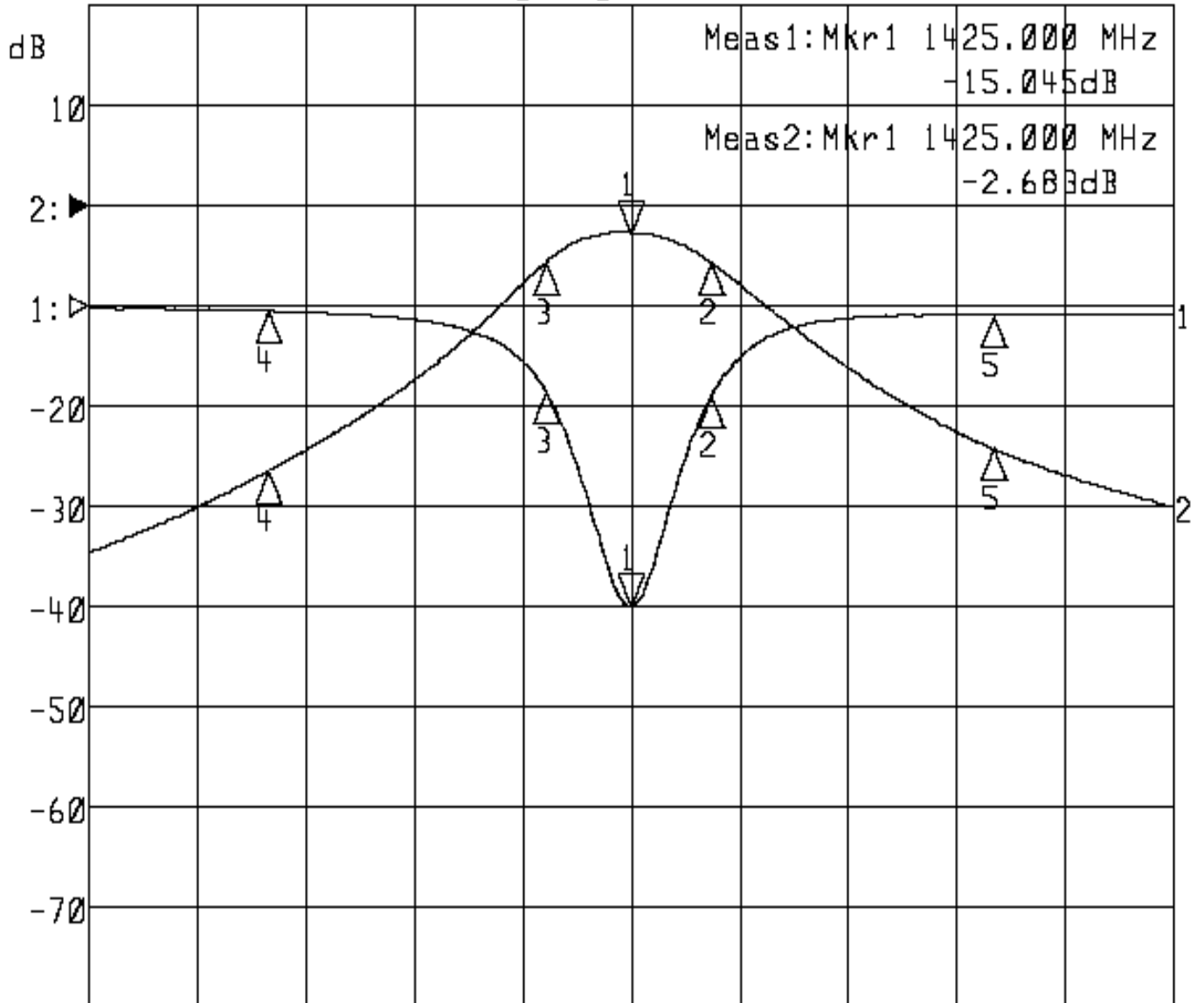
TEMWELL CORPORATION

Performance-TDR2811B-1425M

20204015DC

▷1:S11 Refl Port1 Log Mag 5.0 dB/ Ref 0.00 dB C

▶2:S21 Fwd Trans Log Mag 10.0 dB/ Ref 0.00 dB C



Center 1 425.000 MHz

Span 300.000 MHz

1: Mkr (MHz)	dB	2: Mkr (MHz)	dB
1 > 1425.0000	-15.045	1 > 1425.0000	-2.683
2: 1447.3000	-4.439	2: 1447.3000	-5.653
3: 1401.5000	-4.281	3: 1401.5000	-5.625
4: 1325.0000	-0.260	4: 1325.0000	-26.393
5: 1525.0000	-0.451	5: 1525.0000	-24.230