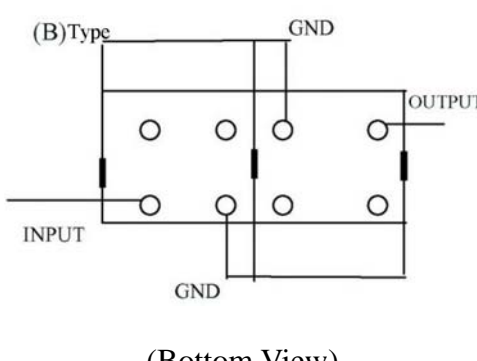
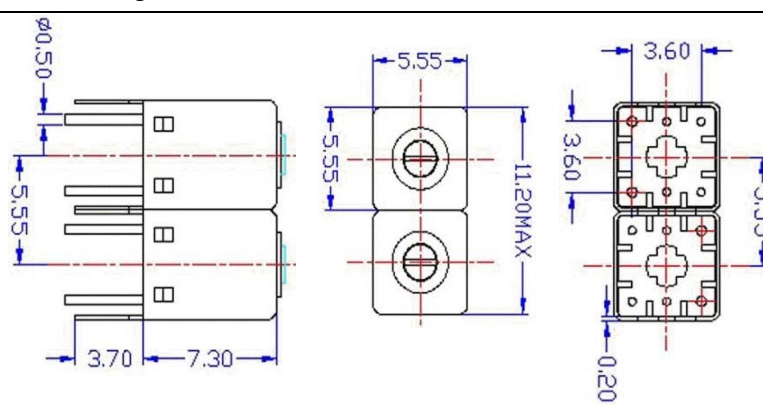


VHF UHF Helical Filter Specification Sheet

Customer Name		Temwell's Part No.	TDR2802B-1275M
Approval No. /dated	20204009DC	Acceptable Specify Fo. Range	1250~1300MHz
Work Instruction No.	20204009DC	Date	Apr.17.2002

(1)Pin Position	(2)Size Diagram
 <p>(B)Type</p> <p>INPUT</p> <p>GND</p> <p>GND</p> <p>OUTPUT</p> <p>(Bottom View)</p>	 <p>Dimensions: $\phi 0.50$, 5.55, 3.70, 7.30, 5.55, 11.20MAX, 3.60, 0.20</p>

(3)Electric Character

Item	Specify	Performance	
Center Freq.(Fo) +/- 0.5 %	1275 MHz	1275 MHz	
Tunable Range:	1275±20 MHz	1275±20 MHz	
Insertion Loss	Typ. 3.0 dB	2.3 dB	
-3 dB Bandwidth	Typ. 29 MHz	41.7 MHz	
Sensitivity (Attenuation)	Fo - 100 MHz	Typ. 24 dBc	27 dBc
	Fo + 100 MHz	Typ. 21 dBc	24 dBc
	Fo - ()MHz	Typ. dBc	dBc
	Fo +()MHz	Typ. dBc	dBc
Return Loss	Min. 12 dB	30 dB	
Ripple	< 1 dB	dB	
Impedance	In / Out : 50 Ω	In / Out : 50 Ω	
(4)Torque for Tuning Screw	> 60gf • cm		

(5)Temperature Condition:

Operating Temperature	-30°C ~ +70°C
Storage Temperature	-30°C ~ +80°C

(6)Input Power

	> 0.5Watt
--	-----------

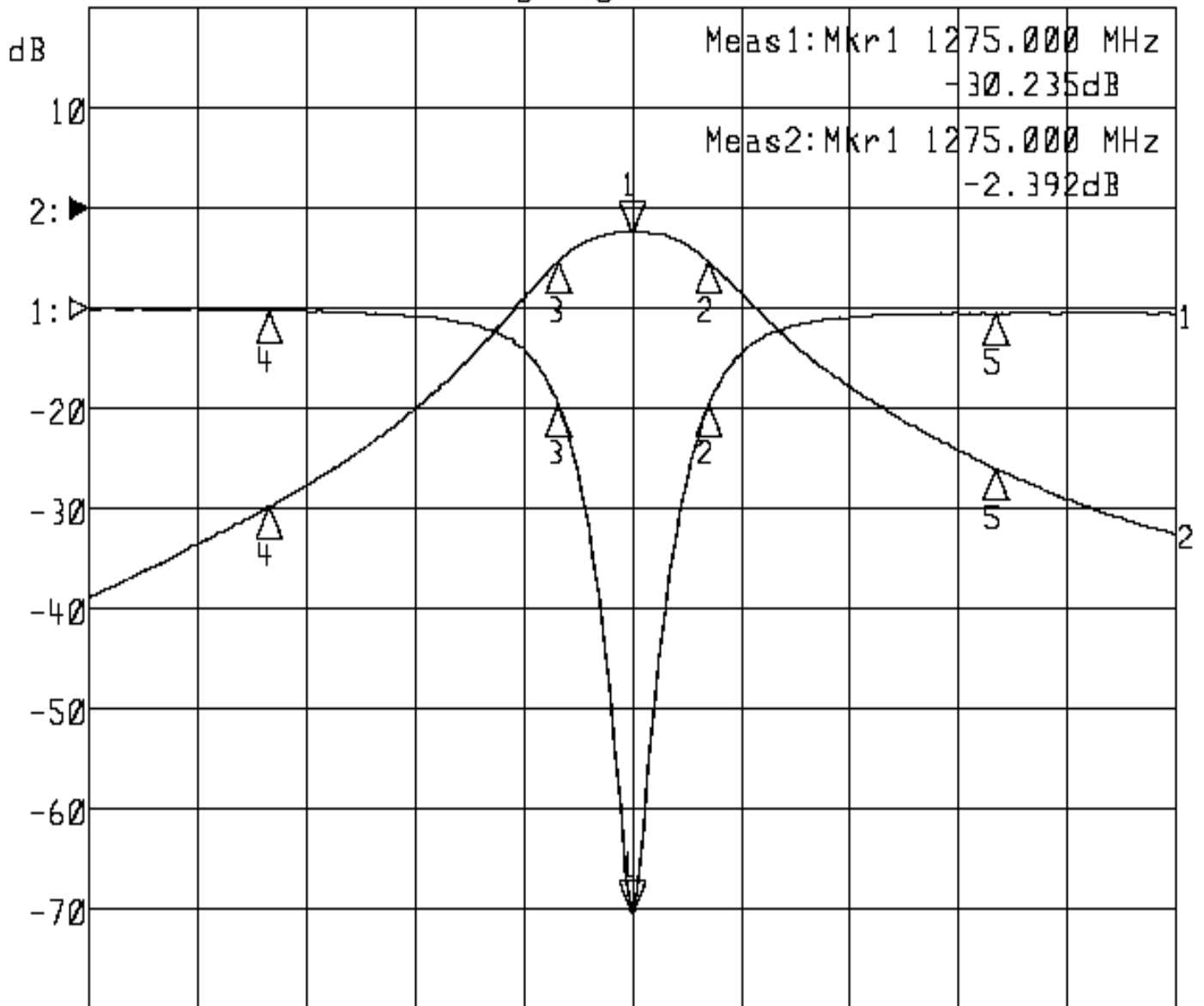
Approval	Supervisor	Designer	Aperture size
C.Y.Chang	C.S.Chang	C.S.Chang	5R2S(3.8*4.7)

TEMWELL CORPORATION

Performance-TDR2802B-1275M

20204009DC

▶1:S11 Refl Port1 Log Mag 5.0 dB/ Ref 0.00 dB C
▶2:S21 Fwd Trans Log Mag 10.0 dB/ Ref 0.00 dB C



Center 1 275.000 MHz

Span 300.000 MHz

1:Mkr (MHz)	dB	2:Mkr (MHz)	dB
1> 1275.0000	-30.235	1> 1275.0000	-2.392
2: 1296.2000	-4.784	2: 1296.2000	-5.370
3: 1254.5000	-4.736	3: 1254.5000	-5.334
4: 1175.0000	-0.116	4: 1175.0000	-29.763
5: 1375.0000	-0.290	5: 1375.0000	-25.969