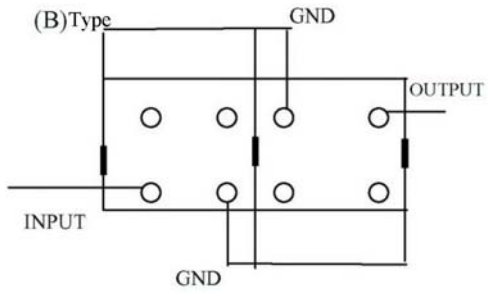
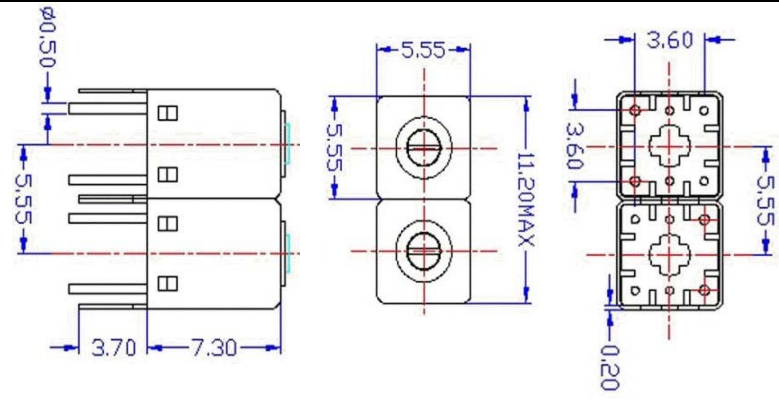


VHF UHF Helical Filter Specification Sheet

Customer Name		Temwell's Part No.	TDR2795B-1125M
Approval No. /dated	20201114DC	Acceptable Specify Fo. Range	1100~1150MHz
Work Instruction No.	20201114DC	Date	Feb.01.2002

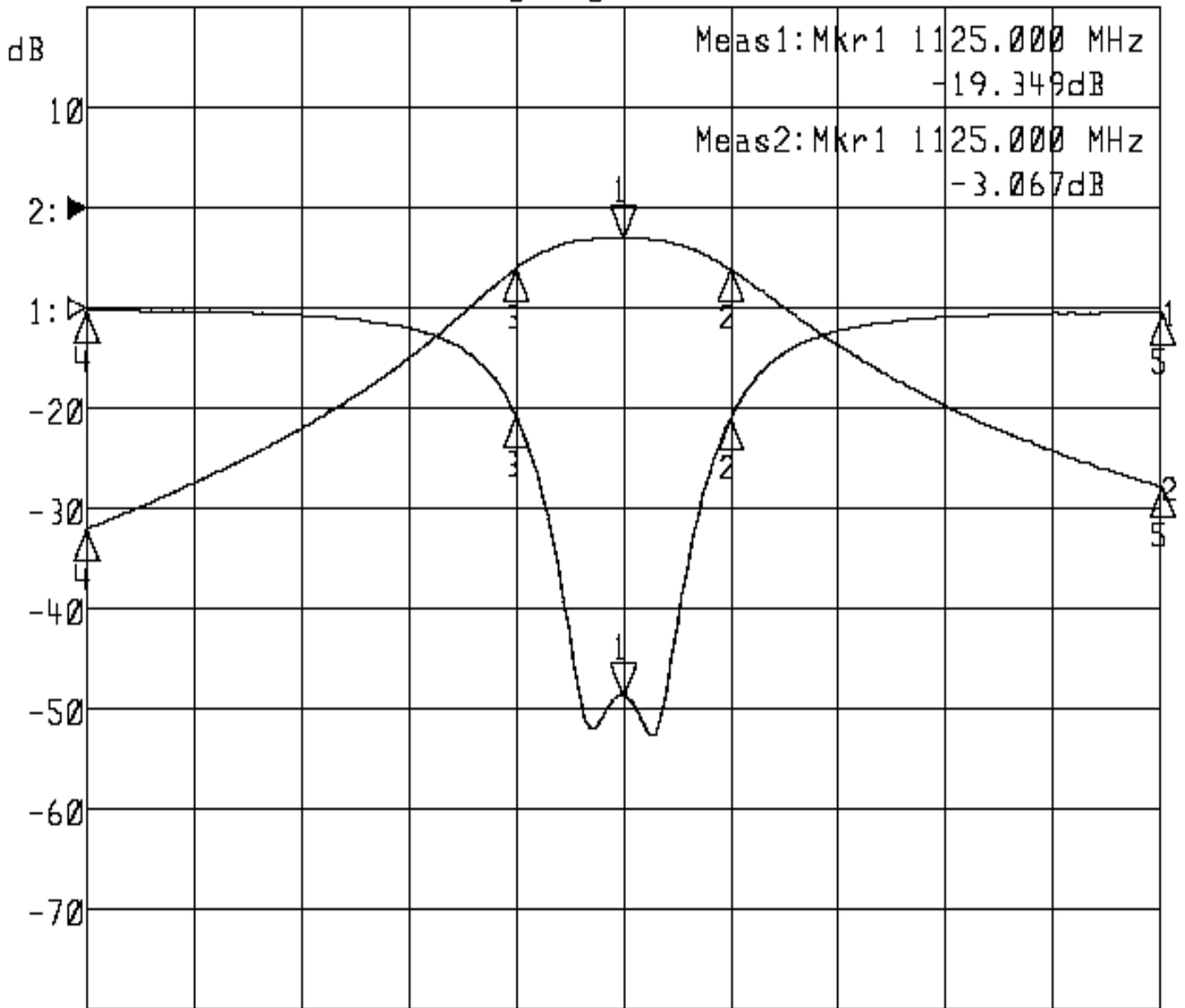
<p>(1)Pin Position</p>  <p style="text-align: center;">(Bottom View)</p>	<p>(2)Size Diagram</p> 
---	---

(3)Electric Character			
Item	Specify	Performance	
Center Freq.(Fo) +/- 0.5 %	1125 MHz	1125 MHz	
Tunable Range:	1125±15 MHz	1125±15 MHz	
Insertion Loss	Typ. 4.0 dB	3.0 dB	
-3 dB Bandwidth	Typ. 29 MHz	40 MHz	
Sensitivity (Attenuation)	Fo - 100 MHz	Typ. 26 dBc	29 dBc
	Fo + 100 MHz	Typ. 22 dBc	25 dBc
	Fo - ()MHz	Typ. dBc	dBc
	Fo +()MHz	Typ. dBc	dBc
Return Loss	Min. 12 dB	19 dB	
Ripple	< 1 dB	dB	
Impedance	In / Out : 50 Ω	In / Out : 50 Ω	
(4)Torque for Tuning Screw		> 60gf • cm	
(5)Temperature Condition:			
Operating Temperature		-30°C ~ +70°C	
Storage Temperature		-30°C ~ +80°C	
(6)Input Power		> 0.5Watt	
Approval	Supervisor	Designer	Aperture size
C.Y.Chang	C.S.Chang	C.S.Chang	5R2S(3.8*4.2)
TEMWELL CORPORATION			

Performance-TDR2795B-1125M

20201114DC

▶1: S11 Refl Port1 Log Mag 5.0 dB/ Ref 0.00 dB C
▶2: S21 Fwd Trans Log Mag 10.0 dB/ Ref 0.00 dB C



Center 1 125.000 MHz

Span 200.000 MHz

1: Mkr (MHz)	dB	2: Mkr (MHz)	dB
1> 1125.0000	-19.349	1> 1125.0000	-3.067
2: 1145.0000	-5.472	2: 1145.0000	-6.103
3: 1105.0667	-5.349	3: 1105.0667	-6.051
4: 1025.0000	-0.097	4: 1025.0000	-31.993
5: 1225.0000	-0.228	5: 1225.0000	-27.754