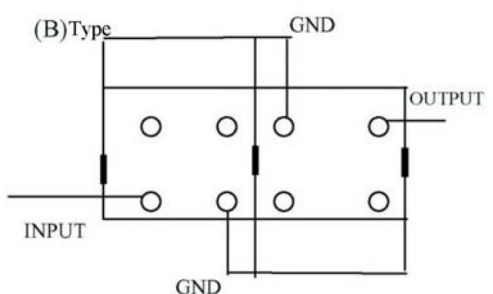
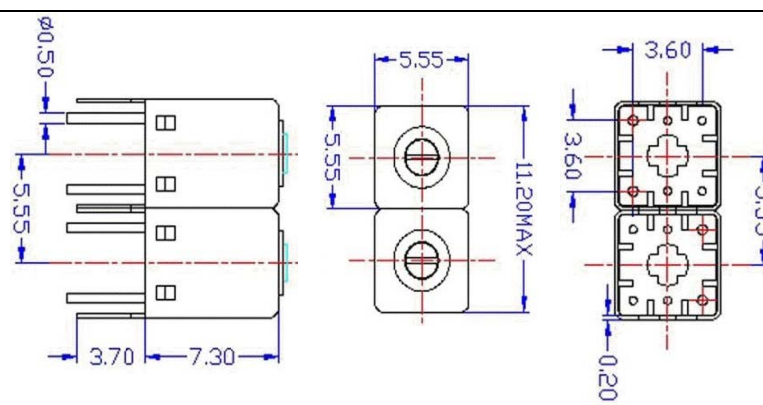


VHF UHF Helical Filter Specification Sheet

Customer Name		Temwell's Part No.	TDR2793B-1075M
Approval No. /dated	20201112DC	Acceptable Specify Fo. Range	1050~1100MHz
Work Instruction No.	20201112DC	Date	Feb.01.2002

<p>(1)Pin Position</p>  <p style="text-align: center;">(Bottom View)</p>	<p>(2)Size Diagram</p> 
---	---

(3)Electric Character

Item	Specify	Performance	
Center Freq.(Fo) +/- 0.5 %	1075 MHz	1075 MHz	
Tunable Range:	1075±15 MHz	1075±15 MHz	
Insertion Loss	Typ. 4.0 dB	3.0 dB	
-3 dB Bandwidth	Typ. 30 MHz	40.6 MHz	
Sensitivity (Attenuation)	Fo - 100 MHz	Typ. 24 dBc	27 dBc
	Fo + 100 MHz	Typ. 19 dBc	22 dBc
	Fo - ()MHz	Typ. dBc	dBc
	Fo +()MHz	Typ. dBc	dBc
Return Loss	Min. 12 dB	23 dB	
Ripple	< 1 dB	dB	
Impedance	In / Out : 50 Ω	In / Out : 50 Ω	

(4)Torque for Tuning Screw > 60gf • cm

(5)Temperature Condition:

Operating Temperature	-30℃ ~ +70℃
Storage Temperature	-30℃ ~ +80℃

(6)Input Power > 0.5Watt

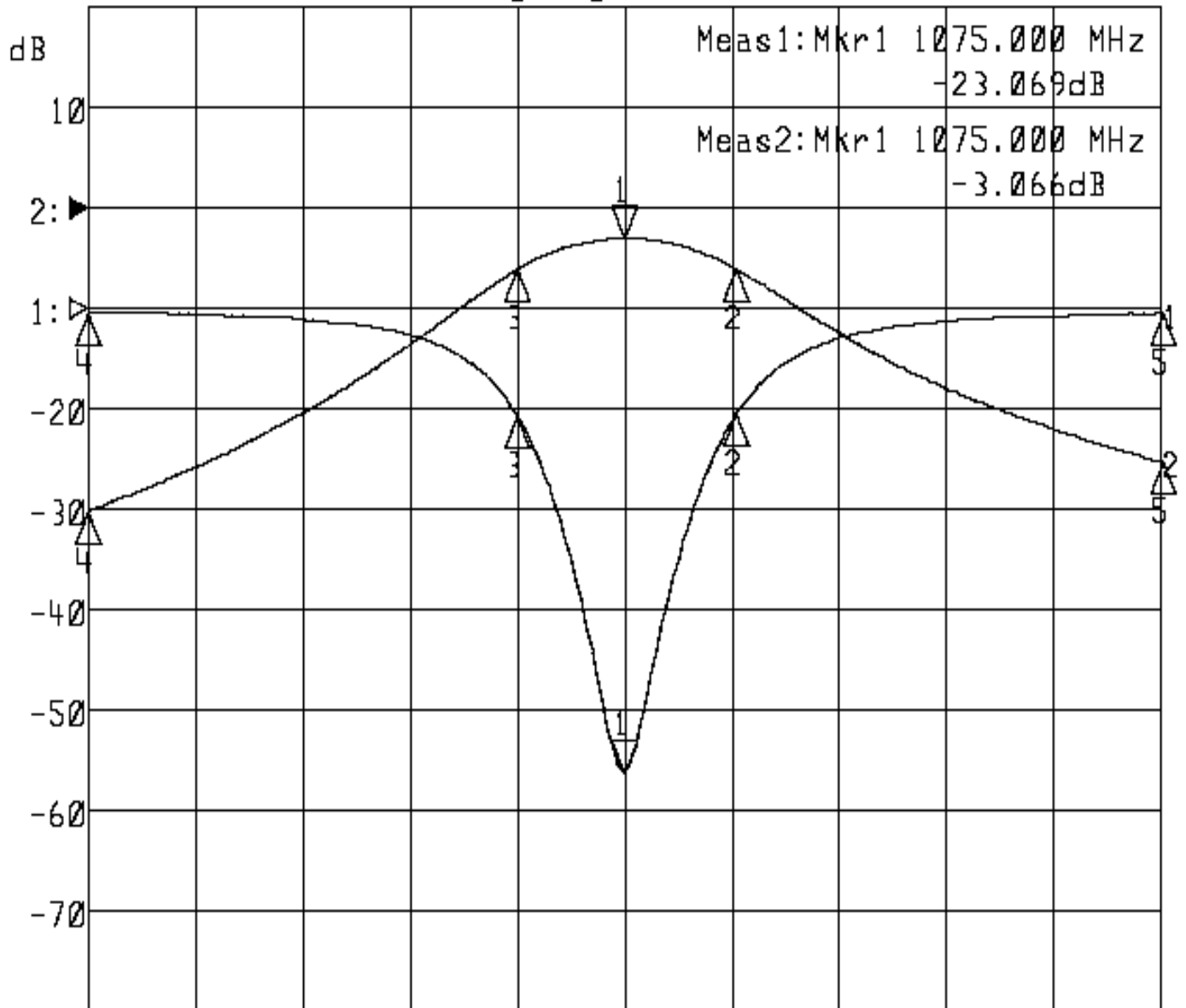
Approval	Supervisor	Designer	Aperture size
C.Y.Chang	C.S.Chang	C.S.Chang	5R2S(3.8*4.2)

TEMWELL CORPORATION

Performance-TDR2793B-1075M

20201112DC

▶1:S11 Refl Port1 Log Mag 5.0 dB/ Ref 0.00 dB C
▶2:S21 Fwd Trans Log Mag 10.0 dB/ Ref 0.00 dB C



Center 1 075.000 MHz

Span 200.000 MHz

1: Mkr (MHz)	dB	2: Mkr (MHz)	dB
1> 1075.0000	-23.069	1> 1075.0000	-3.066
2: 1095.8000	-5.290	2: 1095.8000	-6.075
3: 1055.2000	-5.404	3: 1055.2000	-6.038
4: 975.0000	-0.190	4: 975.0000	-30.174
5: 1175.0000	-0.269	5: 1175.0000	-25.303