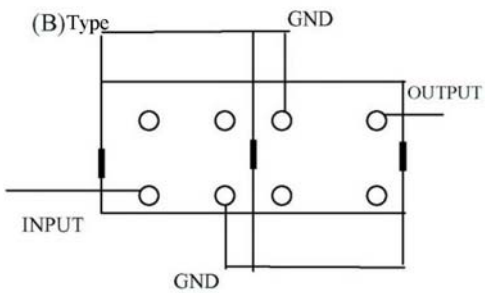
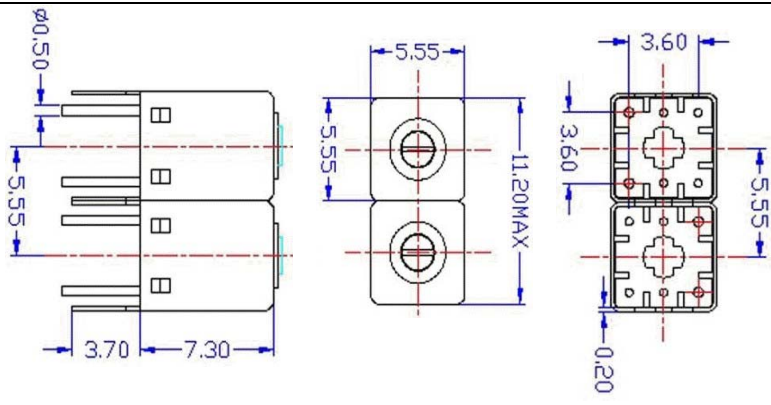


VHF UHF Helical Filter Specification Sheet

Customer Name		Temwell's Part No.	TDR2791B-1025M
Approval No. /dated	20201110DC	Acceptable Specify Fo. Range	1000~1025MHz
Work Instruction No.	20201110DC	Date	Feb.01.2002

(1)Pin Position	(2)Size Diagram
 <p>(Bottom View)</p>	

(3)Electric Character

Item	Specify	Performance	
Center Freq.(Fo) +/- 0.5 %	1025 MHz	1025 MHz	
Tunable Range:	1025±15 MHz	1025±15 MHz	
Insertion Loss	Typ. 3.0 dB	2.4 dB	
-3 dB Bandwidth	Typ. 27 MHz	37.1 MHz	
Sensitivity (Attenuation)	Fo - 100 MHz	Typ. 27 dBc	30 dBc
	Fo + 100 MHz	Typ. 22 dBc	25 dBc
	Fo - ()MHz	Typ. dBc	dBc
	Fo +()MHz	Typ. dBc	dBc
Return Loss	Min. 12 dB	25 dB	
Ripple	< 1 dB	dB	
Impedance	In / Out : 50 Ω	In / Out : 50 Ω	
(4)Torque for Tuning Screw	> 60gf • cm		

(5)Temperature Condition:

Operating Temperature	-30°C ~ +70°C
Storage Temperature	-30°C ~ +80°C
(6)Input Power	> 0.5Watt

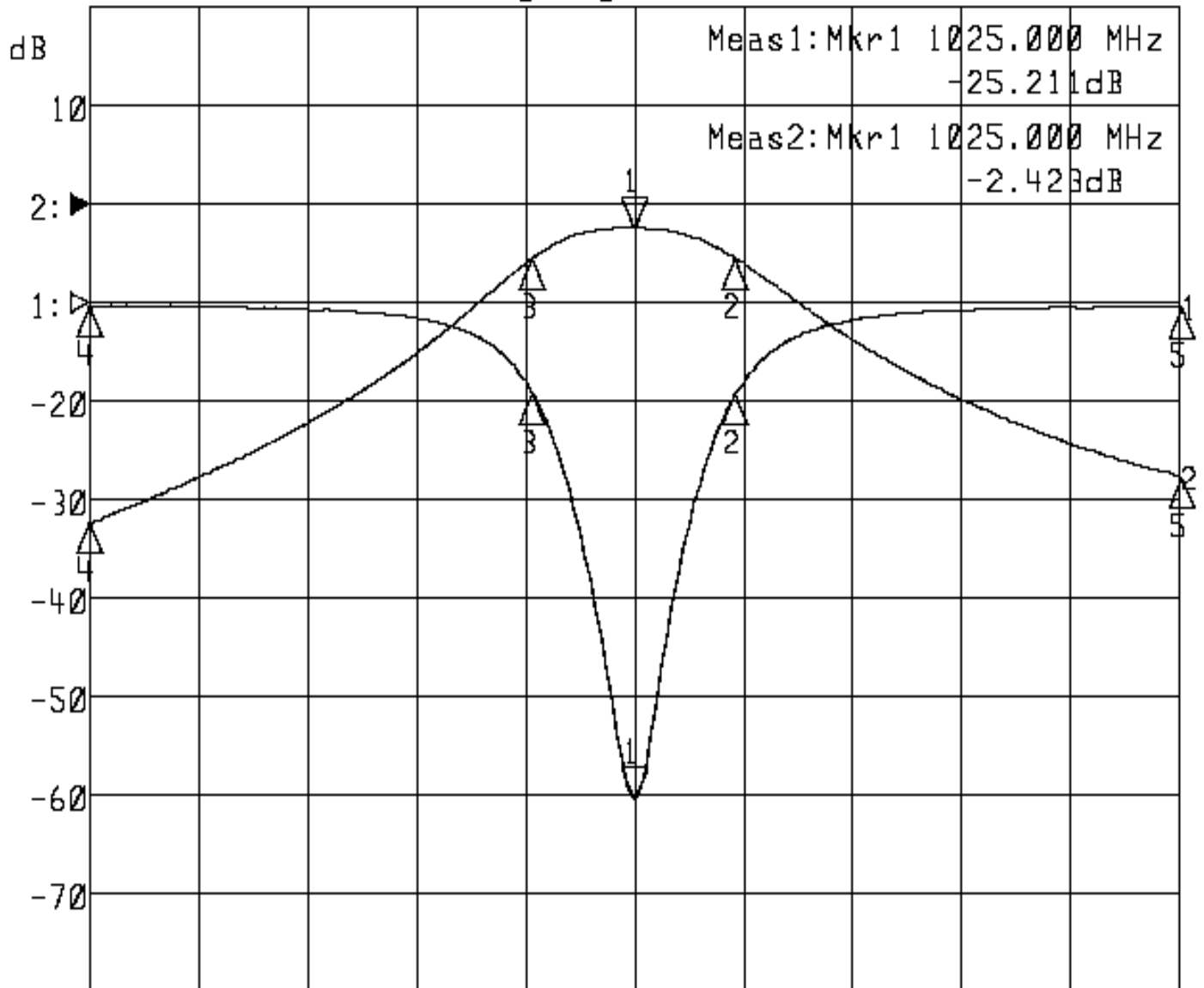
Approval	Supervisor	Designer	Aperture size
C.Y.Chang	C.S.Chang	C.S.Chang	5R2S(3.8*4.2)

TEMWELL CORPORATION

Performance-TDR2791B-1025M

20201110DC

▷1:S11 Refl Port1 Log Mag 5.0 dB/ Ref 0.00 dB C
▼2:S21 Fwd Trans Log Mag 10.0 dB/ Ref 0.00 dB C



Center 1 025.000 MHz

Span 200.000 MHz

1:Mkr (MHz)	dB	2:Mkr (MHz)	dB
1> 1025.0000	-25.211	1> 1025.0000	-2.423
2: 1043.5333	-4.676	2: 1043.5333	-5.436
3: 1006.4000	-4.600	3: 1006.4000	-5.426
4: 925.0000	-0.168	4: 925.0000	-32.368
5: 1125.0000	-0.225	5: 1125.0000	-27.662