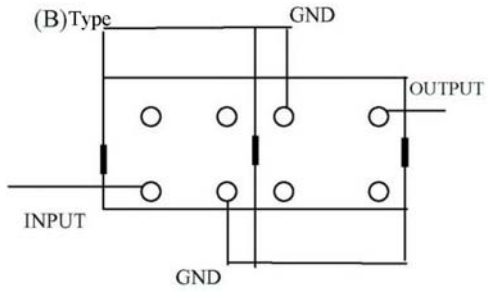
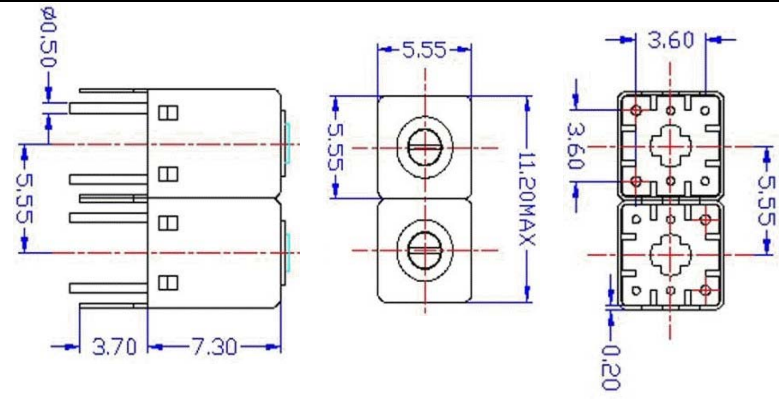


VHF UHF Helical Filter Specification Sheet

Customer Name		Temwell's Part No.	TDR2775B-1275M
Approval No. /dated	20201120DC	Acceptable Specify Fo. Range	1250~1300MHz
Work Instruction No.	20201120DC	Date	Feb.04.2002

(1)Pin Position	(2)Size Diagram
 <p>(B)Type</p> <p>INPUT</p> <p>OUTPUT</p> <p>GND</p> <p>GND</p> <p>(Bottom View)</p>	 <p>Dimensions: $\phi 0.50$, 5.55, 3.70, 7.30, 5.55, 11.20MAX, 3.60, 3.60, 0.20, 5.55</p>

(3)Electric Character

Item	Specify	Performance	
Center Freq.(Fo) +/- 0.5 %	1275 MHz	1275 MHz	
Tunable Range:	1275±20 MHz	1275±20 MHz	
Insertion Loss	Typ. 4.0 dB	3.0 dB	
-3 dB Bandwidth	Typ. 25 MHz	38.1 MHz	
Sensitivity (Attenuation)	Fo - 100 MHz	Typ. 25 dBc	28 dBc
	Fo + 100 MHz	Typ. 20 dBc	23 dBc
	Fo - ()MHz	Typ. dBc	dBc
	Fo +()MHz	Typ. dBc	dBc
Return Loss	Min. 12 dB	16 dB	
Ripple	< 1 dB	dB	
Impedance	In / Out : 50 Ω	In / Out : 50 Ω	
(4)Torque for Tuning Screw	> 60gf • cm		

(5)Temperature Condition:

Operating Temperature	-30°C ~ +70°C
Storage Temperature	-30°C ~ +80°C
(6)Input Power	> 0.5Watt

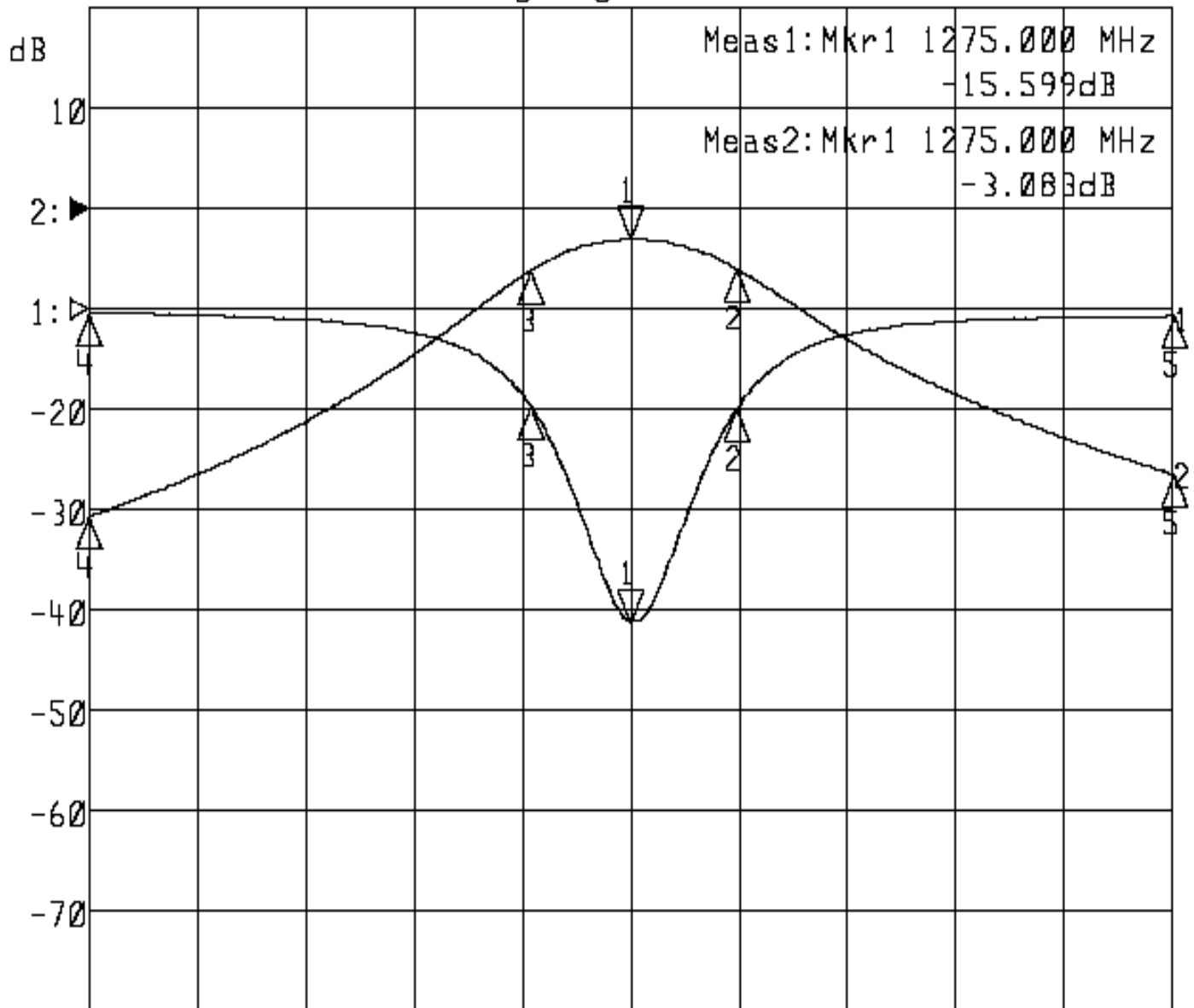
Approval	Supervisor	Designer	Aperture size
C.Y.Chang	C.S.Chang	C.S.Chang	5R2S(3.8*4.2)

TEMWELL CORPORATION

Performance-TDR2775B-1275M

20201120DC

►1:S11 Refl Port1 Log Mag 5.0 dB/ Ref 0.00 dB C
►2:S21 Fwd Trans Log Mag 10.0 dB/ Ref 0.00 dB C



Center 1 275.000 MHz

Span 200.000 MHz

1:Mkr (MHz)	dB	2:Mkr (MHz)	dB
1> 1275.0000	-15.599	1> 1275.0000	-3.083
2: 1294.7333	-4.954	2: 1294.7333	-6.011
3: 1256.6000	-4.834	3: 1256.6000	-6.189
4: 1175.0000	-0.216	4: 1175.0000	-30.729
5: 1375.0000	-0.381	5: 1375.0000	-26.440