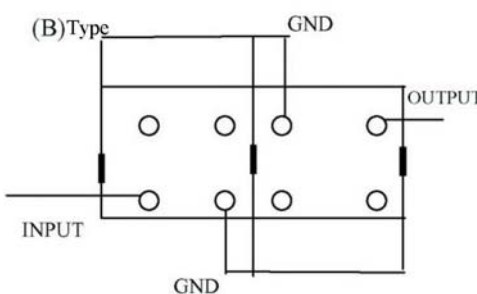
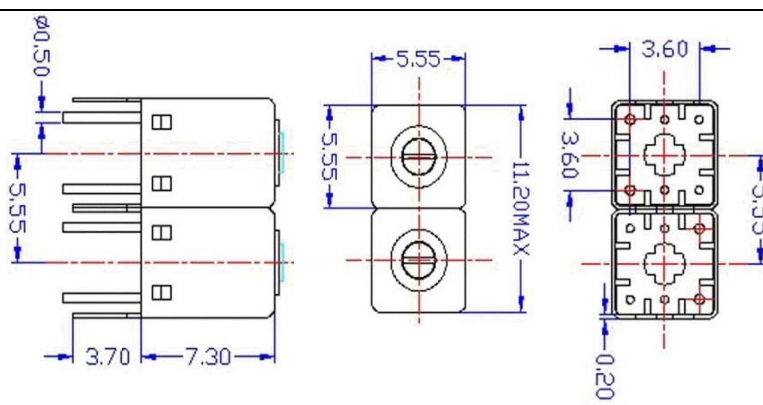


VHF UHF Helical Filter Specification Sheet

Customer Name		Temwell's Part No.	TDR2702B-775M
Approval No. /dated	20204055DC	Acceptable Specify Fo. Range	750~800MHz
Work Instruction No.	20204055DC	Date	Aug.02.2002

(1)Pin Position	(2)Size Diagram
 <p>(Bottom View)</p>	

(3)Electric Character

Item	Specify	Performance	
Center Freq.(Fo) +/- 0.5 %	775 MHz	775 MHz	
Tunable Range:	775±10 MHz	775±10 MHz	
Insertion Loss	Typ. 7.0 dB	6.1 dB	
-3 dB Bandwidth	Typ. 16 MHz	23.7 MHz	
Sensitivity (Attenuation)	Fo - 50 MHz	Typ. 22 dBc	25 dBc
	Fo + 50 MHz	Typ. 18 dBc	21 dBc
	Fo - ()MHz	Typ. dBc	dBc
	Fo +()MHz	Typ. dBc	dBc
Return Loss	Min. 12 dB	33 dB	
Ripple	< 1 dB	dB	
Impedance	In / Out : 50 Ω	In / Out : 50 Ω	

(4)Torque for Tuning Screw > 60gf • cm

(5)Temperature Condition:

Operating Temperature	-30°C ~ +70°C
Storage Temperature	-30°C ~ +80°C

(6)Input Power > 0.5Watt

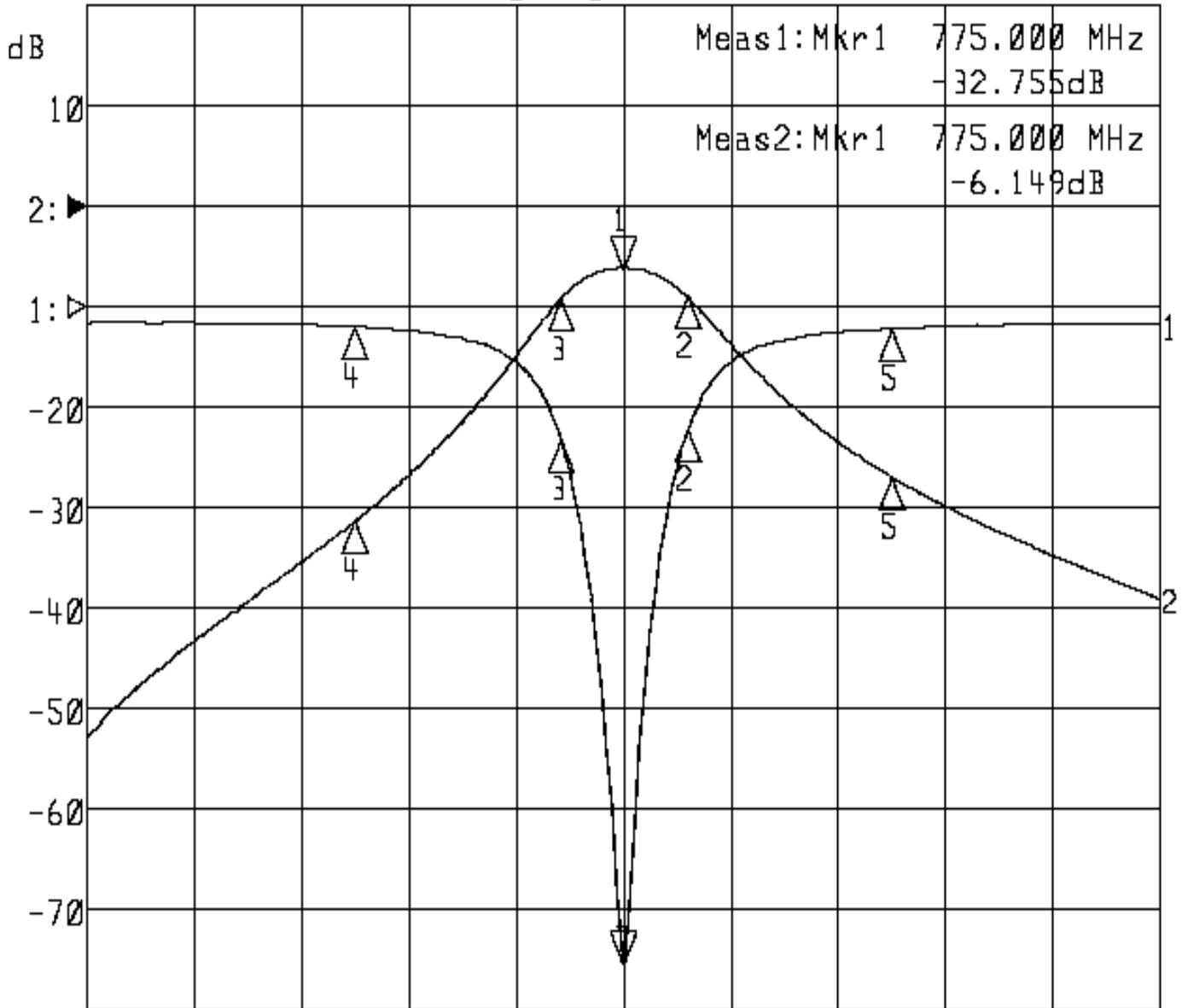
Approval	Supervisor	Designer	Aperture size
C.Y.Chang	C.S.Chang	C.S.Chang	5R2S(3.8*3.7)

TEMWELL CORPORATION

Performance-TDR2702B-775M

20204055DC

▶1:S11 Refl Port1 Log Mag 5.0 dB/ Ref 0.00 dB
▶2:S12 Rev Trans Log Mag 10.0 dB/ Ref 0.00 dB



Center 775.000 MHz

Span 200.000 MHz

1:Mkr (MHz)	dB	2:Mkr (MHz)	dB
1> 775.0000	-32.755	1> 775.0000	-6.149
2: 787.1333	-6.086	2: 787.1333	-9.108
3: 763.4667	-6.652	3: 763.4667	-9.144
4: 725.0000	-1.011	4: 725.0000	-31.361
5: 825.0000	-1.077	5: 825.0000	-26.905