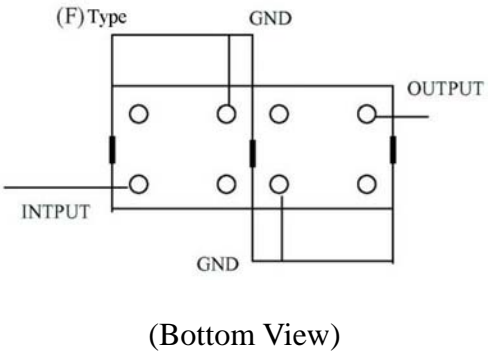
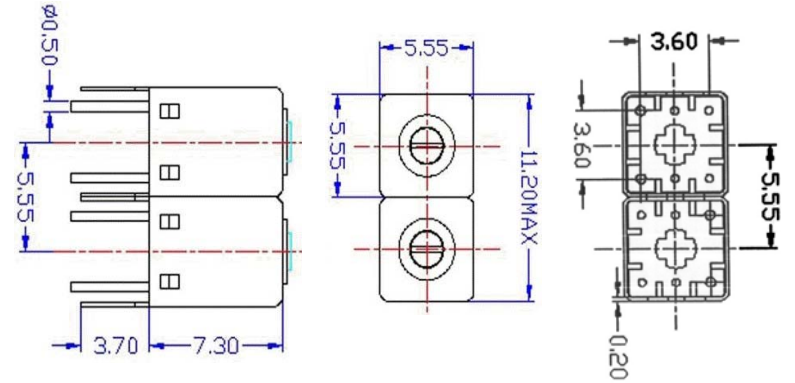


VHF UHF Helical Filter Specification Sheet

Customer Name		Temwell's Part No.	TDR2674F-625M
Approval No. /dated	20201128DC	Acceptable Specify Fo. Range	600~650MHz
Work Instruction No.	20201128DC	Date	Jan.30.2002

<p>(1)Pin Position</p>  <p style="text-align: center;">(Bottom View)</p>	<p>(2)Size Diagram</p> 
---	---

(3)Electric Character

Item	Specify	Performance	
Center Freq.(Fo) +/- 0.5 %	625 MHz	625 MHz	
Tunable Range:	625±10 MHz	625±10 MHz	
Insertion Loss	Typ. 2.5 dB	1.5 dB	
-3 dB Bandwidth	Typ. 30 MHz	35.9 MHz	
Sensitivity (Attenuation)	Fo - 50 MHz	Typ. 12 dBc	15 dBc
	Fo + 50 MHz	Typ. 14 dBc	17 dBc
	Fo - ()MHz	Typ. dBc	dBc
	Fo +()MHz	Typ. dBc	dBc
Return Loss	Min. 12 dB	15 dB	
Ripple	< 1 dB	dB	
Impedance	In / Out : 50 Ω	In / Out : 50 Ω	
(4)Torque for Tuning Screw	> 60gf • cm		

(5)Temperature Condition:

Operating Temperature	-30°C ~ +70°C
Storage Temperature	-30°C ~ +80°C

(6)Input Power

	> 0.5Watt
--	-----------

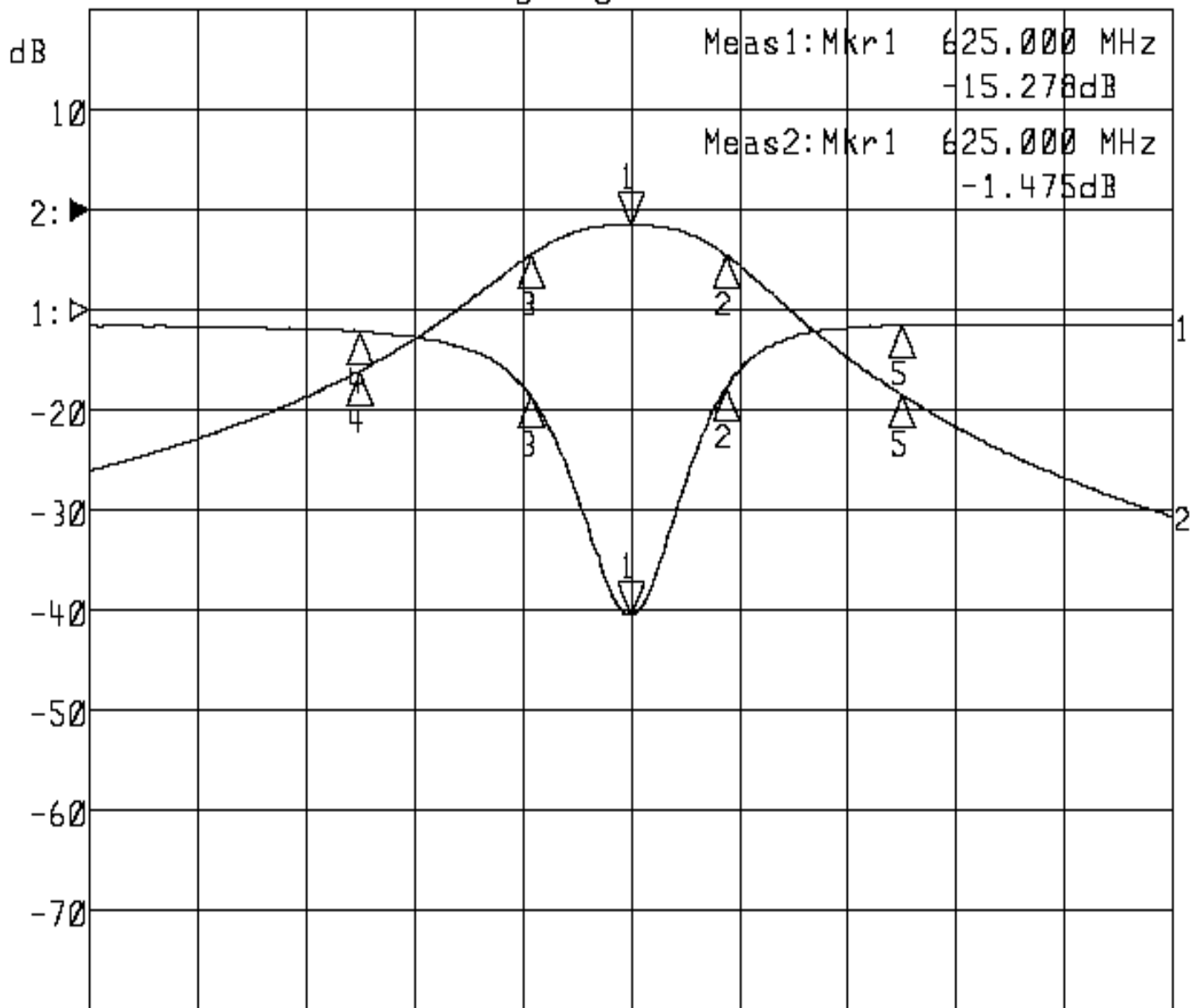
Approval	Supervisor	Designer	Aperture size
C.Y.Chang	C.S.Chang	C.S.Chang	5R2S(3.8*4.2)

TEMWELL CORPORATION

Performance-TDR2674F-625M

20201128DC

▶1:S11 Refl Port1 Log Mag 5.0 dB/ Ref 0.00 dB C
 ▶2:S21 Fwd Trans Log Mag 10.0 dB/ Ref 0.00 dB C



Center 625.000 MHz

Span 200.000 MHz

1: Mkr (MHz)	dB	2: Mkr (MHz)	dB
1> 625.0000	-15.278	1> 625.0000	-1.475
2: 642.4667	-3.927	2: 642.4667	-4.424
3: 606.5333	-4.286	3: 606.5333	-4.429
4: 575.0000	-1.121	4: 575.0000	-16.142
5: 675.0000	-0.777	5: 675.0000	-18.459