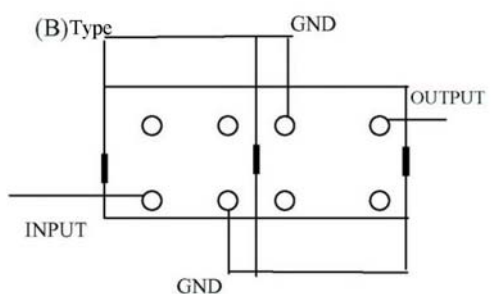
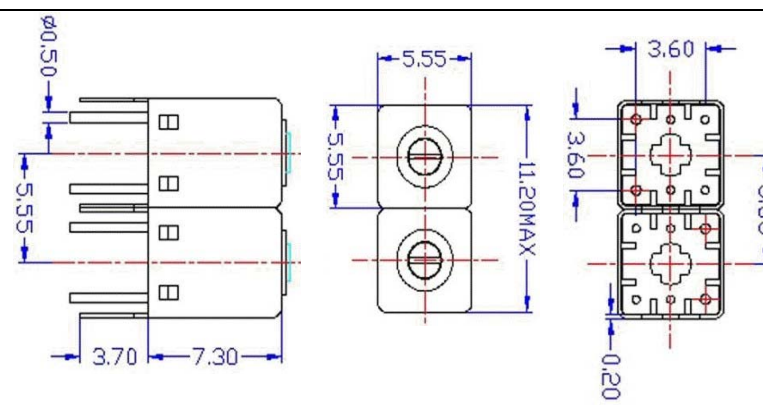


VHF UHF Helical Filter Specification Sheet

Customer Name		Temwell's Part No.	TDR2671B-612M
Approval No. /dated	20204028DC	Acceptable Specify Fo. Range	600~650MHz
Work Instruction No.	20204028DC	Date	Apr.10.2002

<p>(1)Pin Position</p>  <p style="text-align: center;">(Bottom View)</p>	<p>(2)Size Diagram</p> 
---	---

(3)Electric Character

Item	Specify	Performance
Center Freq.(Fo) +/- 0.5 %	612 MHz	612 MHz
Tunable Range:	612±10 MHz	612±10 MHz
Insertion Loss	Typ. 3.0 dB	2.3 dB
-3 dB Bandwidth	Typ. 22 MHz	27.9 MHz
Sensitivity (Attenuation)	Fo - 50 MHz	Typ. 21 dBc
	Fo + 50 MHz	Typ. 15 dBc
	Fo - ()MHz	Typ. dBc
	Fo +()MHz	Typ. dBc
Return Loss	Min. 12 dB	21 dB
Ripple	< 1 dB	dB
Impedance	In / Out : 50 Ω	In / Out : 50 Ω

(4)Torque for Tuning Screw > 60gf · cm

(5)Temperature Condition:

Operating Temperature	-30°C ~ +70°C
Storage Temperature	-30°C ~ +80°C

(6)Input Power > 0.5Watt

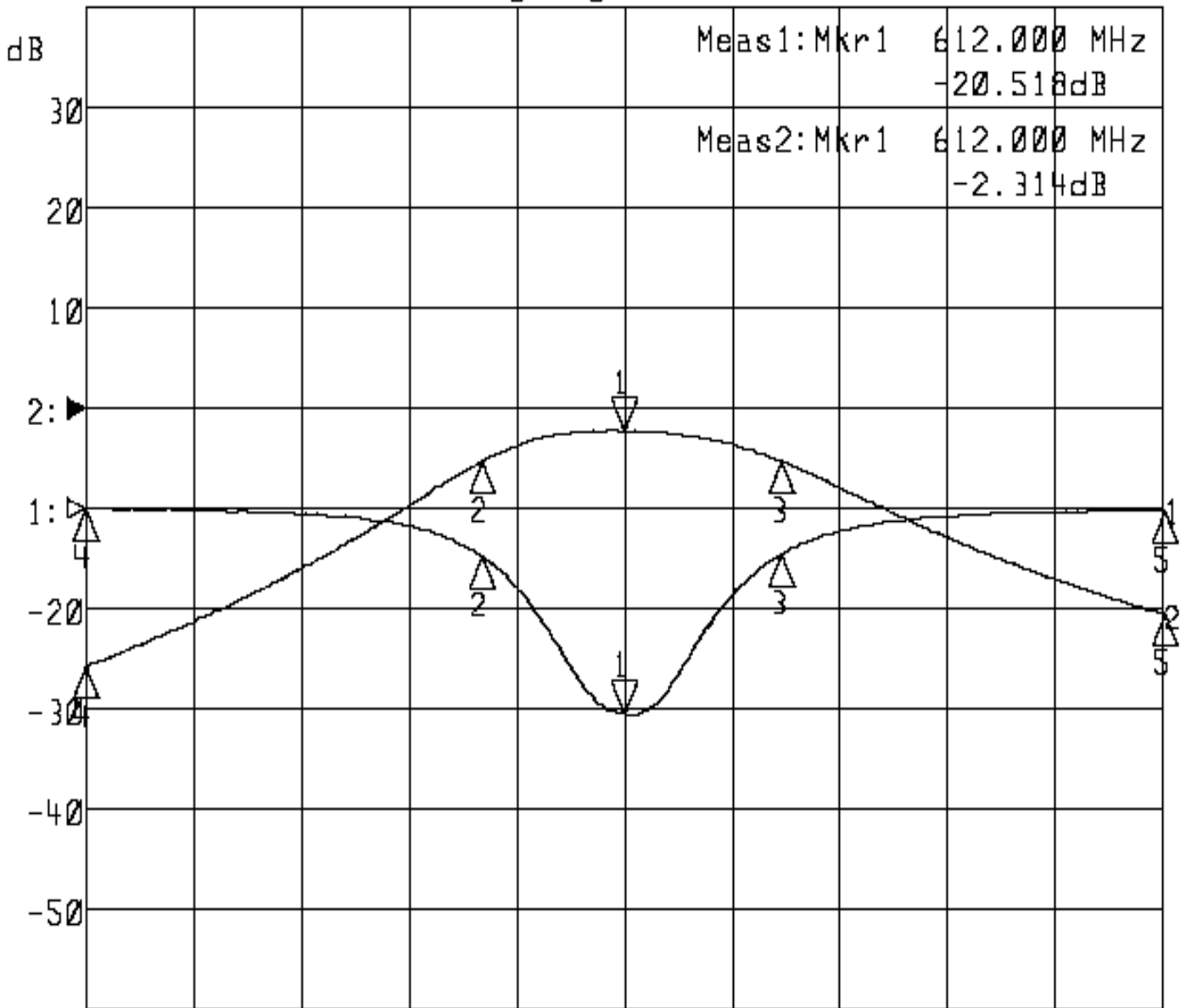
Approval	Supervisor	Designer	Aperture size
C.Y.Chang	C.S.Chang	C.S.Chang	5R2S(3.8*4.2)

TEMWELL CORPORATION

Performance-TDR2671B-612M

20204028DC

▶1:S11 Refl Port1 Log Mag 10.0 dB/ Ref 0.00 dB C
▶2:S21 Fwd Trans Log Mag 10.0 dB/ Ref 0.00 dB C



Center 612.000 MHz

Span 100.000 MHz

1:Mkr (MHz)	dB	2:Mkr (MHz)	dB
1> 612.0000	-20.518	1> 612.0000	-2.314
2: 598.7333	-4.698	2: 598.7333	-5.326
3: 626.6333	-4.516	3: 626.6333	-5.303
4: 562.0000	-0.111	4: 562.0000	-25.813
5: 662.0000	-0.204	5: 662.0000	-20.520