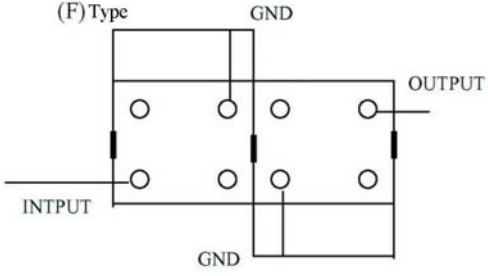
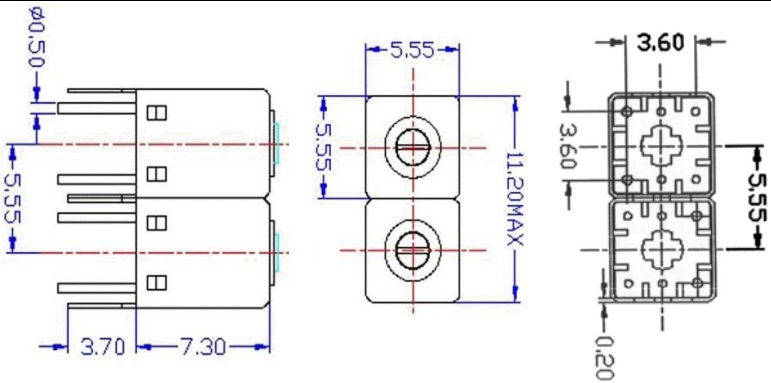


VHF UHF Helical Filter Specification Sheet

Customer Name		Temwell's Part No.	TDR2655F-540M
Approval No. /dated	20201076DC	Acceptable Specify Fo. Range	500~550MHz
Work Instruction No.	20201076DC	Date	Jan.25.2002

<p>(1)Pin Position</p>  <p style="text-align: center;">(Bottom View)</p>	<p>(2)Size Diagram</p> 
---	---

(3)Electric Character

Item	Specify	Performance	
Center Freq.(Fo) +/- 0.5 %	540 MHz	540 MHz	
Tunable Range:	540±10 MHz	540±10 MHz	
Insertion Loss	Typ. 2.0 dB	1.4 dB	
-3 dB Bandwidth	Typ. 24 MHz	29.5 MHz	
Sensitivity (Attenuation)	Fo - 50 MHz	Typ. 15 dBc	18 dBc
	Fo + 50 MHz	Typ. 18 dBc	21 dBc
	Fo - ()MHz	Typ. dBc	dBc
	Fo +()MHz	Typ. dBc	dBc
Return Loss	Min. 12 dB	23 dB	
Ripple	< 1 dB	dB	
Impedance	In / Out : 50 Ω	In / Out : 50 Ω	

(4)Torque for Tuning Screw > 60gf • cm

(5)Temperature Condition:

Operating Temperature	-30°C ~ +70°C
Storage Temperature	-30°C ~ +80°C

(6)Input Power > 0.5Watt

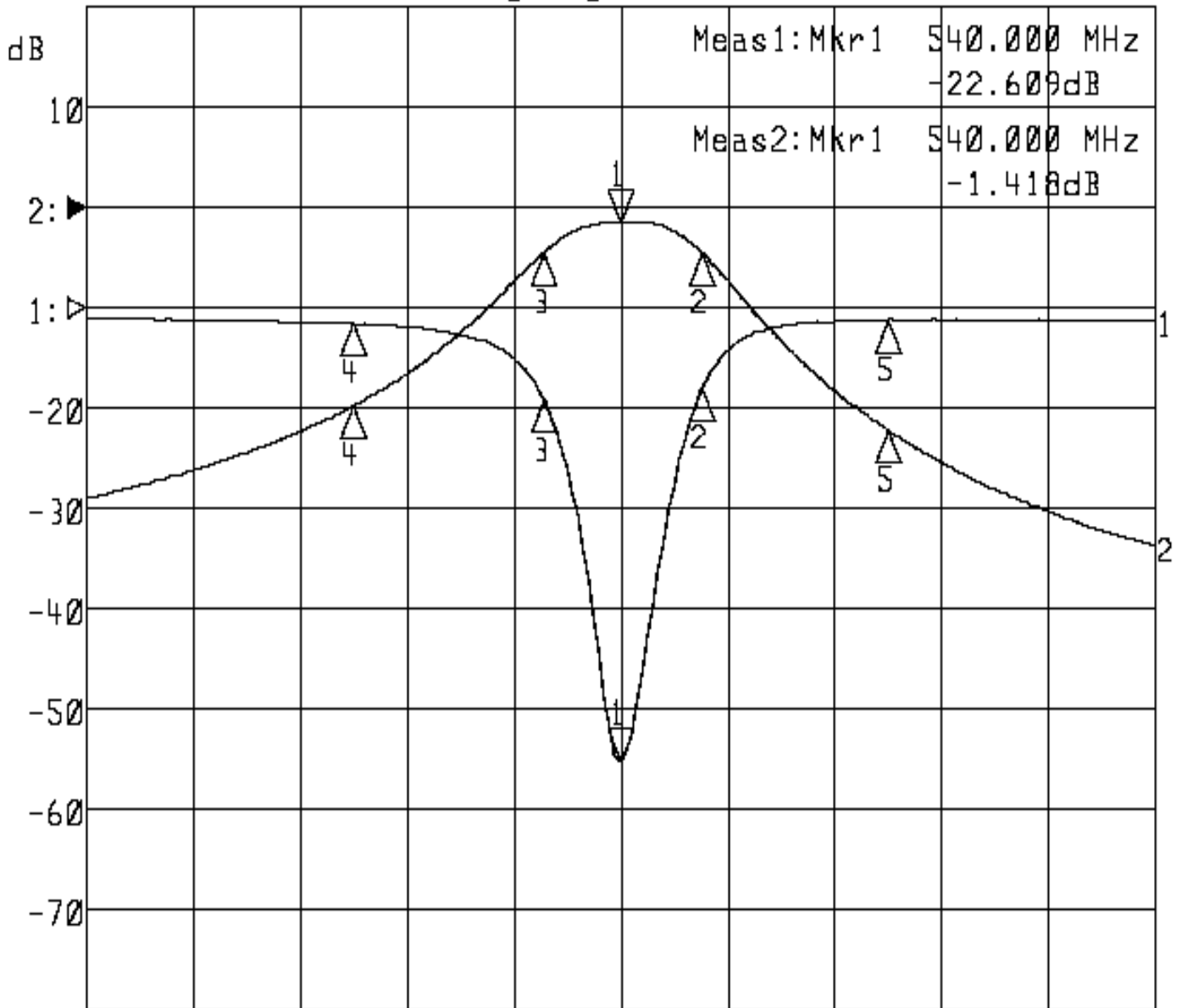
Approval	Supervisor	Designer	Aperture size
C.Y.Chang	C.S.Chang	C.S.Chang	5R2S(3.8*4.2)

TEMWELL CORPORATION

Performance-TDR2655F-540M

20201076DC

▶1:S11 Refl Port1 Log Mag 5.0 dB/ Ref 0.00 dB C
▶2:S21 Fwd Trans Log Mag 10.0 dB/ Ref 0.00 dB C



Center 540.000 MHz

Span 200.000 MHz

1:Mkr (MHz)	dB	2:Mkr (MHz)	dB
1> 540.0000	-22.609	1> 540.0000	-1.418
2: 555.2000	-4.029	2: 555.2000	-4.441
3: 525.7333	-4.589	3: 525.7333	-4.427
4: 490.0000	-0.787	4: 490.0000	-19.744
5: 590.0000	-0.602	5: 590.0000	-22.168