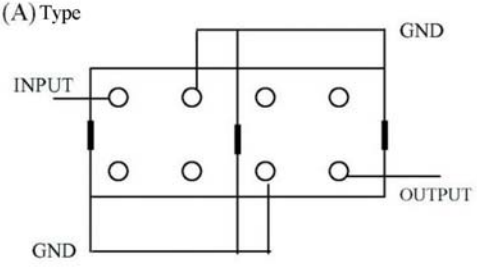
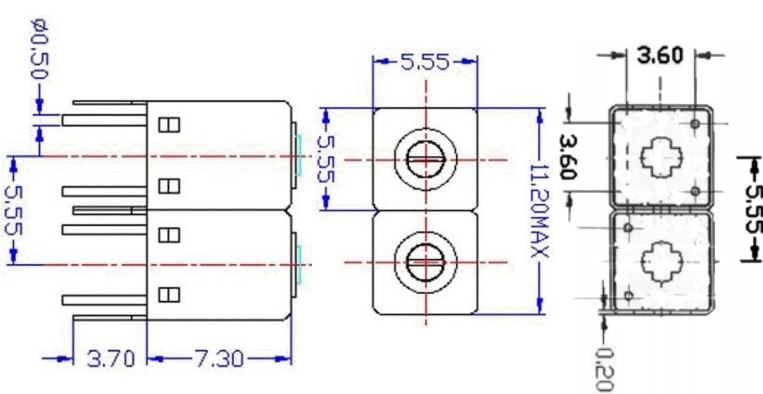


VHF UHF Helical Filter Specification Sheet

Customer Name		Temwell's Part No.	TDR2640A-460M
Approval No. /dated	20305055DC	Acceptable Specify Fo. Range	450~500MHz
Work Instruction No.	20305055DC	Date	May.30.2003

(1)Pin Position	(2)Size Diagram
 <p>(A) Type GND INPUT OUTPUT GND (Bottom View)</p>	

(3)Electric Character

Item	Specify	Performance	
Center Freq.(Fo) +/- 0.5 %	460 MHz	460 MHz	
Tunable Range:	460±10 MHz	460±10 MHz	
Insertion Loss	Typ. 2.5 dB	1.7 dB	
-3 dB Bandwidth	Typ. 19 MHz	23.7 MHz	
Sensitivity (Attenuation)	Fo - 50 MHz	Typ. 20 dBc	23 dBc
	Fo + 50 MHz	Typ. 22 dBc	25 dBc
	Fo - ()MHz	Typ. dBc	dBc
	Fo +()MHz	Typ. dBc	dBc
Return Loss	Min. 12 dB	20 dB	
Ripple	< 1 dB	dB	
Impedance	In / Out : 50 Ω	In / Out : 50 Ω	

(4)Torque for Tuning Screw

(4)Torque for Tuning Screw	> 60gf • cm
----------------------------	-------------

(5)Temperature Condition:

Operating Temperature	-30°C ~ +70°C
-----------------------	---------------

Storage Temperature	-30°C ~ +80°C
---------------------	---------------

(6)Input Power

(6)Input Power	> 0.5Watt
----------------	-----------

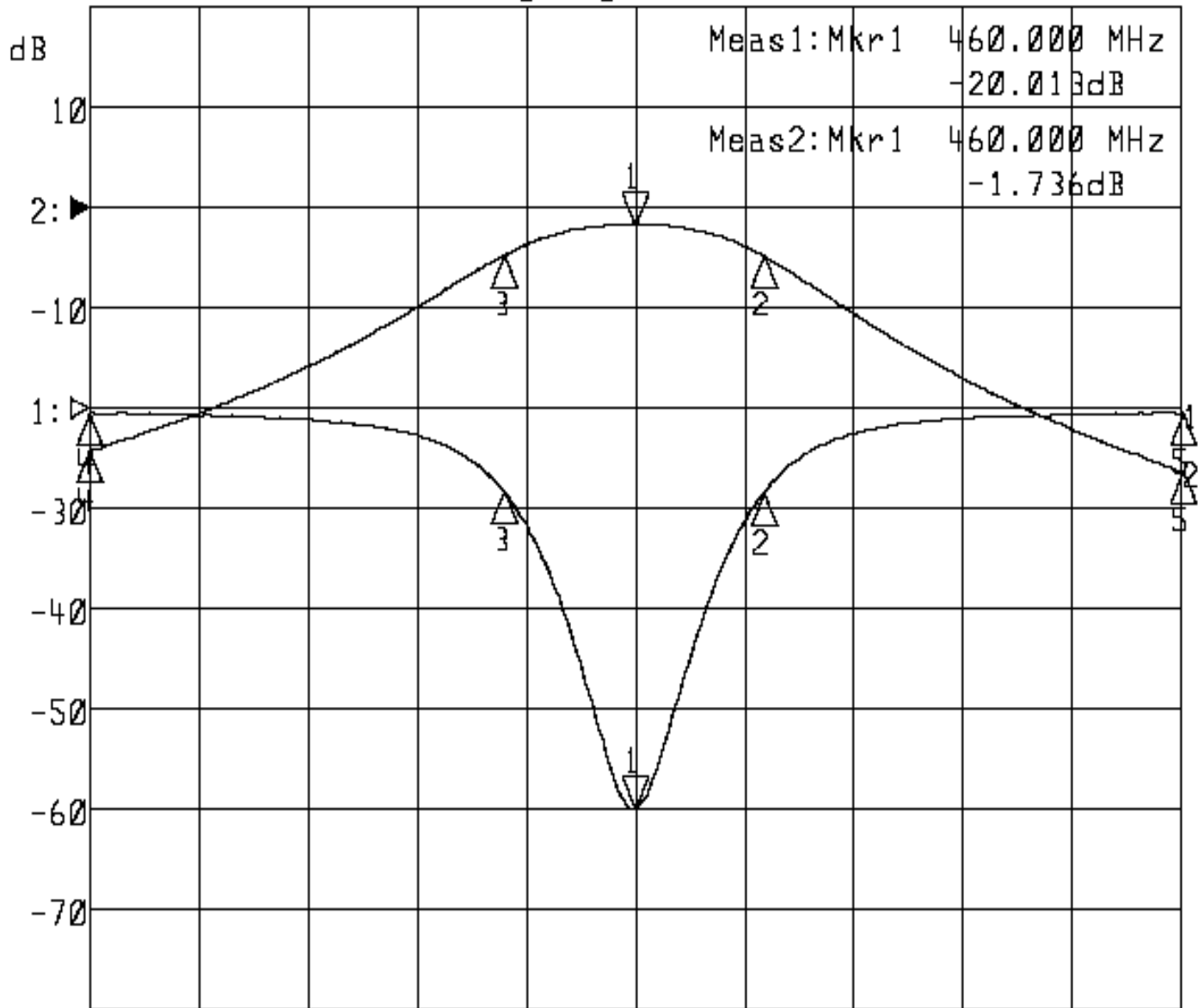
Approval	Supervisor	Designer	Aperture size
C.Y.Chang	C.S.Chang	C.S.Chang	5R2S(3.8*4.23)

TEMWELL CORPORATION

Performance-TDR2640A-460M

20305055DC

▶1: S11 Refl Port1 Log Mag 5.0 dB/ Ref 0.00 dB C
 ▶2: S21 Fwd Trans Log Mag 10.0 dB/ Ref 0.00 dB C



Center 460.000 MHz

Span 100.000 MHz

1: Mkr (MHz)	dB	2: Mkr (MHz)	dB
1> 460.0000	-20.013	1> 460.0000	-1.736
2: 471.7000	-4.260	2: 471.7000	-4.760
3: 448.0000	-4.182	3: 448.0000	-4.766
4: 410.0000	-0.272	4: 410.0000	-24.295
5: 510.0000	-0.300	5: 510.0000	-26.306