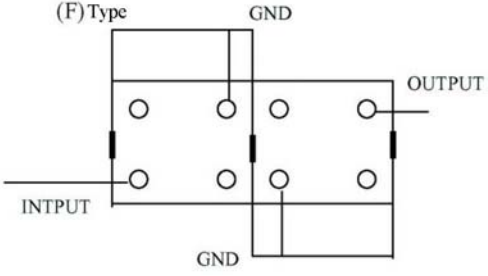
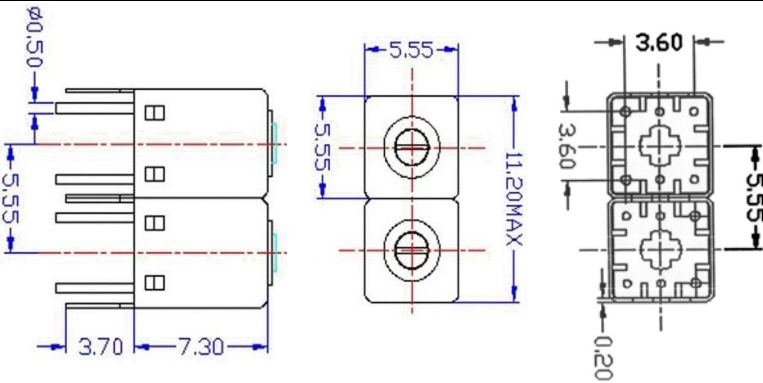


VHF UHF Helical Filter Specification Sheet

Customer Name		Temwell's Part No.	TDR2639F-480M
Approval No. /dated	20201072DC	Acceptable Specify Fo. Range	450~500MHz
Work Instruction No.	20201072DC	Date	Feb.07.2002

<p>(1)Pin Position</p>  <p style="text-align: center;">(Bottom View)</p>	<p>(2)Size Diagram</p> 
---	---

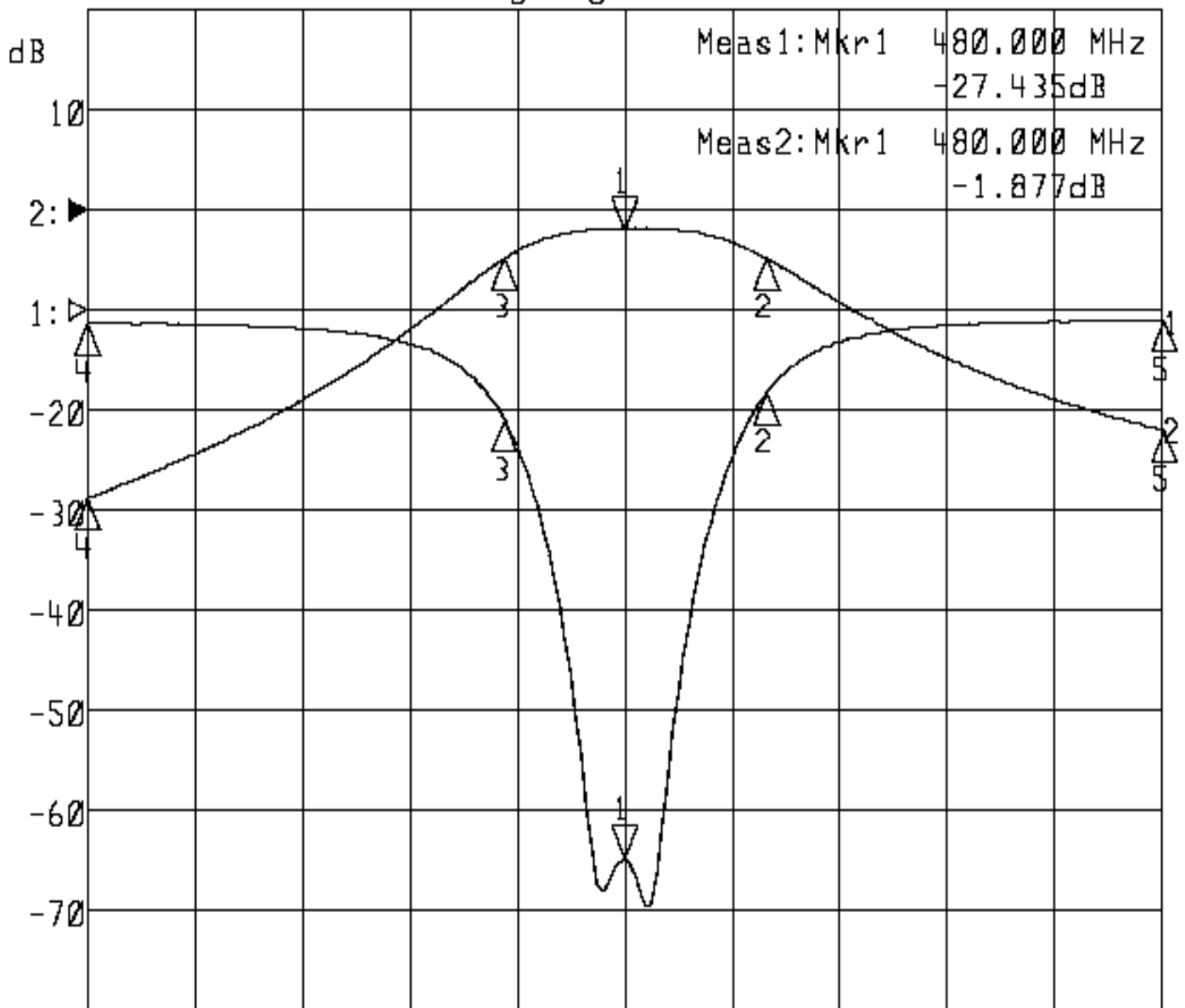
(3)Electric Character			
Item	Specify	Performance	
Center Freq.(Fo) +/- 0.5 %	480 MHz	480 MHz	
Tunable Range:	480±10 MHz	480±10 MHz	
Insertion Loss	Typ. 2.5 dB	1.8 dB	
-3 dB Bandwidth	Typ. 20 MHz	24.4 MHz	
Sensitivity (Attenuation)	Fo - 50 MHz	Typ. 24 dBc	27 dBc
	Fo + 50 MHz	Typ. 17 dBc	20 dBc
	Fo - ()MHz	Typ. dBc	dBc
	Fo +()MHz	Typ. dBc	dBc
Return Loss	Min. 12 dB	27 dB	
Ripple	< 1 dB	dB	
Impedance	In / Out : 50 Ω	In / Out : 50 Ω	
(4)Torque for Tuning Screw		> 60gf • cm	
(5)Temperature Condition:			
Operating Temperature		-30°C ~ +70°C	
Storage Temperature		-30°C ~ +80°C	
(6)Input Power		> 0.5Watt	
Approval	Supervisor	Designer	Aperture size
C.Y.Chang	C.S.Chang	C.S.Chang	5R2S(3.8*4.2)

TEMWELL CORPORATION

Performance-TDR2639F-480M

20201072DC

►1:S11 Refl Port1 Log Mag 5.0 dB/ Ref 0.00 dB C
►2:S21 Fwd Trans Log Mag 10.0 dB/ Ref 0.00 dB C



Center 480.000 MHz

Span 100.000 MHz

1:Mkr (MHz)	dB	2:Mkr (MHz)	dB
1> 480.0000	-27.435	1> 480.0000	-1.877
2: 493.2667	-4.115	2: 493.2667	-4.856
3: 468.8667	-5.474	3: 468.8667	-4.825
4: 430.0000	-0.635	4: 430.0000	-28.777
5: 530.0000	-0.542	5: 530.0000	-21.990