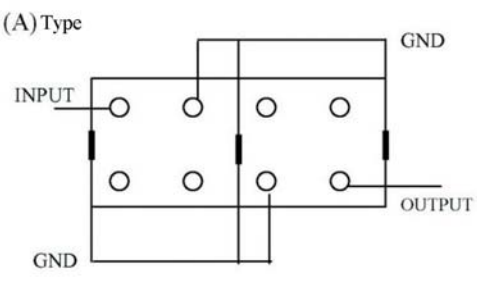
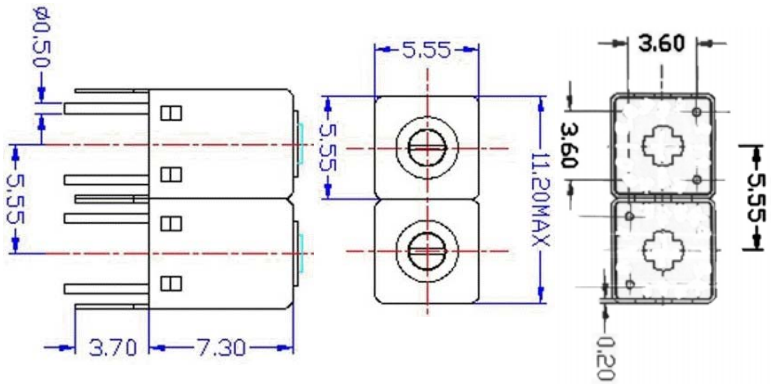


VHF UHF Helical Filter Specification Sheet

Customer Name		Temwell's Part No.	TDR2636A-400M
Approval No. /dated	20201056DC	Acceptable Specify Fo. Range	350~400MHz
Work Instruction No.	20201056DC	Date	May.30.2003

<p>(1)Pin Position</p>  <p style="text-align: center;">(Bottom View)</p>	<p>(2)Size Diagram</p> 
---	---

(3)Electric Character

Item	Specify	Performance	
Center Freq.(Fo) +/- 0.5 %	400 MHz	400 MHz	
Tunable Range:	400±10 MHz	400±10 MHz	
Insertion Loss	Typ. 3.0 dB	2.3 dB	
-3 dB Bandwidth	Typ. 17 MHz	21.1 MHz	
Sensitivity (Attenuation)	Fo - 50 MHz	Typ. 21 dBc	24 dBc
	Fo + 50 MHz	Typ. 23 dBc	26 dBc
	Fo - ()MHz	Typ. dBc	dBc
	Fo +()MHz	Typ. dBc	dBc
Return Loss	Min. 12 dB	19 dB	
Ripple	< 1 dB	dB	
Impedance	In / Out : 50 Ω	In / Out : 50 Ω	

(4)Torque for Tuning Screw > 60gf · cm

(5)Temperature Condition:

Operating Temperature	-30°C ~ +70°C
Storage Temperature	-30°C ~ +80°C

(6)Input Power > 0.5Watt

Approval	Supervisor	Designer	Aperture size
C.Y.Chang	C.S.Chang	C.S.Chang	5R2S(3.8*4.2)

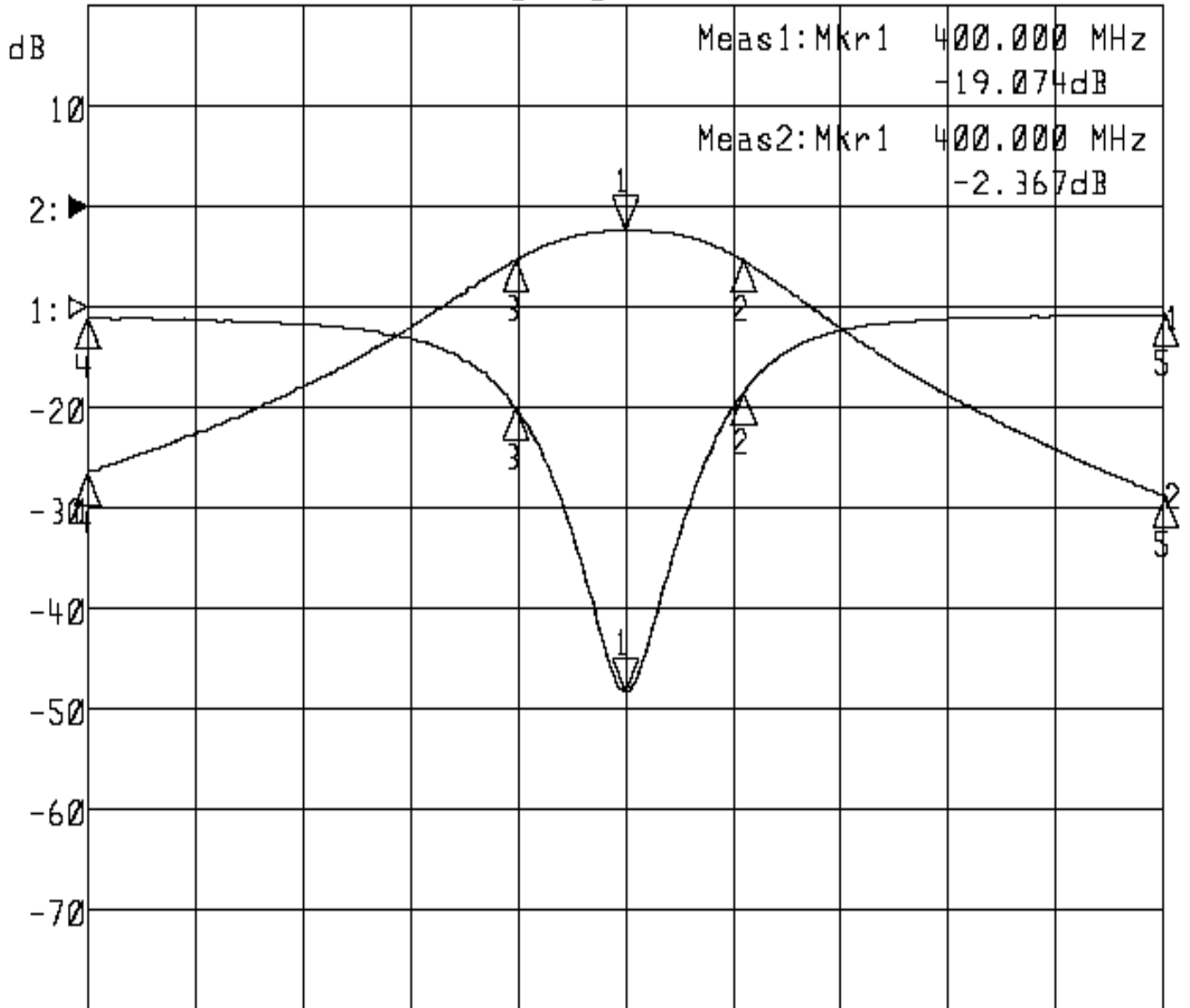
TEMWELL CORPORATION

Performance-TDR2636A-400M

20201056DC

▶1:S11 Refl Port1 Log Mag 5.0 dB/ Ref 0.00 dB C

▶2:S21 Fwd Trans Log Mag 10.0 dB/ Ref 0.00 dB C



Center 400.000 MHz

Span 100.000 MHz

1:Mkr (MHz)	dB	2:Mkr (MHz)	dB
1> 400.0000	-19.074	1> 400.0000	-2.367
2: 410.9333	-4.287	2: 410.9333	-5.370
3: 389.8000	-4.960	3: 389.8000	-5.355
4: 350.0000	-0.459	4: 350.0000	-26.402
5: 450.0000	-0.429	5: 450.0000	-28.750