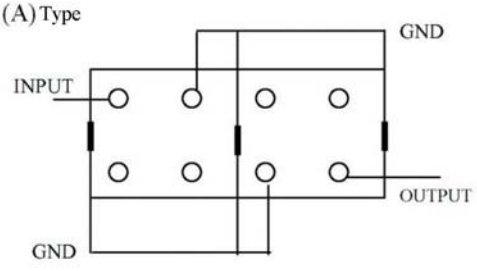
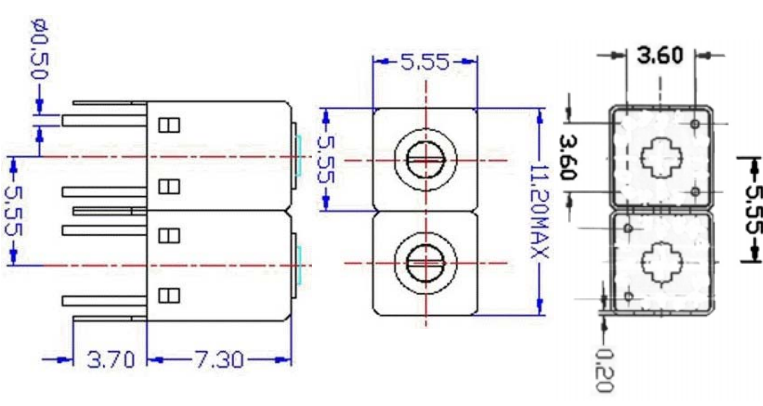


VHF UHF Helical Filter Specification Sheet

Customer Name		Temwell's Part No.	TDR2633A-420M
Approval No. /dated	20201060DC	Acceptable Specify Fo. Range	400~450MHz
Work Instruction No.	20201060DC	Date	Jan.25.2002

<p>(1)Pin Position</p>  <p style="text-align: center;">(Bottom View)</p>	<p>(2)Size Diagram</p> 
---	---

(3)Electric Character			
Item	Specify	Performance	
Center Freq.(Fo) +/- 0.5 %	420 MHz	420 MHz	
Tunable Range:	420±10 MHz	420±10 MHz	
Insertion Loss	Typ. 2.5 dB	1.7 dB	
-3 dB Bandwidth	Typ. 18 MHz	21.8 MHz	
Sensitivity (Attenuation)	Fo - 50 MHz	Typ. 22 dBc	25 dBc
	Fo + 50 MHz	Typ. 24 dBc	27 dBc
	Fo - ()MHz	Typ. dBc	dBc
	Fo +()MHz	Typ. dBc	dBc
Return Loss	Min. 12 dB	28 dB	
Ripple	< 1 dB	dB	
Impedance	In / Out : 50 Ω	In / Out : 50 Ω	
(4)Torque for Tuning Screw		> 60gf • cm	
(5)Temperature Condition:			
Operating Temperature		-30℃ ~ +70℃	
Storage Temperature		-30℃ ~ +80℃	
(6)Input Power		> 0.5Watt	
Approval	Supervisor	Designer	Aperture size
C.Y.Chang	C.S.Chang	C.S.Chang	5R2S(3.8*4.2)

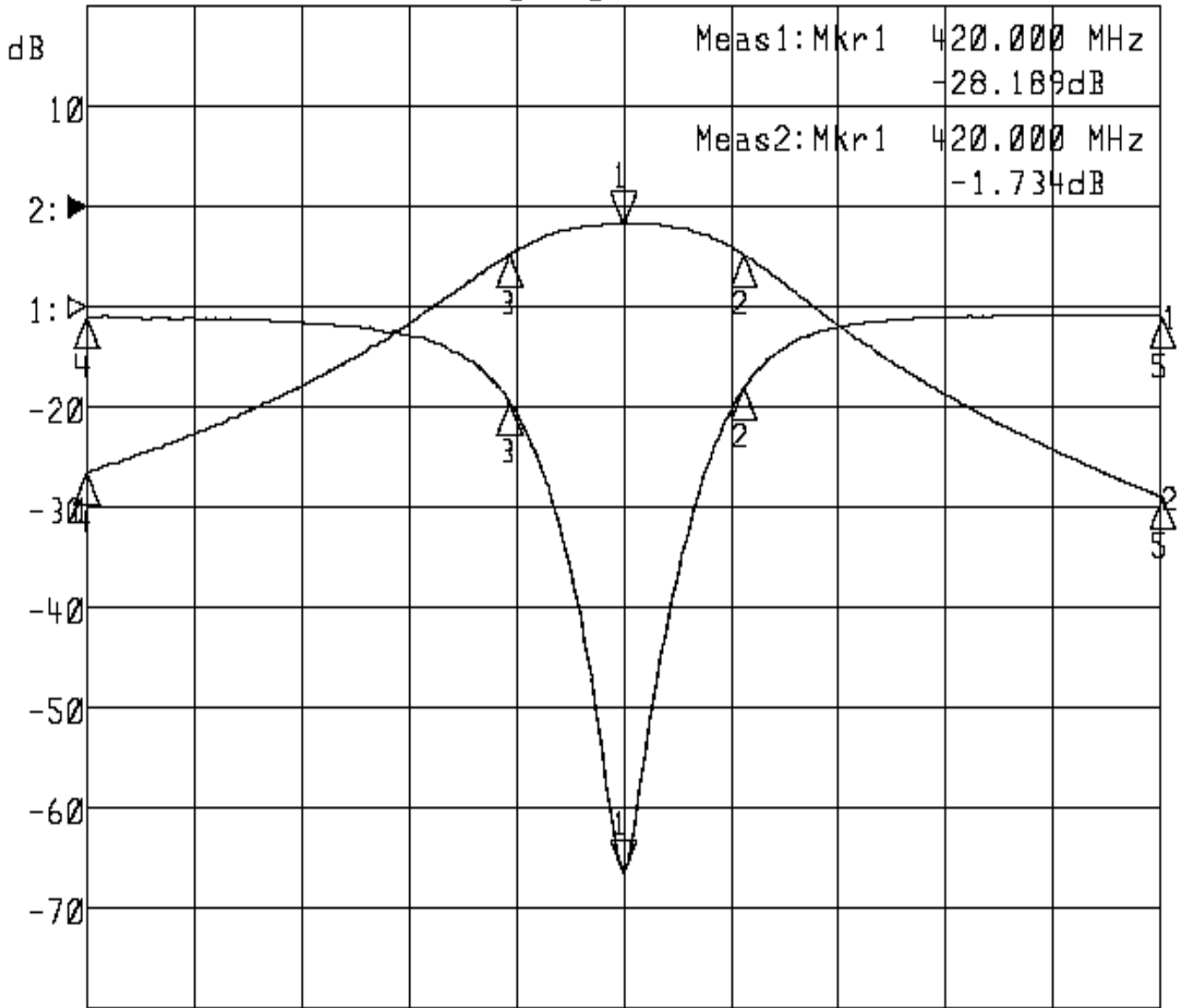
TEMWELL CORPORATION

Performance-TDR2633A-420M

20201060DC

▷1:S11 Refl Port1 Log Mag 5.0 dB/ Ref 0.00 dB C

▶2:S21 Fwd Trans Log Mag 10.0 dB/ Ref 0.00 dB C



Center 420.000 MHz

Span 100.000 MHz

1: Mkr (MHz)	dB	2: Mkr (MHz)	dB
1> 420.0000	-28.189	1> 420.0000	-1.734
2: 431.2667	-3.999	2: 431.2667	-4.770
3: 409.4000	-4.707	3: 409.4000	-4.772
4: 370.0000	-0.510	4: 370.0000	-26.516
5: 470.0000	-0.451	5: 470.0000	-28.905