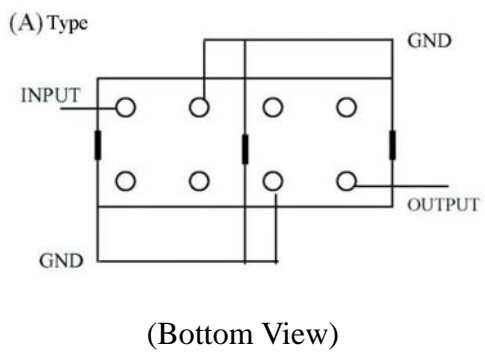
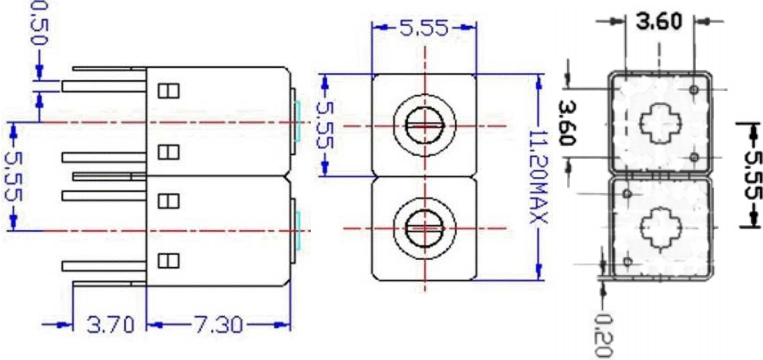


VHF UHF Helical Filter Specification Sheet

Customer Name		Temwell's Part No.	TDR2626A-325M
Approval No. /dated	20204041DC	Acceptable Specify Fo. Range	300~350MHz
Work Instruction No.	20204041DC	Date	May.15.2002

<p>(1)Pin Position</p>  <p>(A) Type GND INPUT OUTPUT GND (Bottom View)</p>	<p>(2)Size Diagram</p>  <p>Dimensions shown: - Pin diameter: $\phi 0.50$ - Pin pitch: 5.55 - Pin length: 3.70 - Pin offset: 7.30 - Filter body width: 5.55 - Filter body height: 11.20MAX - Filter body depth: 3.60 - Filter body thickness: 0.20</p>
---	--

(3)Electric Character

Item	Specify	Performance	
Center Freq.(Fo) +/- 0.5 %	325 MHz	325 MHz	
Tunable Range:	325±8 MHz	325±8 MHz	
Insertion Loss	Typ. 4.5 dB	3.8 dB	
-3 dB Bandwidth	Typ. 13 MHz	16.0 MHz	
Sensitivity (Attenuation)	Fo - 50 MHz	Typ. 23 dBc	26 dBc
	Fo + 50 MHz	Typ. 27 dBc	30 dBc
	Fo - ()MHz	Typ. dBc	dBc
	Fo +()MHz	Typ. dBc	dBc
Return Loss	Min. 12 dB	15 dB	
Ripple	< 1 dB	dB	
Impedance	In / Out : 50 Ω	In / Out : 50 Ω	

(4)Torque for Tuning Screw > 60gf • cm

(5)Temperature Condition:

Operating Temperature	-30°C ~ +70°C
Storage Temperature	-30°C ~ +80°C

(6)Input Power > 0.5Watt

Approval	Supervisor	Designer	Aperture size
C.Y.Chang	C.S.Chang	C.S.Chang	5R2S(3.8*3.7)

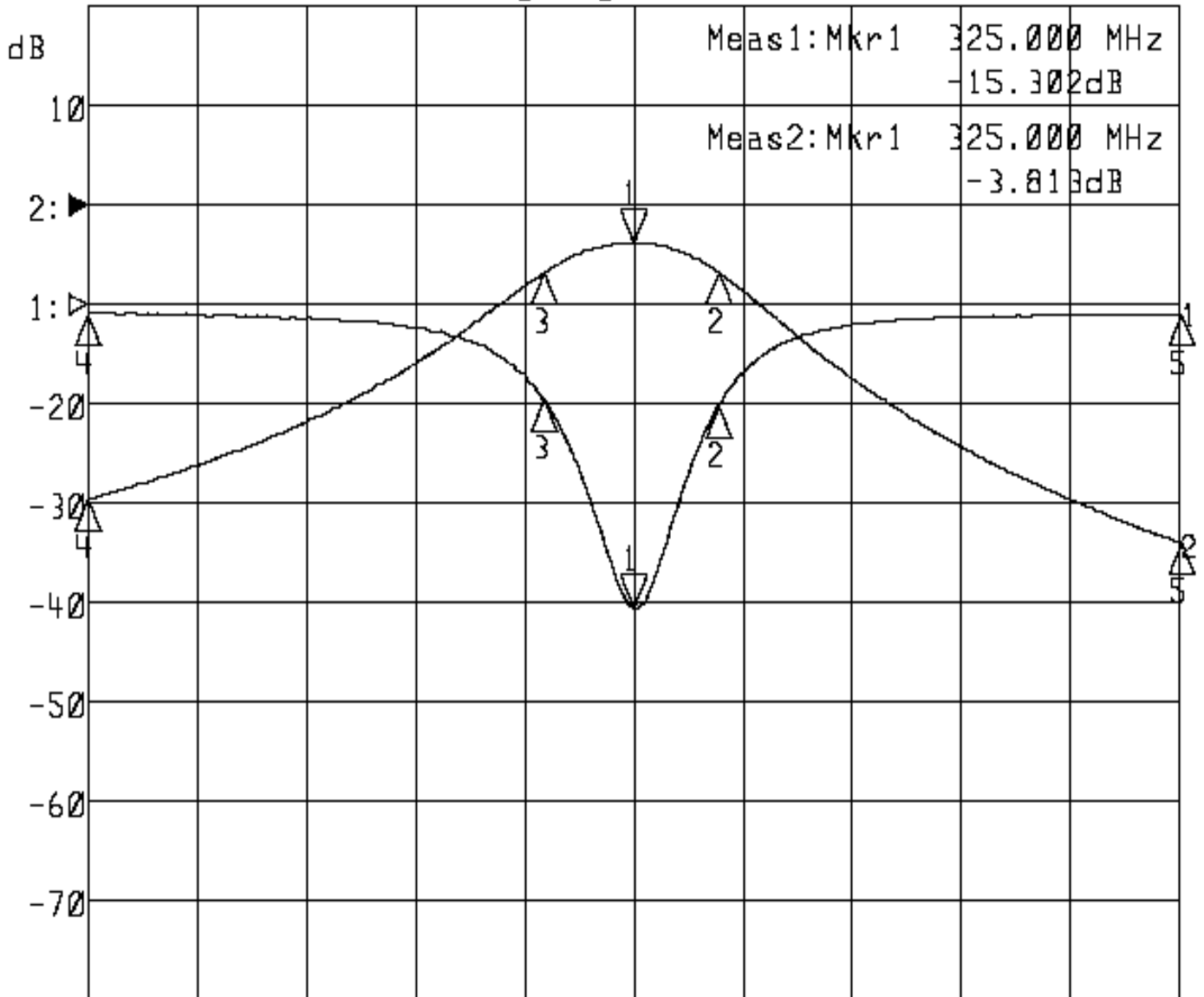
TEMWELL CORPORATION

Performance-TDR2626A-325M

20204041DC

▶1: S11 Refl Port1 Log Mag 5.0 dB/ Ref 0.00 dB C

▶2: S21 Fwd Trans Log Mag 10.0 dB/ Ref 0.00 dB C



Center 325.000 MHz

Span 100.000 MHz

1: Mkr (MHz)	dB	2: Mkr (MHz)	dB
1> 325.0000	-15.302	1> 325.0000	-3.813
2: 332.8000	-5.098	2: 332.8000	-6.781
3: 316.8000	-4.807	3: 316.8000	-6.834
4: 275.0000	-0.478	4: 275.0000	-29.600
5: 375.0000	-0.494	5: 375.0000	-33.953