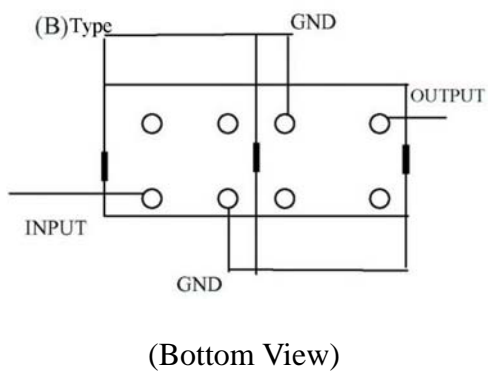
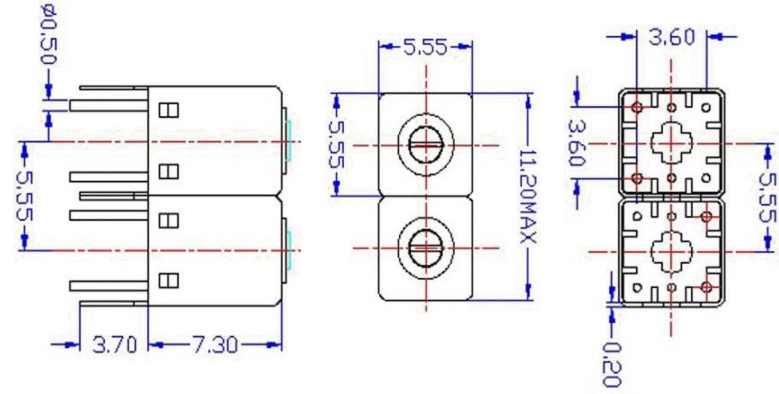


# VHF UHF Helical Filter Specification Sheet

Customer Name		Temwell's Part No.	TDR2515B-864M
Approval No. /dated	20404006DC	Acceptable Specify Fo. Range	850~900MHz
Work Instruction No.	20404006DC	Date	Apr.02.2004

(1)Pin Position	(2)Size Diagram
 <p>(Bottom View)</p>	

### (3)Electric Character

Item	Specify	Performance	
Center Freq.(Fo ) +/- 0.5 %	864 MHz	864 MHz	
Tunable Range:	864±15 MHz	864±15 MHz	
Insertion Loss	Typ. 4.0 dB	3.3 dB	
-3 dB Bandwidth	Typ. 12 MHz	20.6 MHz	
Sensitivity (Attenuation)	Fo - 50 MHz	Typ. 24 dBc	27 dBc
	Fo + 50 MHz	Typ. 20 dBc	23 dBc
	Fo - ( )MHz	Typ. dBc	dBc
	Fo +( )MHz	Typ. dBc	dBc
Return Loss	Min. 12 dB	38 dB	
Ripple	< 1 dB	dB	
Impedance	In / Out : 50 Ω	In / Out : 50 Ω	
(4)Torque for Tuning Screw	> 60gf • cm		

### (5)Temperature Condition:

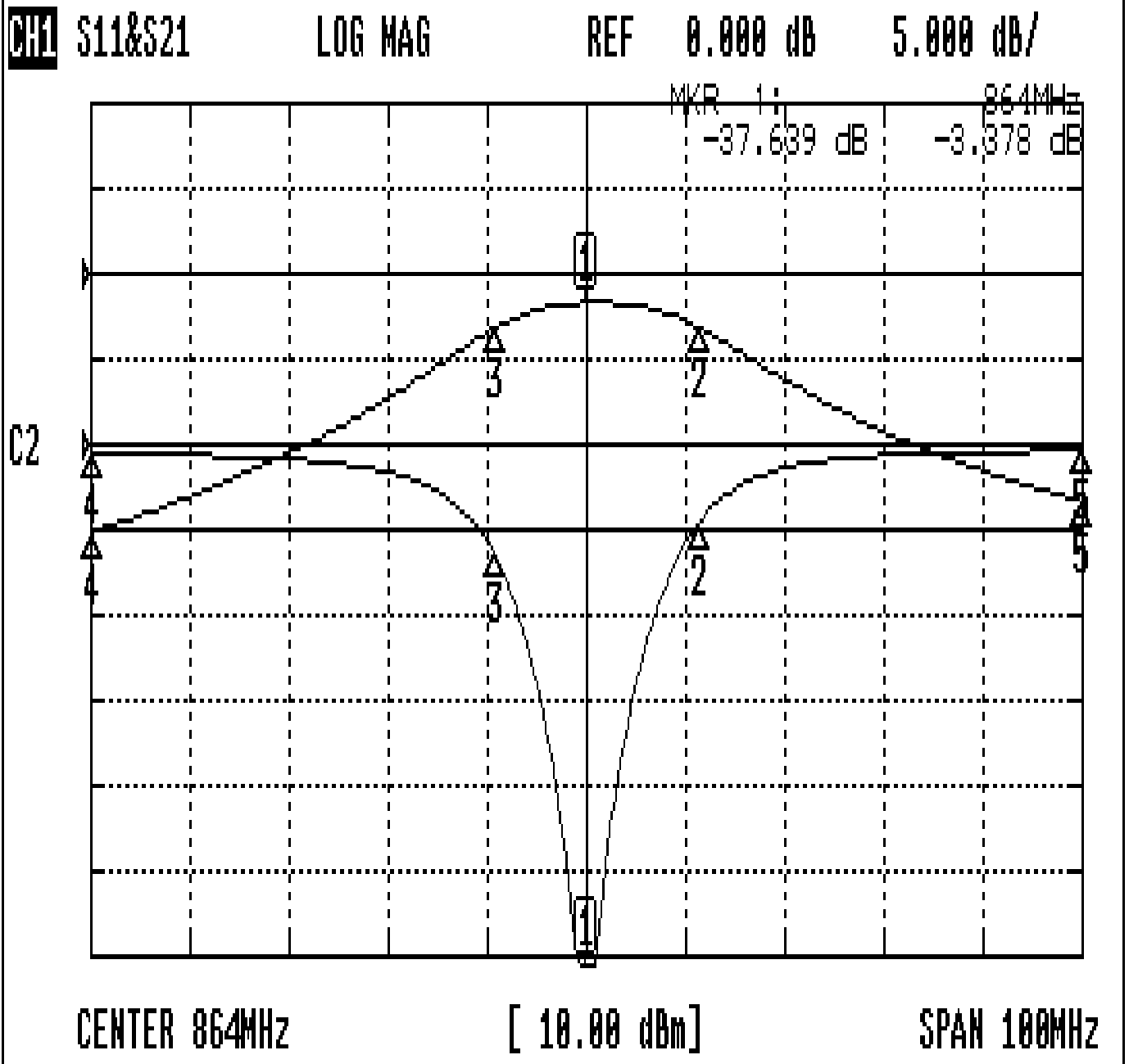
Operating Temperature	-30°C ~ +70°C
Storage Temperature	-30°C ~ +80°C
(6)Input Power	> 0.5Watt

Approval	Supervisor	Designer	Aperture size
C.Y.Chang	C.S.Chang	C.S.Chang	5R2S(3.8*3.7)(3.77)

TEMWELL CORPORATION

# Performance-TDR2515B-864M

## 20404006DC



### CH1 MARKER LIST

1:	864.000MHz	-37.639 dB	-3.378 dB
2:	875.416MHz	-4.544 dB	-6.315 dB
3:	854.833MHz	-6.516 dB	-6.324 dB
4:	814.000MHz	-0.506 dB	-30.325 dB
5:	914.000MHz	-0.367 dB	-26.576 dB
6:			