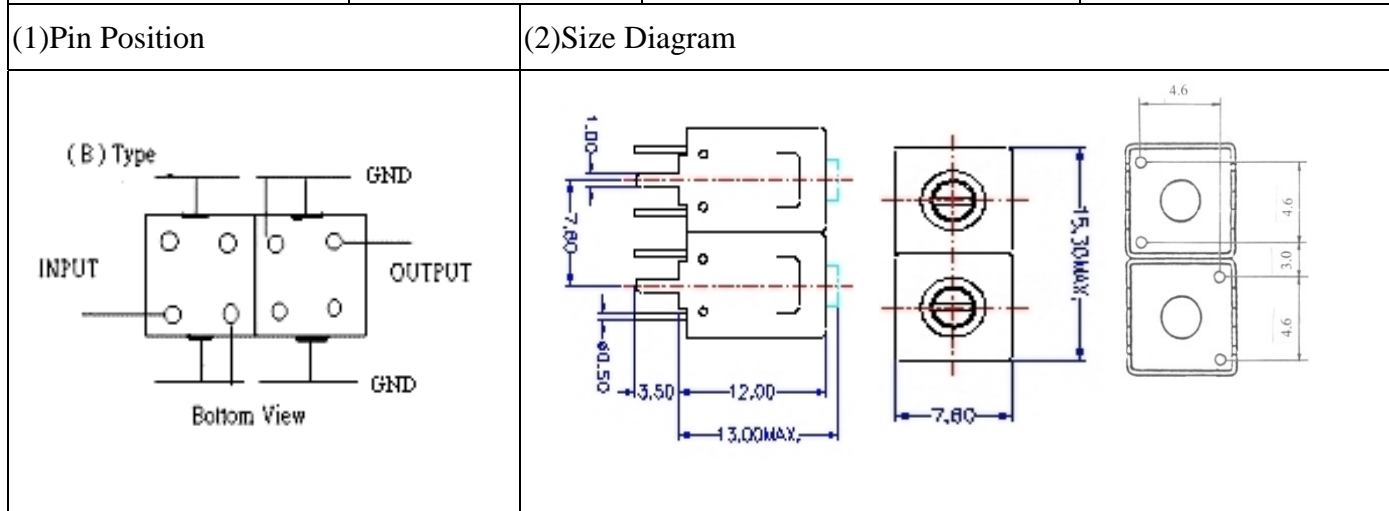


VHF UHF Helical Filter Specification Sheet

Customer Name		Temwell's Part No.	TDL6848B-471.2M
Approval No. /dated	20310055DB	Acceptable Specify Fo. Range	456~515MHz
Work Instruction No.	20310055DB	Date	Oct,31 ,2003



(3)Electric Character

Item	Specify	Performance
Center Freq.(Fo) +/- 0.5 %	471.2 MHz	471.2 MHz
Tunable Range	471.2±5 MHz	471.2±5 MHz
Insertion Loss	Typ. 7.0 dB	5.6 dB
-3 dB Bandwidth	Typ. 4 MHz	6 MHz
Sensitivity (Attenuation)	Fo - 20 MHz	Typ. 28 dBc
	Fo + 20 MHz	Typ. 23 dBc
	Fo - ()MHz	Typ. dBc
	Fo +()MHz	Typ. dBc
Return Loss	Min. 12 dB	37.6 dB
Ripple	< 1 dB	dB
Impedance	In / Out : 75 Ω	In / Out : 750 Ω
(4)Torque for Tuning Screw	> 100gf • cm	

(5)Temperature Condition:

Operating Temperature	0°C ~ +60°C
Storage Temperature	-20°C ~ +70°C

(6)Input Power

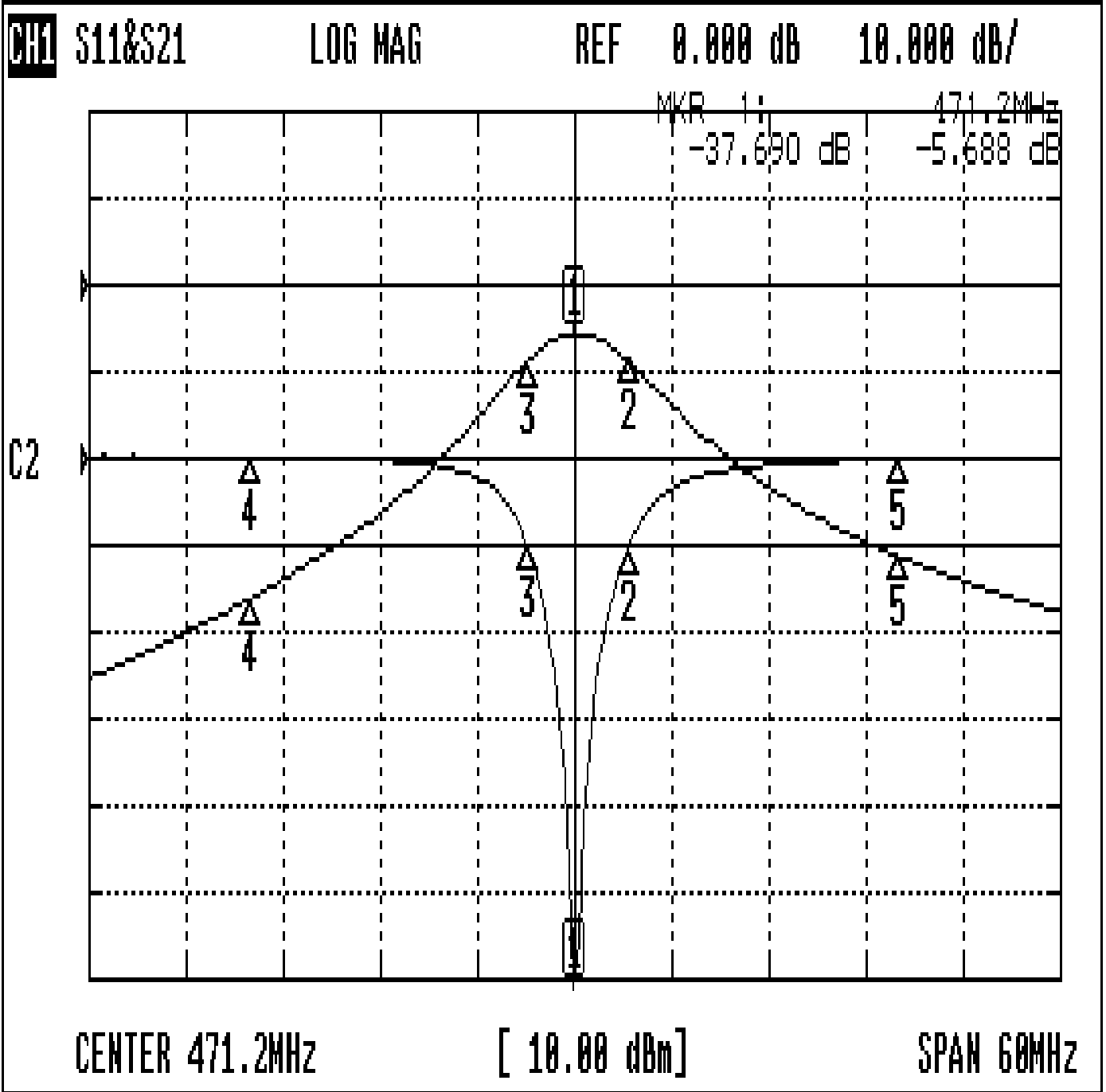
	> 1Watt
--	---------

Approval	Supervisor	Designer	Aperture size
C.Y.Chang	C.S.Chang	C.S.Chang	7H2(4*4.5)(4*4.53) 7H046RB4

TEMWELL CORPORATION

Performance- TDL6848B-471.2M

20310055DB



CH1 MARKER LIST

1:	471.200MHz	-37.690 dB	-5.688 dB
2:	474.500MHz	-5.183 dB	-8.664 dB
3:	468.300MHz	-4.888 dB	-8.611 dB
4:	451.200MHz	0.088 dB	-36.073 dB
5:	491.200MHz	-0.048 dB	-31.233 dB