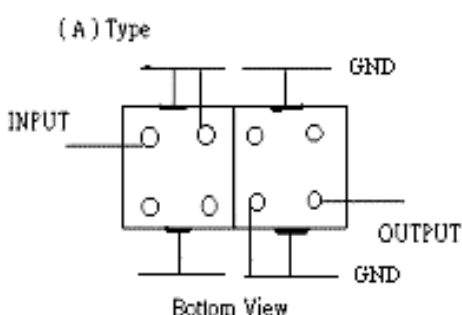
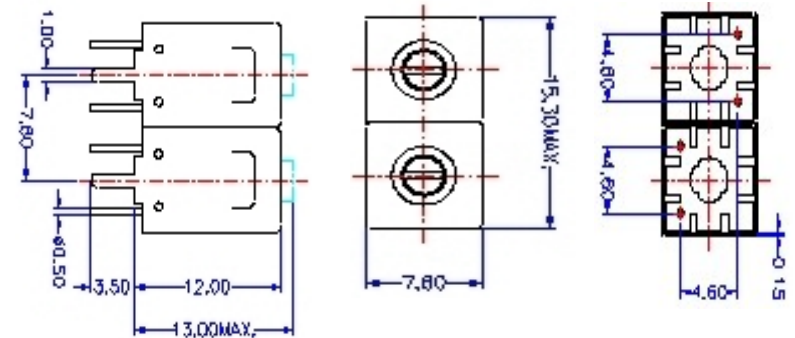


VHF UHF Helical Filter Specification Sheet

Customer Name		Temwell's Part No.	TDL67538A-810M
Approval No. /dated	20208015DC	Acceptable Specify Fo. Range	801~830MHz
Work Instruction No.	20208015DC	Date	2002/8/8

<p>(1) Pin Position</p>  <p style="text-align: center;">(A) Type Bottom View</p>	<p>(2) Size Diagram</p> 
---	--

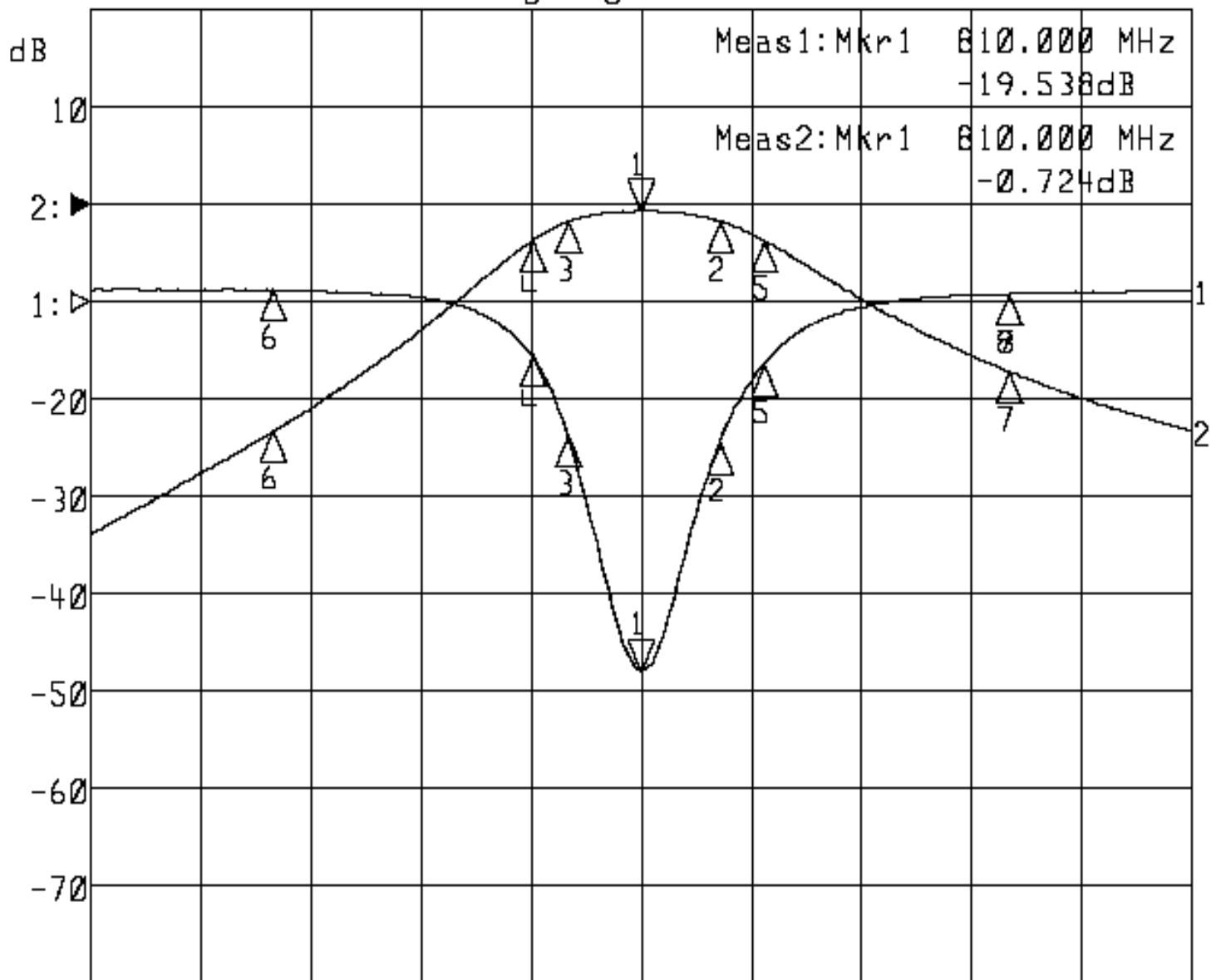
(3) Electric Character			
Item	Specify	Performance	
Center Freq.(Fo) +/- 0.5 %	810 MHz	810	MHz
Tunable Range	810±10 MHz	810±10	MHz
Insertion Loss	Typ. 1.5 dB	0.7	dB
-1 dB Bandwidth	Typ. 37 MHz	41	MHz
-3 dB Bandwidth	Typ. 60 MHz	63	MHz
Sensitivity (Attenuation)	Fo - 100 MHz	Typ. 19 dBc	22 dBc
	Fo + 100 MHz	Typ. 13 dBc	16 dBc
	Fo - ()MHz	Typ. dBc	dBc
	Fo +()MHz	Typ. dBc	dBc
Return Loss	Min. 12 dB	19.5	dB
Ripple	< 1 dB		dB
Impedance	In / Out : 75 Ω	In / Out : 75 Ω	
(4) Torque for Tuning Screw			
		> 100gf • cm	
(5) Temperature Condition:			
Operating Temperature		0°C ~ +60°C	
Storage Temperature		-20°C ~ +70°C	
(6) Input Power			
		> 1Watt	
Approval	Supervisor	Designer	Aperture size
C.Y.Chang	C.S.Chang	C.S.Chang	7H2S(4*6.5) 7H046LB5

TEMWELL CORPORATION

Performance- TDL67538A-810M

20208015DC

▶1:S11 Refl Port1 Log Mag 5.0 dB/ Ref -0.55 dB C
 ▶2:S12 Rev Trans Log Mag 10.0 dB/ Ref 0.00 dB C



Center 810.000 MHz

Span 300.000 MHz

1: Mkr (MHz)	dB	2: Mkr (MHz)	dB
1> 810.0000	-19.538	1> 810.0000	-0.724
2: 831.5000	-7.751	2: 831.5000	-1.709
3: 790.2000	-7.458	3: 790.2000	-1.768
4: 780.4000	-3.334	4: 780.4000	-3.748
5: 843.4000	-3.742	5: 843.4000	-3.690
6: 710.0000	0.027	6: 710.0000	-23.290
7: 910.0000	-0.159	7: 910.0000	-17.156
8: 910.0000	-0.159		