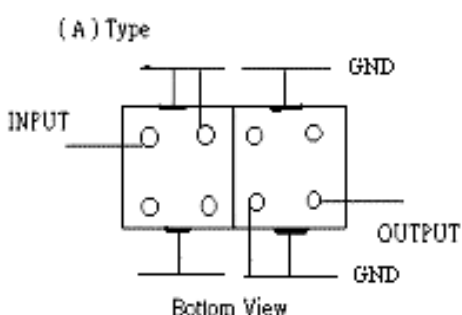
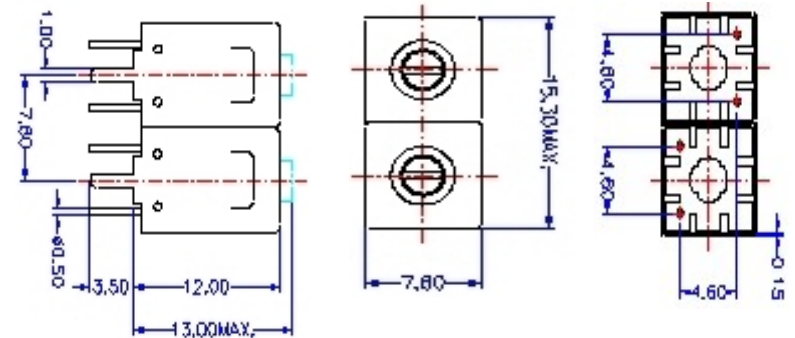


VHF UHF Helical Filter Specification Sheet

Customer Name		Temwell's Part No.	TDL67537A-775M
Approval No. /dated	20208014DC	Acceptable Specify Fo. Range	751~800MHz
Work Instruction No.	20208014DC	Date	2002/8/16

<p>(1) Pin Position</p>  <p style="text-align: center;">(A) Type Bottom View</p>	<p>(2) Size Diagram</p> 
---	--

(3) Electric Character				
Item	Specify		Performance	
Center Freq.(Fo) +/- 0.5 %	775	MHz	775 MHz	
Tunable Range	775±5	MHz	775±5 MHz	
Insertion Loss	Typ. 2.0	dB	0.9 dB	
-1 dB Bandwidth	Typ. 42	MHz	45 MHz	
-3 dB Bandwidth	Typ. 47	MHz	50 MHz	
Sensitivity (Attenuation)	Fo - 100 MHz	Typ. 19	dBc	22 dBc
	Fo + 100 MHz	Typ. 12	dBc	15 dBc
	Fo - ()MHz	Typ.	dBc	dBc
	Fo +()MHz	Typ.	dBc	dBc
Return Loss	Min. 12	dB	19.5 dB	
Ripple	< 1	dB	dB	
Impedance	In / Out : 75 Ω		In / Out : 75 Ω	
(4) Torque for Tuning Screw	> 100gf • cm			

(5) Temperature Condition:	
Operating Temperature	0°C ~ +60°C
Storage Temperature	-20°C ~ +70°C

(6) Input Power	> 1Watt
-----------------	---------

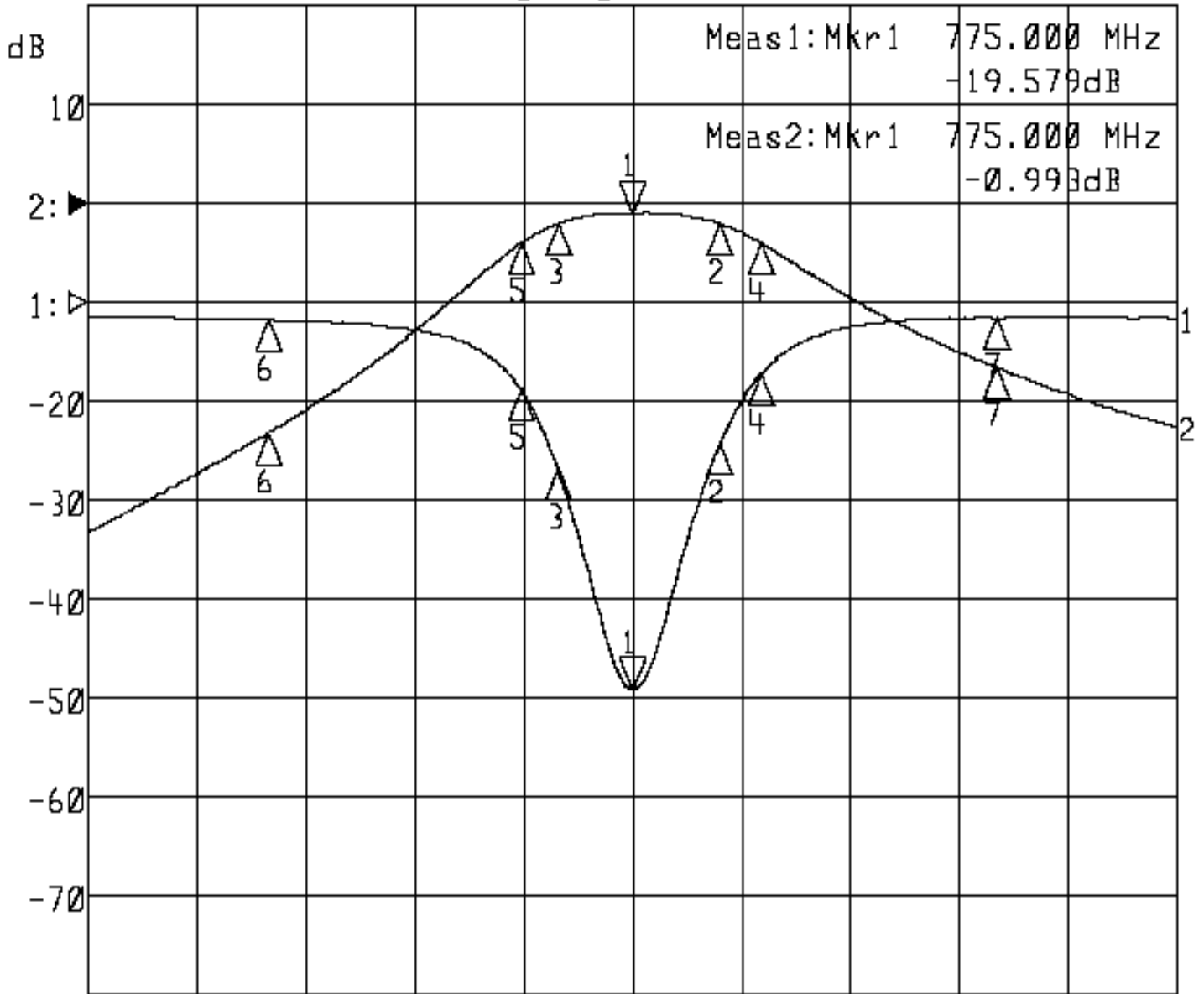
Approval	Supervisor	Designer	Aperture size
C. Y.Chang	C. S.Chang	C. S.Chang	7H2 (4*6.5) 7H046LB5

TEMWELL CORPORATION

Performance- TDL67537A-775M

20208014DC

▶1:S11 Refl Port1 Log Mag 5.0 dB/ Ref 0.00 dB C
▶2:S21 Fwd Trans Log Mag 10.0 dB/ Ref 0.00 dB C



Center 775.000 MHz

Span 300.000 MHz

1: Mkr (MHz)	dB	2: Mkr (MHz)	dB
1> 775.0000	-19.579	1> 775.0000	-0.993
2: 799.2000	-7.121	2: 799.2000	-2.065
3: 754.5000	-8.360	3: 754.5000	-2.013
4: 810.5000	-3.583	4: 810.5000	-4.033
5: 744.3000	-4.404	5: 744.3000	-4.026
6: 675.0000	-0.916	6: 675.0000	-23.126
7: 875.0000	-0.808	7: 875.0000	-16.590