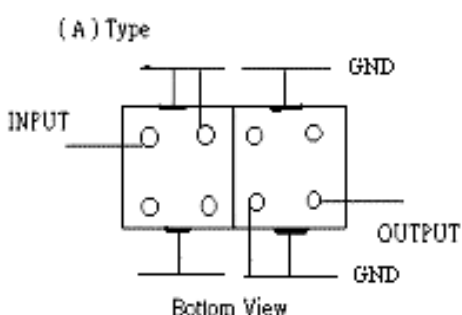
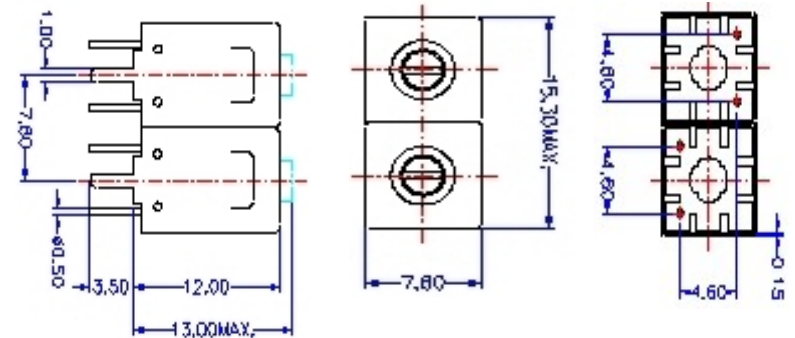


# VHF UHF Helical Filter Specification Sheet

Customer Name		Temwell's Part No.	TDL67535A-705M
Approval No. /dated	20208012DC	Acceptable Specify Fo. Range	701~750MHz
Work Instruction No.	20208012DC	Date	2002/08/19

<p>(1) Pin Position</p>  <p style="text-align: center;">(A) Type Bottom View</p>	<p>(2) Size Diagram</p> 
---	--

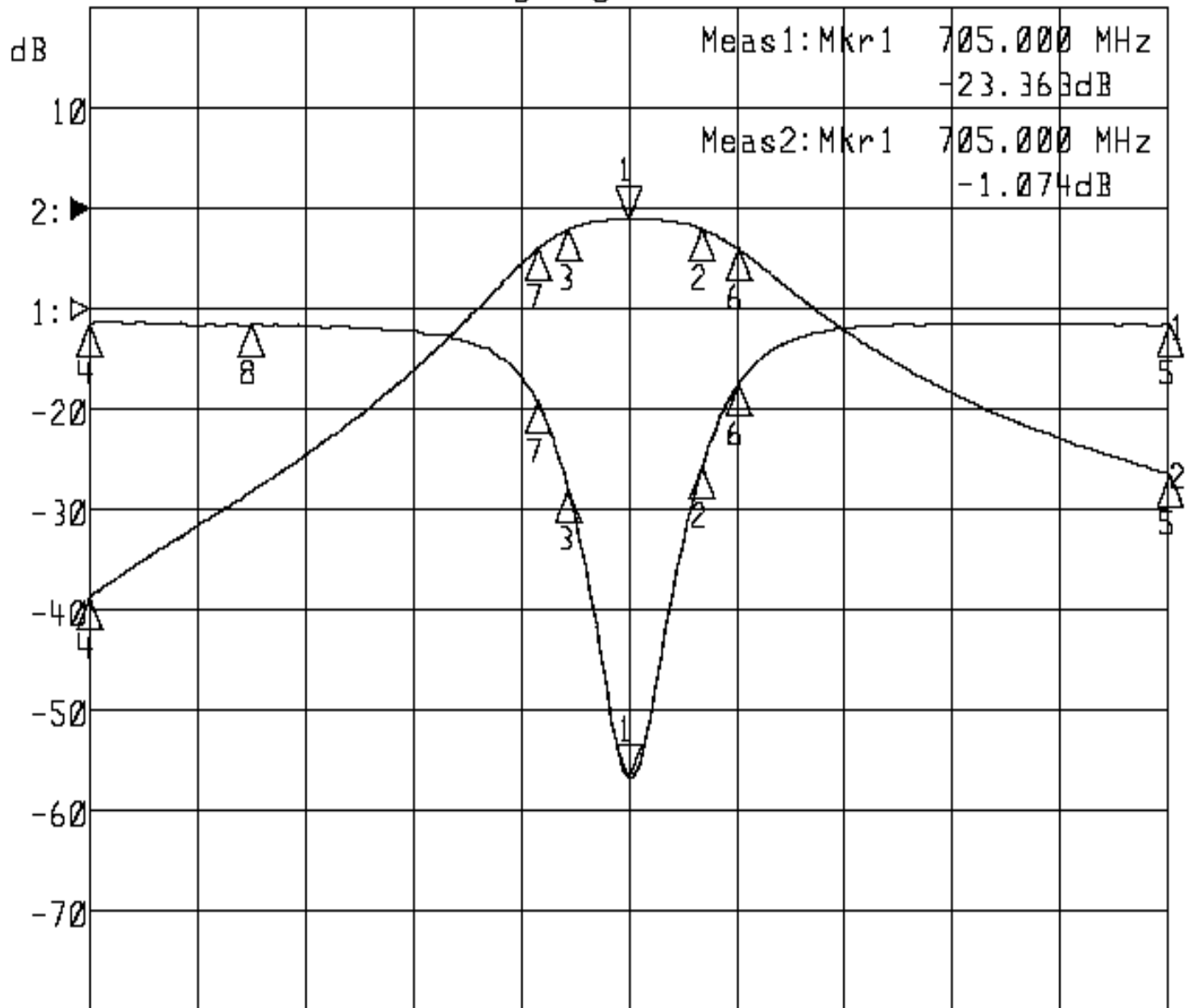
(3) Electric Character			
Item		Specify	Performance
Center Freq.(Fo ) +/- 0.5 %		705 MHz	705 MHz
Tunable Range		705±5 MHz	705±5 MHz
Insertion Loss	Typ.	2.0 dB	1.1 dB
-1 dB Bandwidth	Typ.	34 MHz	37 MHz
-3 dB Bandwidth	Typ.	39 MHz	42 MHz
Sensitivity (Attenuation)	Fo - 150 MHz	Typ.	34 dBc
	Fo + 150 MHz	Typ.	22 dBc
	Fo - ( )MHz	Typ.	dBc
	Fo +( )MHz	Typ.	dBc
Return Loss	Min.	12 dB	23.0 dB
Ripple		< 1 dB	dB
Impedance		In / Out : 75 Ω	In / Out : 75 Ω
(4) Torque for Tuning Screw		> 100gf • cm	
(5) Temperature Condition:			
Operating Temperature		0°C ~ +60°C	
Storage Temperature		-20°C ~ +70°C	
(6) Input Power		> 1Watt	
Approval	Supervisor	Designer	Aperture size
C. Y.Chang	C.S.Chang	C.S.Chang	7H2S(4*7.5) 7H046LB5

TEMWELL CORPORATION

# Performance- TDL67535A-705M

## 20208012DC

▶1:S11 Refl Port1 Log Mag 5.0 dB/ Ref 0.00 dB C?  
 ▶2:S12 Rev Trans Log Mag 10.0 dB/ Ref 0.00 dB C?



Center 705.000 MHz

Span 300.000 MHz

1: Mkr (MHz)	dB	2: Mkr (MHz)	dB
1> 705.0000	-23.363	1> 705.0000	-1.074
2: 725.5000	-7.911	2: 725.5000	-2.025
3: 688.3333	-8.992	3: 688.3333	-2.058
4: 555.0000	-0.733	4: 555.0000	-38.653
5: 855.0000	-0.758	5: 855.0000	-26.399
6: 735.7000	-3.710	6: 735.7000	-4.085
7: 679.6667	-4.616	7: 679.6667	-4.084
8: 600.0000	-0.799		