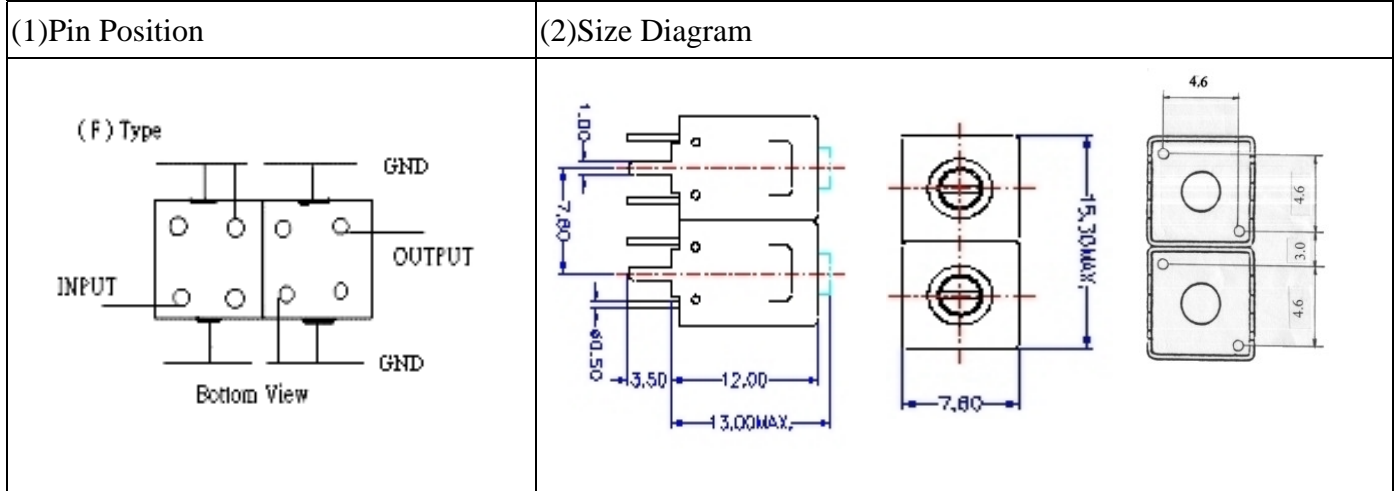


VHF UHF Helical Filter Specification Sheet

Customer Name		Temwell's Part No.	TDL67531F-565M
Approval No. /dated	20208008DC	Acceptable Specify Fo. Range	556~595MHz
Work Instruction No.	20208008DC	Date	2002.08.08



(3) Electric Character

Item	Specify	Performance
Center Freq.(Fo) +/- 0.5 %	565 MHz	565 MHz
Tunable Range	565±5 MHz	565±5 MHz
Insertion Loss	Typ. 1.5 dB	0.5 dB
-1 dB Bandwidth	Typ. 40 MHz	43 MHz
-3 dB Bandwidth	Typ. 45 MHz	48 MHz
Sensitivity (Attenuation)	Fo - 100 MHz	Typ. 23 dBc
	Fo + 100 MHz	Typ. 12 dBc
	Fo - ()MHz	Typ. dBc
	Fo +()MHz	Typ. dBc
Return Loss	Min. 12 dB	25.4 dB
Ripple	< 1 dB	dB
Impedance	In / Out : 75 Ω	In / Out : 75 Ω
(4) Torque for Tuning Screw	> 100gf · cm	

(5) Temperature Condition:

Operating Temperature	0°C ~ +60°C
Storage Temperature	-20°C ~ +70°C
(6) Input Power	> 1Watt

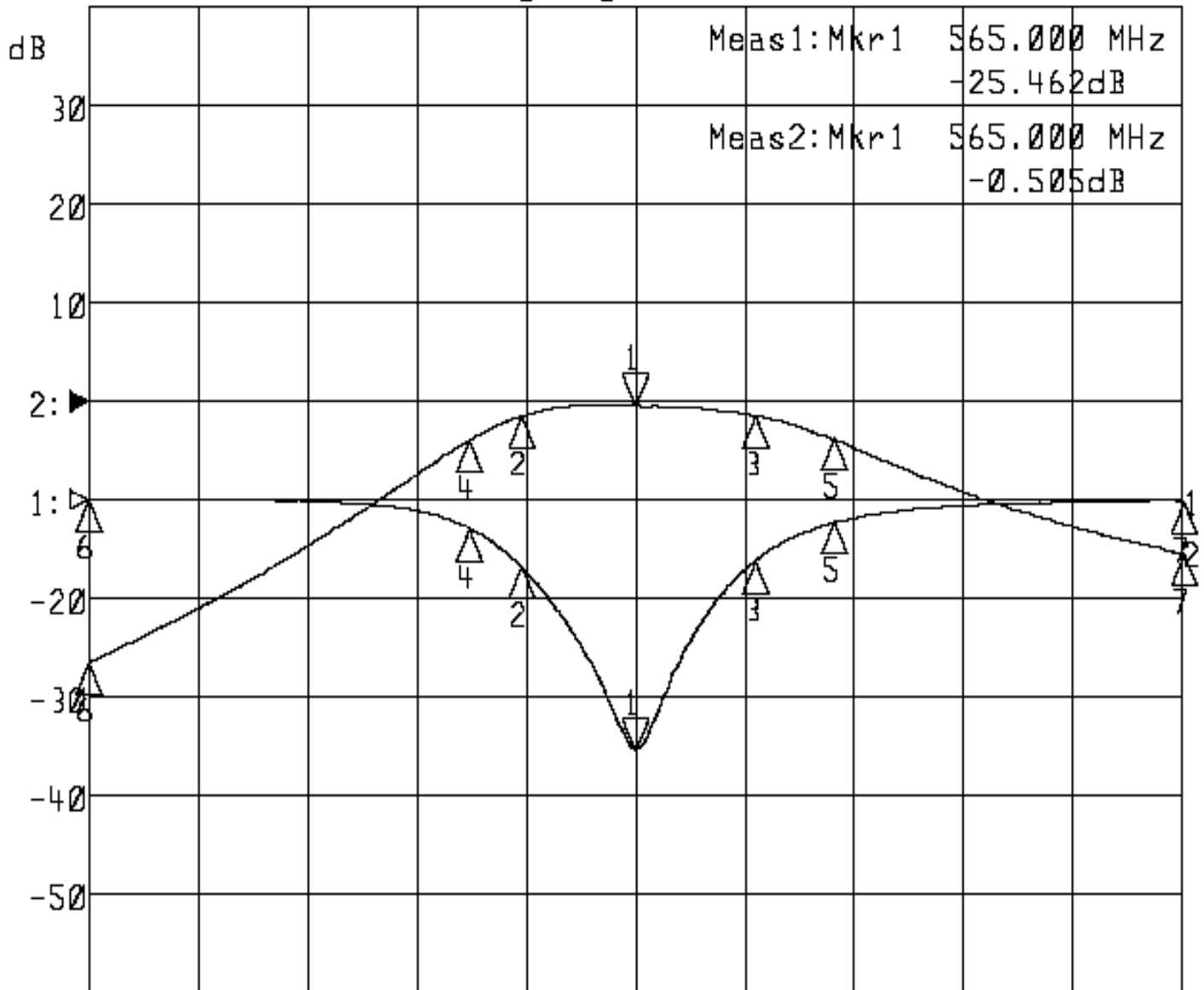
Approval	Supervisor	Designer	Aperture size
C.Y.Chang	C.S.Chang	C.S.Chang	7H2(4*7.5)F 7H046LB5

TEMWELL CORPORATION

Performance- TDL67531F-565M

20208008DC

▷1:S22 Refl Port2 Log Mag 10.0 dB/ Ref 0.00 dB C
 ▼2:S21 Fwd Trans Log Mag 10.0 dB/ Ref 0.00 dB C



Meas1:Mkr1 565.000 MHz
 -25.462dB
 Meas2:Mkr1 565.000 MHz
 -0.505dB

Center 565.000 MHz

Span 200.000 MHz

1:Mkr (MHz)	dB	2:Mkr (MHz)	dB
1> 565.0000	-25.462	1> 565.0000	-0.505
2: 544.2667	-6.817	2: 544.2667	-1.485
3: 587.0000	-6.138	3: 587.0000	-1.459
4: 534.8000	-2.905	4: 534.8000	-3.898
5: 601.2000	-2.366	5: 601.2000	-3.855
6: 465.0000	0.006	6: 465.0000	-26.531
7: 665.0000	-0.142	7: 665.0000	-15.460