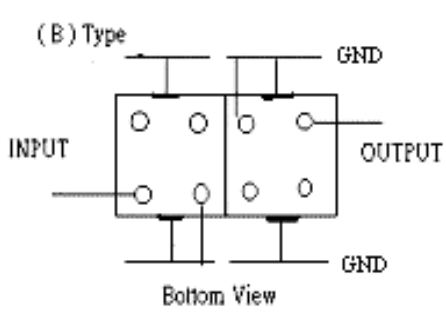
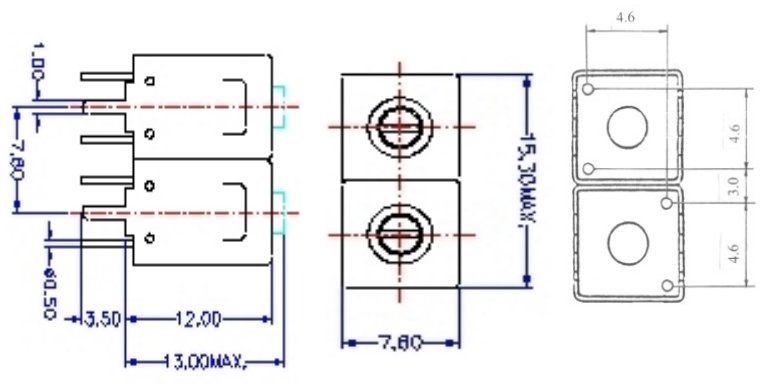


VHF UHF Helical Filter Specification Sheet

Customer Name		Temwell's Part No.	TDL6746B-471.5M
Approval No. /dated	20407046DB	Acceptable Specify Fo. Range	456~515MHz
Work Instruction No.	20407046DB	Date	Jul.16.2004

<p>(1)Pin Position</p>  <p style="text-align: center;">Bottom View</p>	<p>(2)Size Diagram</p> 
---	---

(3)Electric Character

Item	Specify	Performance
Center Freq.(Fo) +/- 0.5 %	471.5 MHz	471.5 MHz
Tunable Range	471.5±5 MHz	471.5±5 MHz
Insertion Loss	Typ. 3.0 dB	2.31 dB
-3 dB Bandwidth	Typ. 14 MHz	16 MHz
Sensitivity (Attenuation)	Fo - 40 MHz	Typ. 19 dBc
	Fo + 40 MHz	Typ. 27 dBc
	Fo - ()MHz	Typ. dBc
	Fo +()MHz	Typ. dBc
Return Loss	Min. 12 dB	27.6 dB
Ripple	< 1 dB	dB
Impedance	In / Out : 75 Ω	In / Out : 75 Ω
(4)Torque for Tuning Screw	> 100gf • cm	

(5)Temperature Condition:

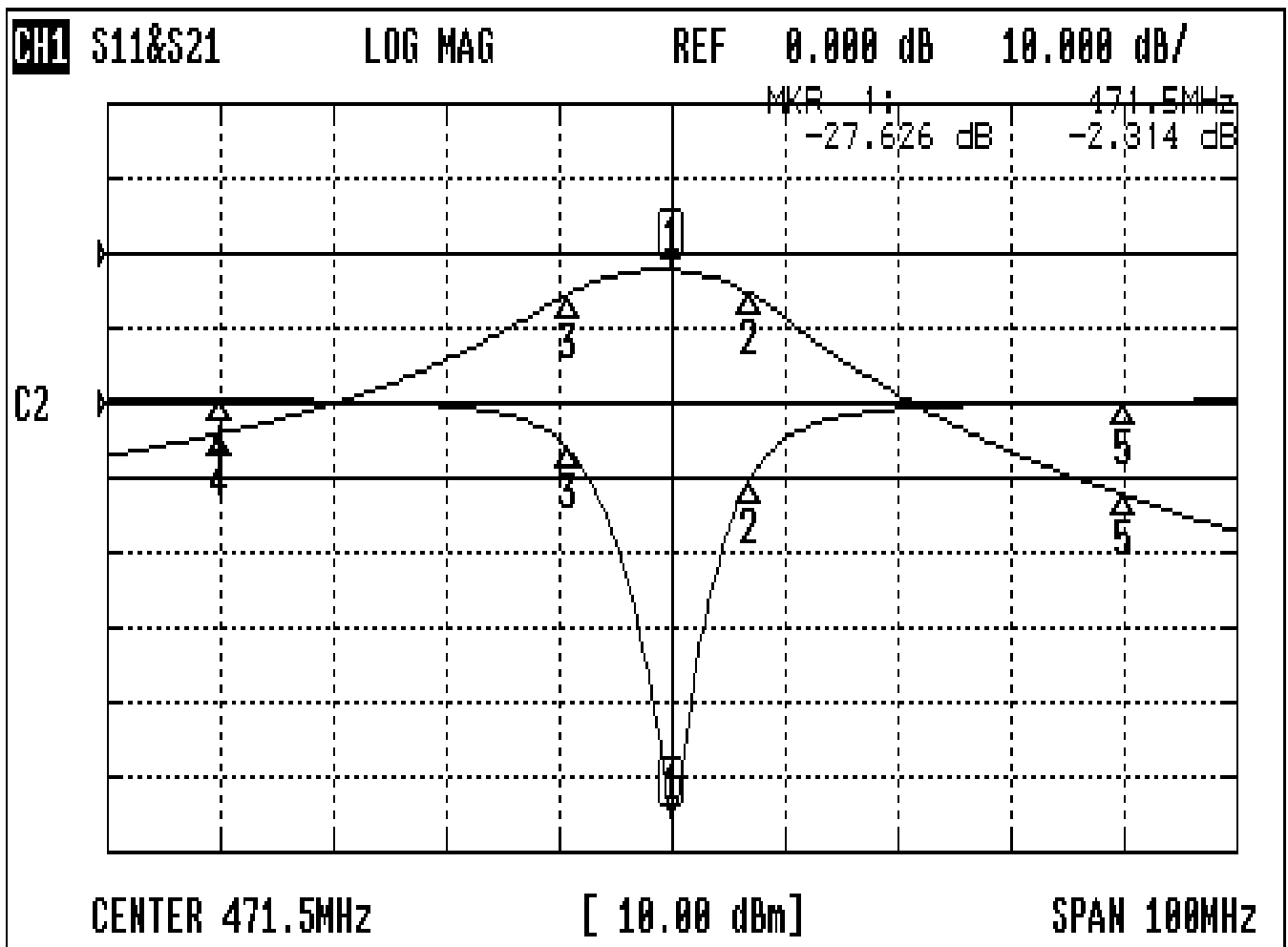
Operating Temperature	0°C ~ +60°C
Storage Temperature	-20°C ~ +70°C
(6)Input Power	> 1Watt

Approval	Supervisor	Designer	Aperture size
C.Y.Chang	C.S.Chang	C.S.Chang	7H2S,4*6.5(6.62) 7H046LB4 聚 3

TEMWELL CORPORATION

Performance- TDL6746B-471.5M

20407046DB



CH1 MARKER LIST

1:	471.500MHz	-27.626 dB	-2.314 dB
2:	478.333MHz	-5.360 dB	-5.367 dB
3:	462.416MHz	-3.163 dB	-5.388 dB
4:	431.500MHz	0.177 dB	-24.047 dB
5:	511.500MHz	0.086 dB	-32.340 dB
6:			
7:			
8:			
9:			
10:			