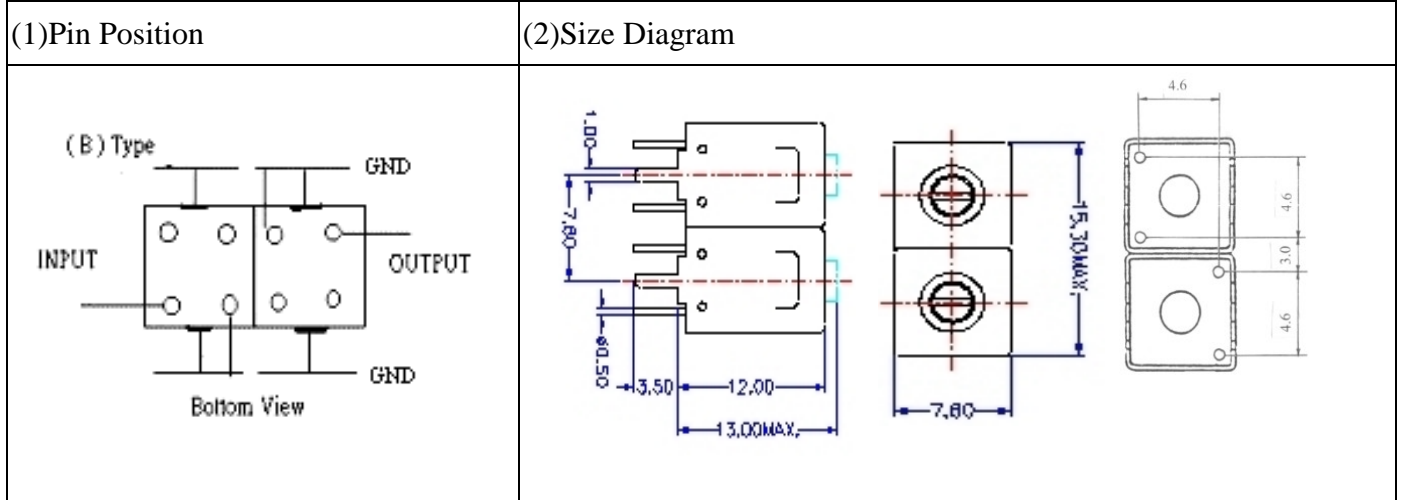


VHF UHF Helical Filter Specification Sheet

Customer Name		Temwell's Part No.	TDL6732B-229.2M
Approval No. /dated	20310054DB	Acceptable Specify Fo. Range	221~245MHz
Work Instruction No.	20310054DB	Date	Oct, 31, 2003



(3)Electric Character

Item	Specify	Performance	
Center Freq.(Fo) +/- 0.5 %	229.2 MHz	229.2 MHz	
Tunable Range	229.2±4 MHz	229.2±4 MHz	
Insertion Loss	Typ. 2.5 dB	1.7 dB	
-3 dB Bandwidth	Typ. 8 MHz	9 MHz	
Sensitivity (Attenuation)	Fo - 20 MHz	Typ. 19 dBc	22 dBc
	Fo + 20 MHz	Typ. 23 dBc	26 dBc
	Fo - ()MHz	Typ. dBc	dBc
	Fo +()MHz	Typ. dBc	dBc
Return Loss	Min. 12 dB	17.6 dB	
Ripple	< 1 dB	dB	
Impedance	In / Out : 75 Ω	In / Out : 75 Ω	

(4)Torque for Tuning Screw > 100gf • cm

(5)Temperature Condition:

Operating Temperature	0°C ~ +60°C
Storage Temperature	-20°C ~ +70°C

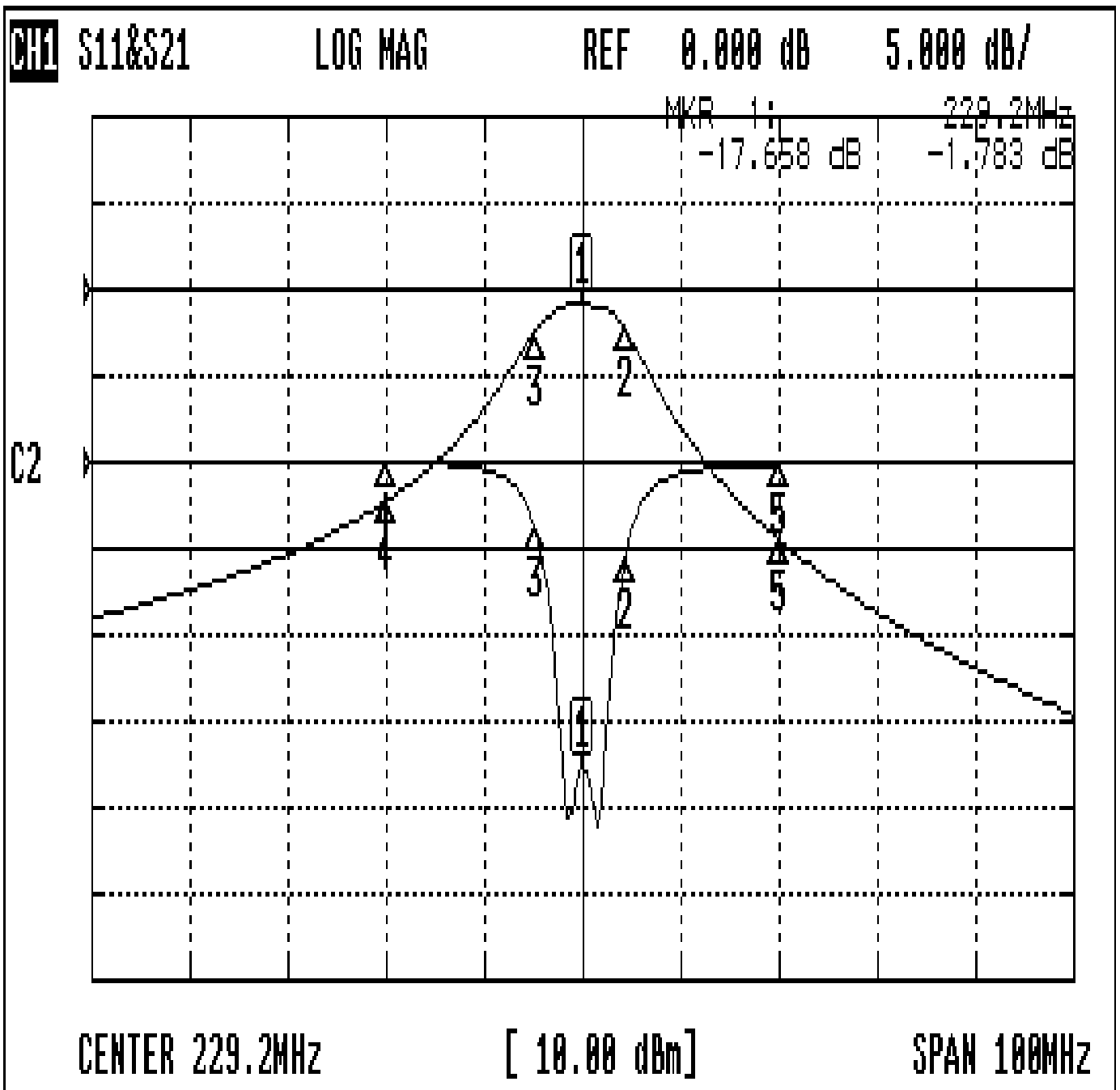
(6)Input Power > 1Watt

Approval	Supervisor	Designer	Aperture size
C.Y.Chang	C.S.Chang	C.S.Chang	7H2 (4*5.5)(4*5.4) 7H024LB4

TEMWELL CORPORATION

Performance- TDL6732B-229.2M

20310054DB



CH1 MARKER LIST

1:	229.200MHz	-17.658 dB	-1.783 dB
2:	233.650MHz	-5.336 dB	-4.733 dB
3:	224.366MHz	-3.756 dB	-4.797 dB
4:	209.200MHz	-0.030 dB	-24.427 dB
5:	249.200MHz	-0.127 dB	-28.947 dB