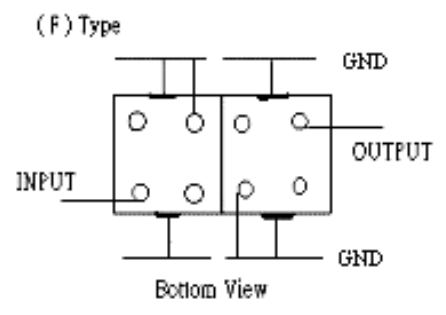
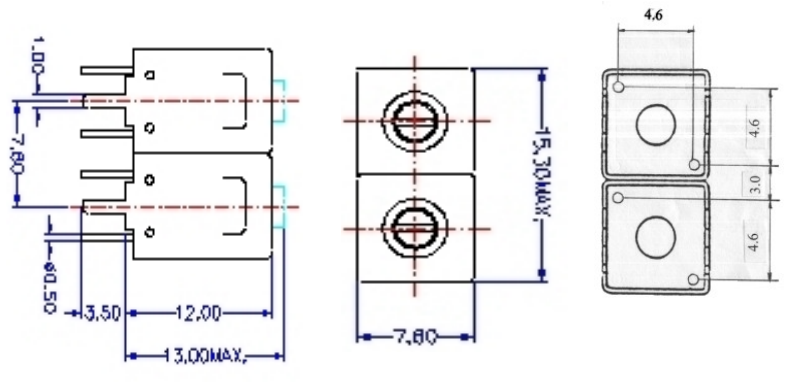


VHF UHF Helical Filter Specification Sheet

Customer Name		Temwell's Part No.	TDL67318F-470M
Approval No. /dated	20404079DC	Acceptable Specify Fo. Range	456~515MHz
Work Instruction No.	20404079DC	Date	May.18.2004

(1)Pin Position	(2)Size Diagram
<p>(F) Type</p>  <p>Bottom View</p>	

(3)Electric Character

Item	Specify	Performance
Center Freq.(Fo) +/- 0.5 %	470 MHz	470 MHz
Tunable Range	470±5 MHz	470±5 MHz
Insertion Loss	Typ. 2.0 dB	1.2 dB
-3 dB Bandwidth	Typ. 21 MHz	23 MHz
Sensitivity (Attenuation)	Fo - 50 MHz	Typ. 27 dBc
	Fo + 50 MHz	Typ. 17 dBc
	Fo - ()MHz	Typ. dBc
	Fo +()MHz	Typ. dBc
Return Loss	Min. 12 dB	23.1 dB
Ripple	< 1 dB	dB
Impedance	In / Out : 75 Ω	In / Out : 75 Ω

(4)Torque for Tuning Screw	> 100gf · cm
----------------------------	--------------

(5)Temperature Condition:

Operating Temperature	0°C ~ +60°C
Storage Temperature	-20°C ~ +70°C

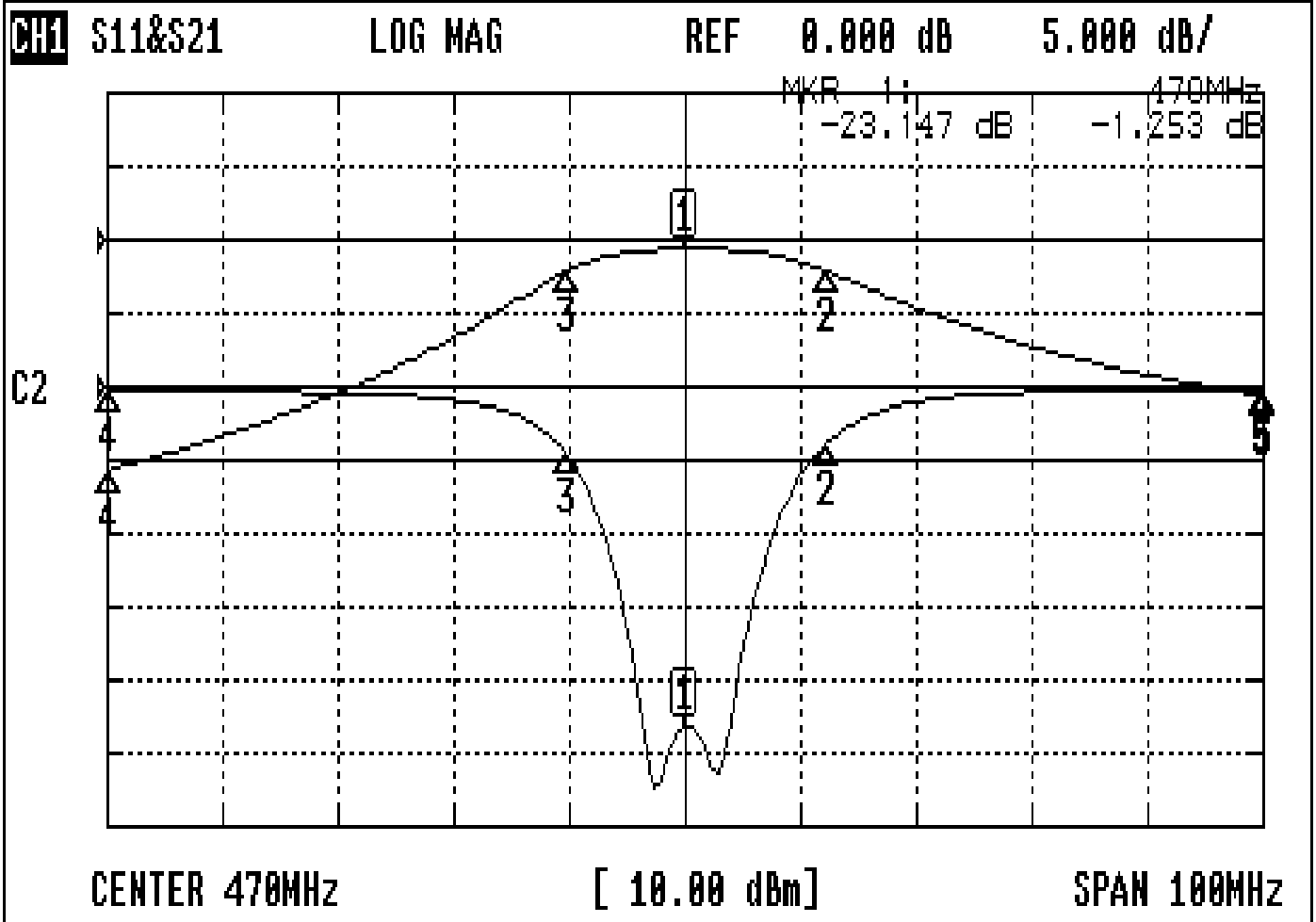
(6)Input Power	> 1Watt
----------------	---------

Approval	Supervisor	Designer	Aperture size
C.Y.Chang	C.S.Chang	C.S.Chang	7H2 (4*6.5)(6.58) 7H046LB4 聚 3

TEMWELL CORPORATION

Performance- TDL67318F-470M

20404079DC



CH1 MARKER LIST

1:	470.000MHz	-23.147 dB	-1.253 dB
2:	482.250MHz	-3.884 dB	-4.239 dB
3:	459.750MHz	-4.537 dB	-4.273 dB
4:	420.000MHz	-0.267 dB	-31.454 dB
5:	520.000MHz	-0.210 dB	-21.166 dB
6:			
7:			
8:			
9:			
10:			