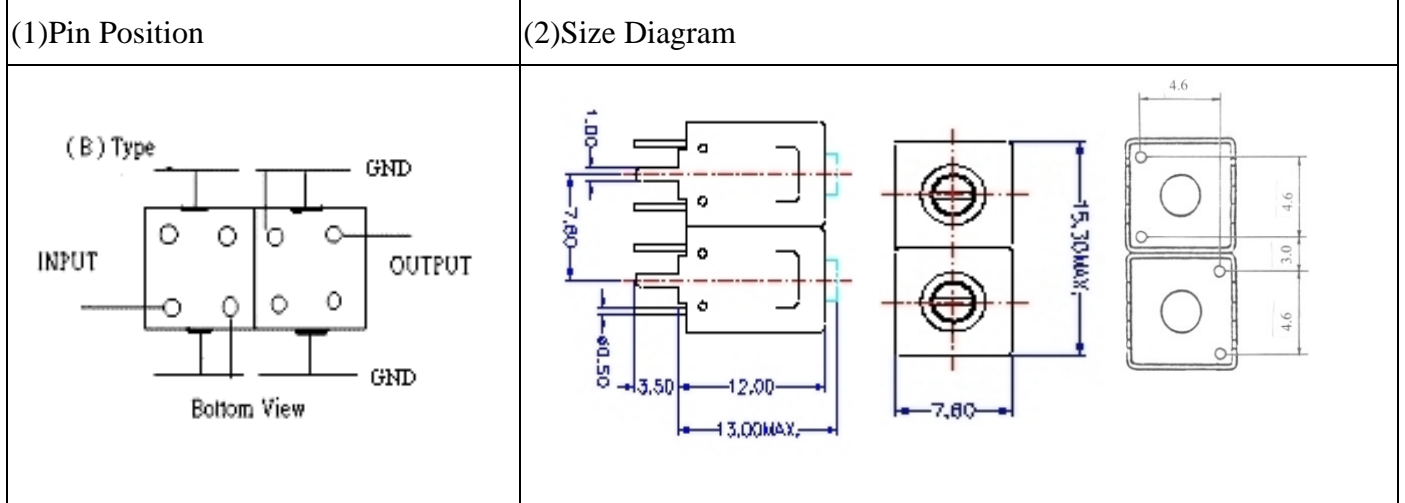


# VHF UHF Helical Filter Specification Sheet

Customer Name		Temwell's Part No.	TDL67203B-140M
Approval No. /dated	20206010DB	Acceptable Specify Fo. Range	126~145MHz
Work Instruction No.	20206010DB	Date	2002.06.13



(3) Electric Character			
Item	Specify	Performance	
Center Freq.(Fo ) +/- 0.5 %	140 MHz	140 MHz	
Tunable Range	140±2 MHz	140±2 MHz	
Insertion Loss	Typ. 2.5 dB	1.8 dB	
-3 dB Bandwidth	Typ. 8 MHz	9 MHz	
Sensitivity (Attenuation)	Fo - 50 MHz	Typ. 36 dBc	39 dBc
	Fo + 50 MHz	Typ. 40 dBc	43 dBc
	Fo - ( )MHz	Typ. dBc	dBc
	Fo +( )MHz	Typ. dBc	dBc
Return Loss	Min. 12 dB	26.0 dB	
Ripple	< 1 dB	dB	
Impedance	In / Out : 75 Ω	In / Out : 75 Ω	
(4) Torque for Tuning Screw	> 100gf • cm		

(5) Temperature Condition:	
Operating Temperature	0°C ~ +60°C
Storage Temperature	-20°C ~ +70°C
(6) Input Power	> 1Watt

Approval	Supervisor	Designer	Aperture size
C.Y.Chang	C.S.Chang	C.S.Chang	7H2S(4*6.5) 7H00LB4

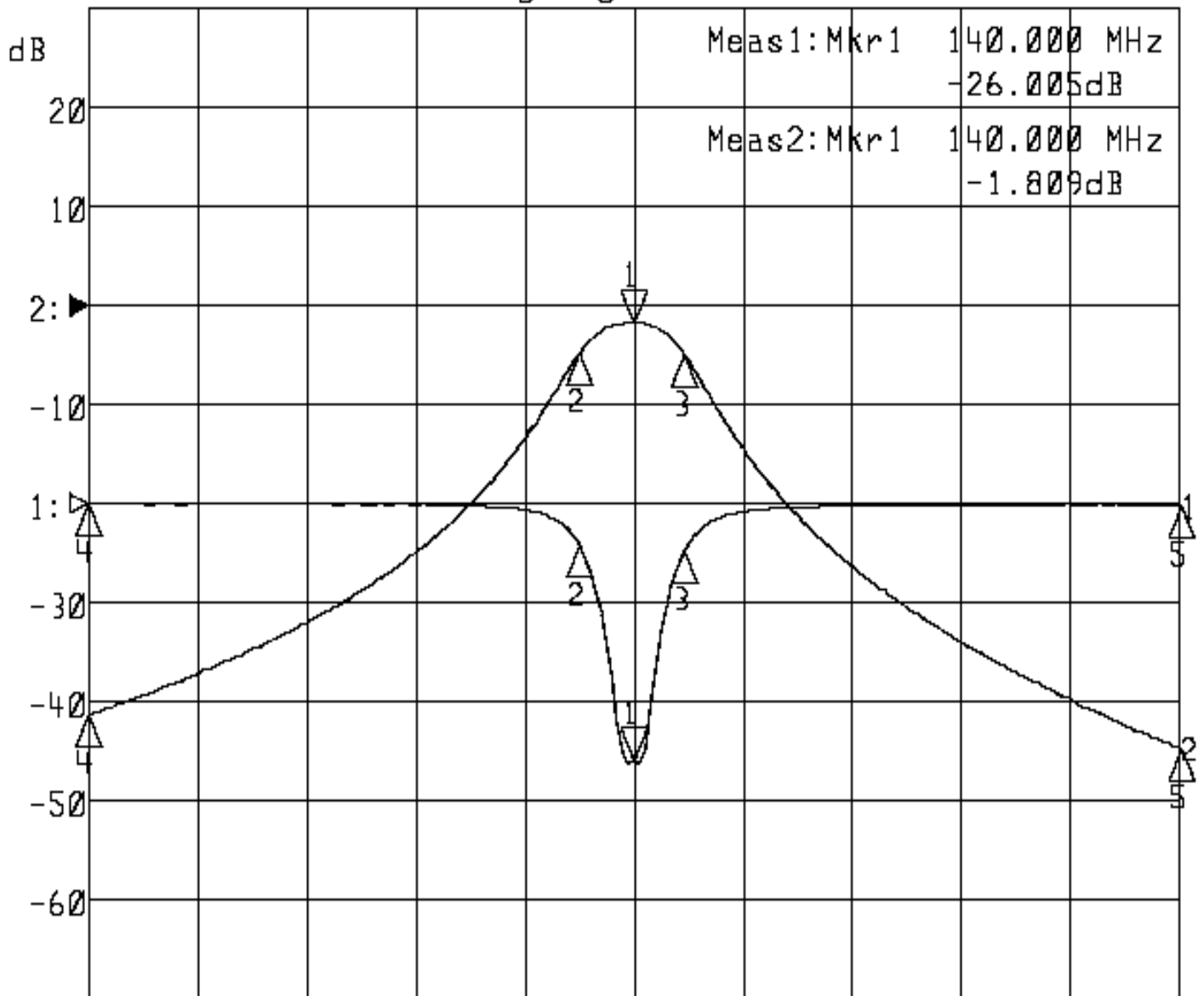
TEMWELL CORPORATION

# Performance- TDL67203B-140M

## 20206010DB

▶1:S11 Refl Port1 Log Mag 10.0 dB/ Ref 0.00 dB C

▶2:S21 Fwd Trans Log Mag 10.0 dB/ Ref 0.00 dB C



Center 140.000 MHz

Span 100.000 MHz

1: Mkr (MHz)	dB	2: Mkr (MHz)	dB
1> 140.0000	-26.005	1> 140.0000	-1.809
2: 135.0000	-4.157	2: 135.0000	-4.845
3: 144.6333	-4.795	3: 144.6333	-4.880
4: 90.0000	-0.038	4: 90.0000	-41.337
5: 190.0000	-0.149	5: 190.0000	-44.757