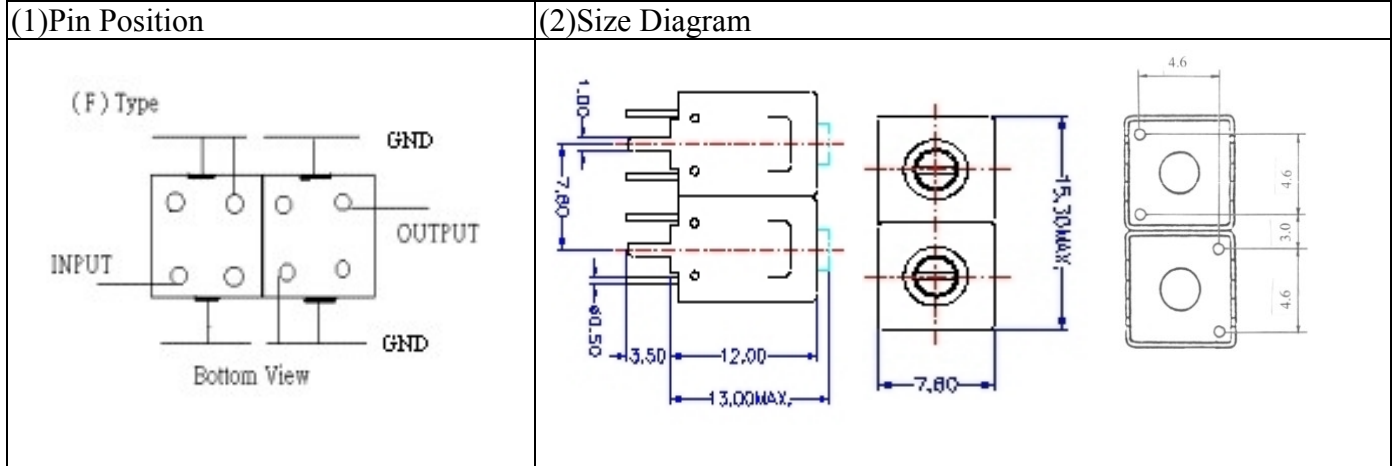


# VHF UHF Helical Filter Specification Sheet

Customer Name		Temwell's Part No.	TDL6284F-867.25M
Approval No. /dated	0612119APR	Acceptable Specify Fo Range	861~900 MHZ
Work Instruction No.	0612119DC	Date	Jan.04.2007



(3) Electric Character

Item	Specify	Performance
Center Freq.(Fo) +/- 0.5 %	867.25 MHz	867.25 MHz
Tunable Range	867.25±10 MHz	867.25±10 MHz
Insertion Loss	Typ. 5.5 dB	4.63 dB
-3 dB Bandwidth	Typ. 6 MHz	10.6 MHz
Sensitivity (Attenuation)	Fo - 20 MHz	Typ. 18 dB
	Fo + 20 MHz	Typ. 14 dB
	Fo - ( )MHz	Typ. dB
	Fo +( )MHz	Typ. dB
Return Loss	Min. 12 dB	21.7 dB
Ripple	< 1 dB	dB
Impedance	In / Out : 75 Ω	In / Out : 75 Ω

(4) Torque for Tuning Screw > 100gf · cm

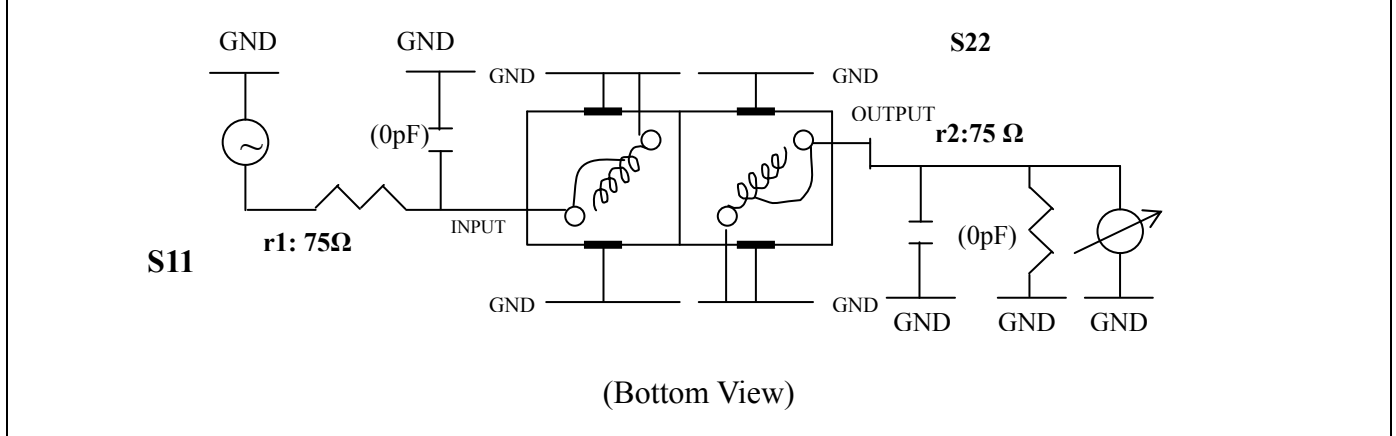
(5) Temperature Condition:

Operating Temperature	0°C ~ +60°C
-----------------------	-------------

Storage Temperature	-20°C ~ +70°C
---------------------	---------------

(6) Input Power > 1Watt

(7) Measuring Circuit: ※Easy to match Impedance 75Ω by parallel with about (0) pF.

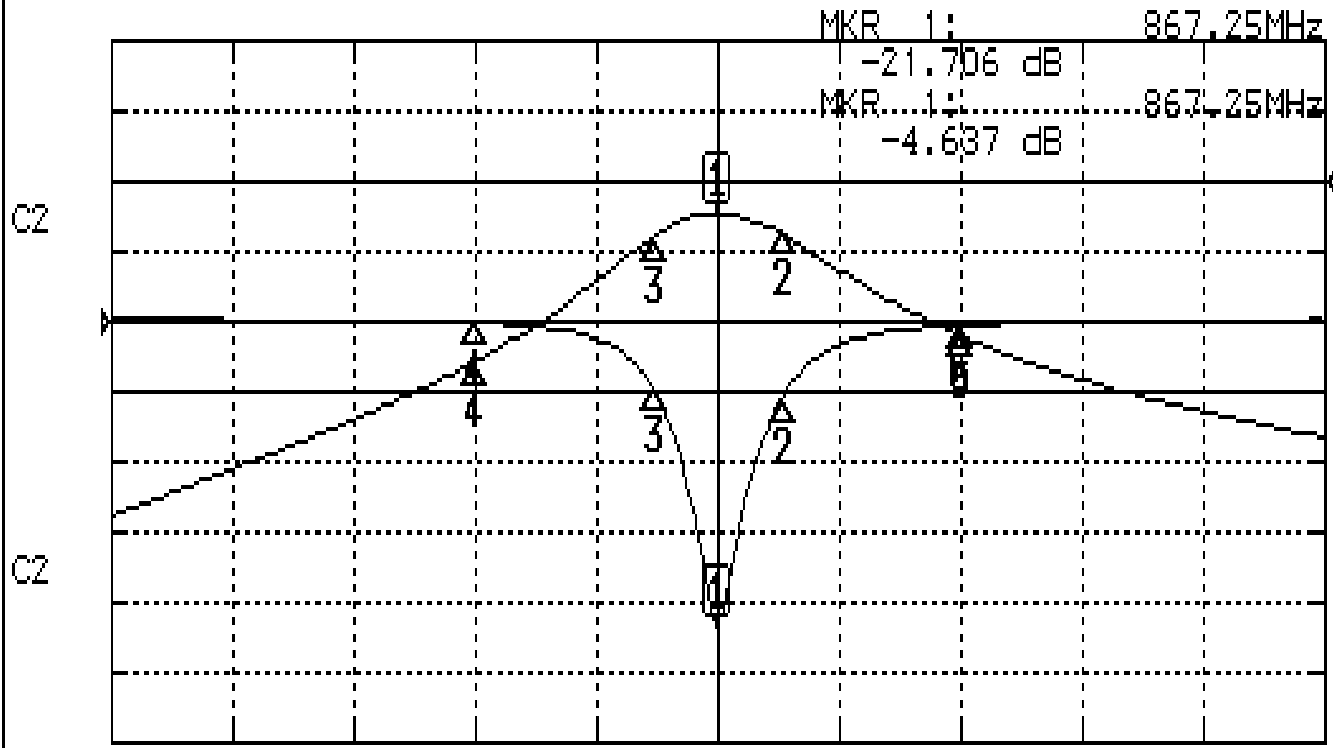


Approval	Supervisor	Designer	Aperture size
C.Y.Chang	C.S.Chang	P.H.Chiang	7H2( 4*4.5)F 7H046LB4 聚 3
TEMWELL CORPORATION			

# Performance-TDL6284F-867.25M

## 0612119DC

CH1 S11 LOG MAG REF 0.000 dB 5.000 dB/  
CH2 S21 LOG MAG REF 0.000 dB 10.000 dB/



CENTER 867.25MHz

[ 10.00 dBm ]

SPAN 100MHz

### CH1 MARKER LIST

1	867.250MHz	-21.706	dB
2	872.666MHz	-5.368	dB
3	862.000MHz	-4.821	dB
4	847.250MHz	-0.062	dB
5	887.250MHz	-0.264	dB

### CH2 MARKER LIST

1	867.250MHz	-4.637	dB
2	872.666MHz	-7.613	dB
3	862.000MHz	-7.694	dB
4	847.250MHz	-25.616	dB
5	887.250MHz	-21.996	dB