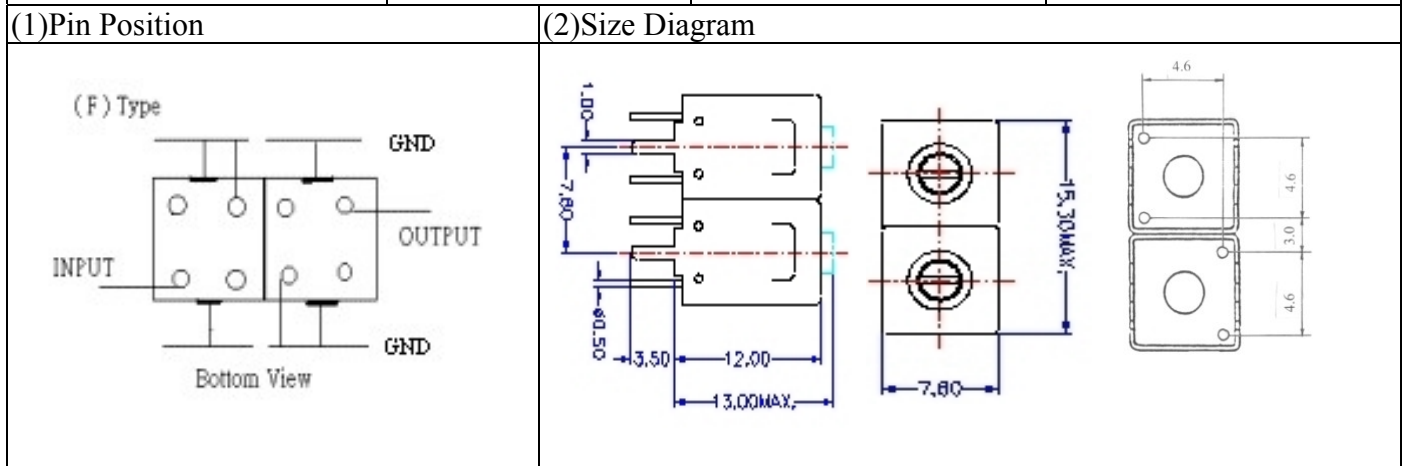


# VHF UHF Helical Filter Specification Sheet

Customer Name		Temwell's Part No.	TDL6279F-837.25M
Approval No. /dated	0612114APR	Acceptable Specify Fo Range	831~860 MHZ
Work Instruction No.	0612114DC	Date	Jan.04.2007



(3) Electric Character

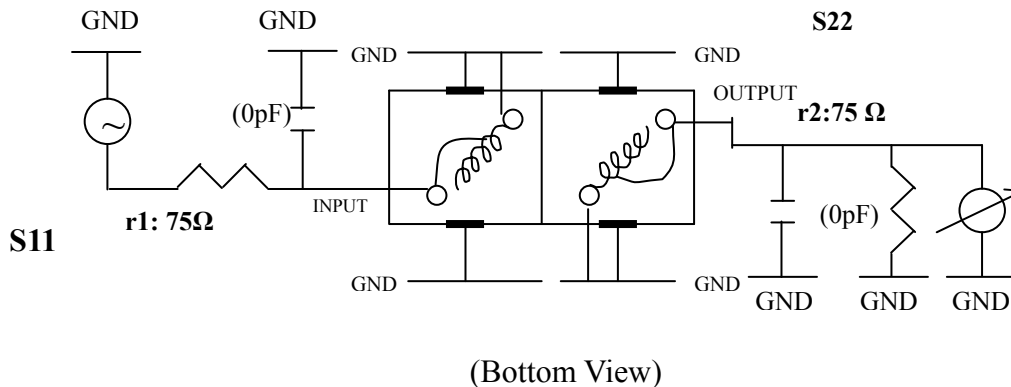
Item	Specify	Performance	
Center Freq.(Fo) +/- 0.5 %	837.25 MHz	837.25 MHz	
Tunable Range	837.25±10 MHz	837.25±10 MHz	
Insertion Loss	Typ. 5.5 dB	4.68 dB	
-3 dB Bandwidth	Typ. 7 MHz	11.5 MHz	
Sensitivity (Attenuation)	Fo - 20 MHz	Typ. 16 dB	19 dB
	Fo + 20 MHz	Typ. 13 dB	16 dB
	Fo - ( )MHz	Typ. dB	dB
	Fo +( )MHz	Typ. dB	dB
Return Loss	Min. 12 dB	20.1 dB	
Ripple	< 1 dB	dB	
Impedance	In / Out : 75 Ω	In / Out : 75 Ω	
(4) Torque for Tuning Screw	> 100gf · cm		

(5) Temperature Condition:

Operating Temperature	0°C ~ +60°C
Storage Temperature	-20°C ~ +70°C

(6) Input Power > 1Watt

(7) Measuring Circuit: ※Easy to match Impedance 75Ω by parallel with about (0) pF.



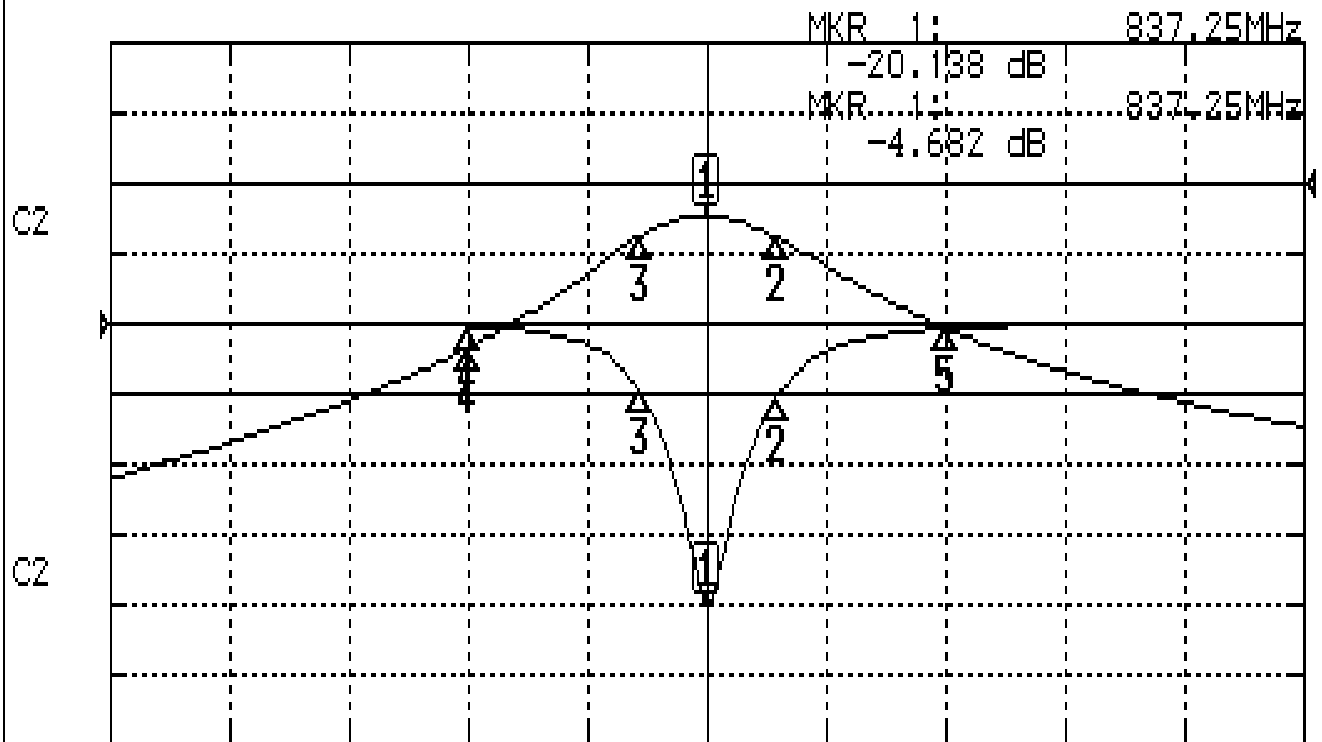
Approval	Supervisor	Designer	Aperture size
C.Y.Chang	C.S.Chang	P.H.Chiang	7H2( 4*4.5)F 7H046LB4 聚 3

TEMWELL CORPORATION

# Performance-TDL6279F-837.25M

## 0612114DC

CH1 S11 LOG MAG REF 0.000 dB 5.000 dB/  
CH2 S21 LOG MAG REF 0.000 dB 10.000 dB/



CENTER 837.25MHz

[ 10.00 dBm ]

SPAN 100MHz

### CH1 MARKER LIST

1:	837.250MHz	-20.143 dB
2:	843.083MHz	-5.339 dB
3:	831.500MHz	-4.582 dB
4:	817.250MHz	-0.149 dB
5:	857.250MHz	-0.337 dB

### CH2 MARKER LIST

1:	837.250MHz	-4.682 dB
2:	843.083MHz	-7.642 dB
3:	831.500MHz	-7.631 dB
4:	817.250MHz	-23.360 dB
5:	857.250MHz	-20.606 dB