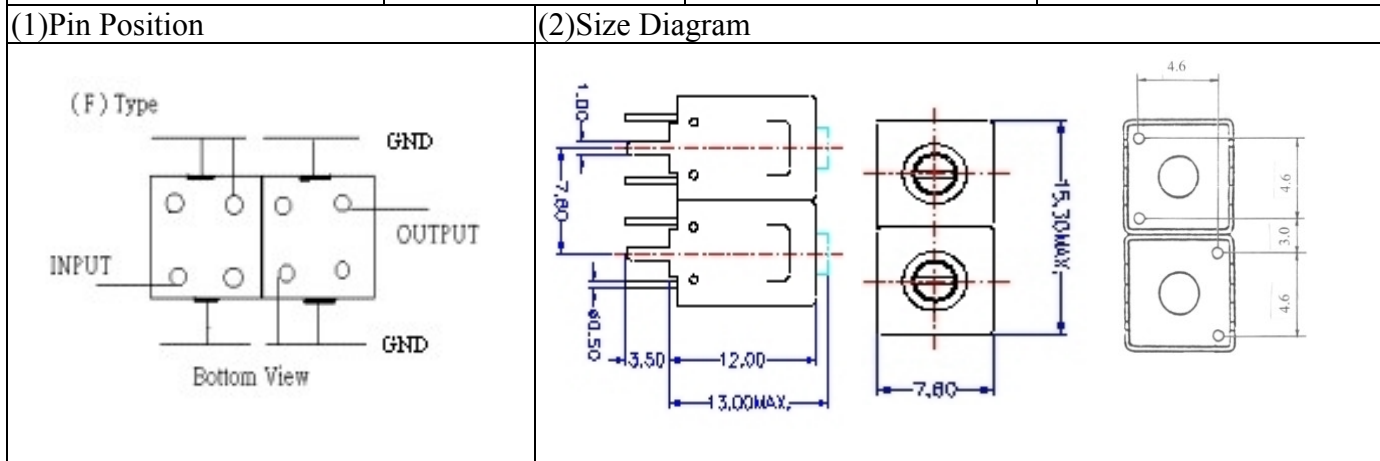


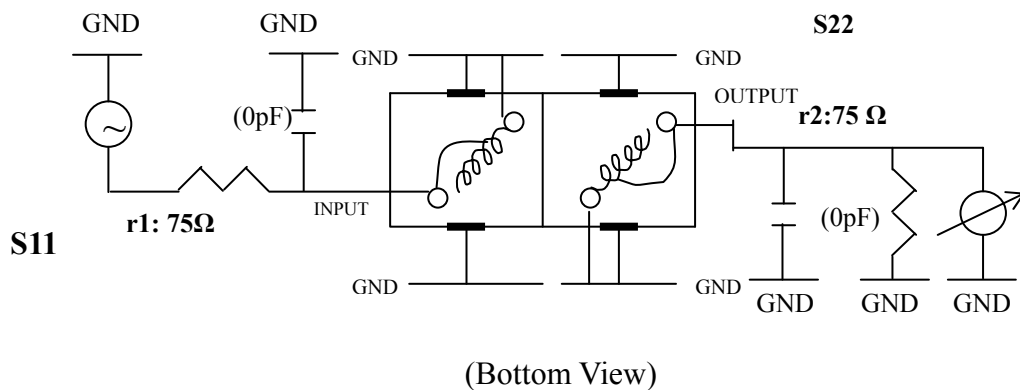
# VHF UHF Helical Filter Specification Sheet

Customer Name		Temwell's Part No.	TDL6277F-825.25M
Approval No. /dated	0612112APR	Acceptable Specify Fo Range	801~830 MHz
Work Instruction No.	0612112DC	Date	Jan.04.2007



(3) Electric Character			
Item	Specify	Performance	
Center Freq.(Fo) +/- 0.5 %	825.25 MHz	825.25 MHz	
Tunable Range	825.25±10 MHz	825.25±10 MHz	
Insertion Loss	Typ. 4.5 dB	3.67 dB	
-3 dB Bandwidth	Typ. 7 MHz	11.7 MHz	
Sensitivity (Attenuation)	Fo - 20 MHz	Typ. 18 dB	21 dB
	Fo + 20 MHz	Typ. 14 dB	17 dB
	Fo - ( )MHz	Typ. dB	dB
	Fo +( )MHz	Typ. dB	dB
Return Loss	Min. 12 dB	20.6 dB	
Ripple	< 1 dB	dB	
Impedance	In / Out : 75 Ω	In / Out : 75 Ω	
(4) Torque for Tuning Screw	> 100gf · cm		
(5) Temperature Condition:			
Operating Temperature	0°C ~ +60°C		
Storage Temperature	-20°C ~ +70°C		
(6) Input Power	> 1Watt		

(7) Measuring Circuit: ※Easy to match Impedance 75Ω by parallel with about (0) pF.

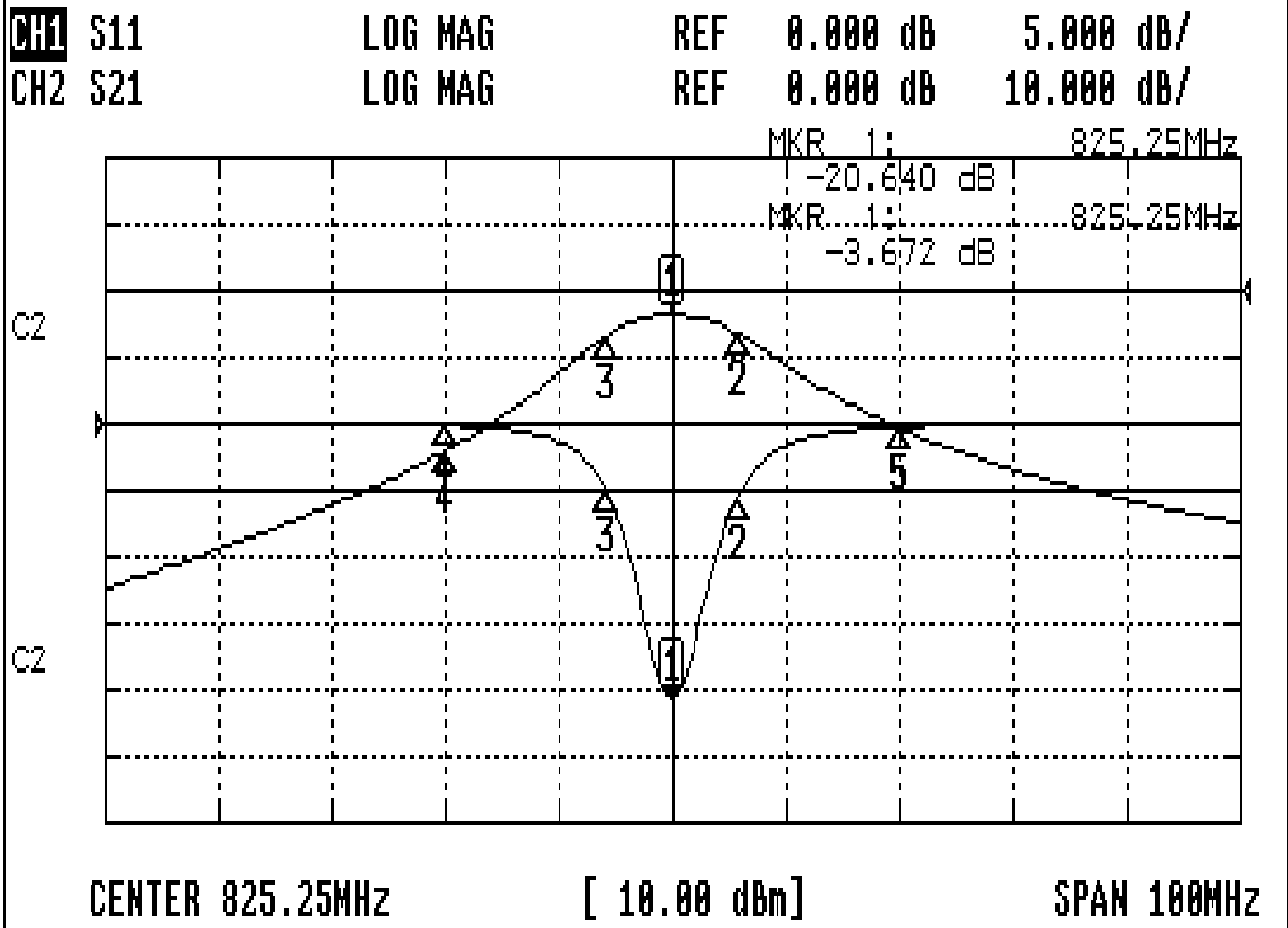


Approval	Supervisor	Designer	Aperture size
C.Y.Chang	C.S.Chang	P.H.Chiang	7H2( 4*4.5)F 7H046LB4 聚 3

TEMWELL CORPORATION

# Performance-TDL6277F-825.25M

## 0612112DC



### CH1 MARKER LIST

1:	825.250MHz	-20.640 dB
2:	831.166MHz	-5.353 dB
3:	819.416MHz	-4.904 dB
4:	805.250MHz	-0.094 dB
5:	845.250MHz	-0.226 dB

### CH2 MARKER LIST

1:	825.250MHz	-3.672 dB
2:	831.166MHz	-6.622 dB
3:	819.416MHz	-6.666 dB
4:	805.250MHz	-24.040 dB
5:	845.250MHz	-20.662 dB