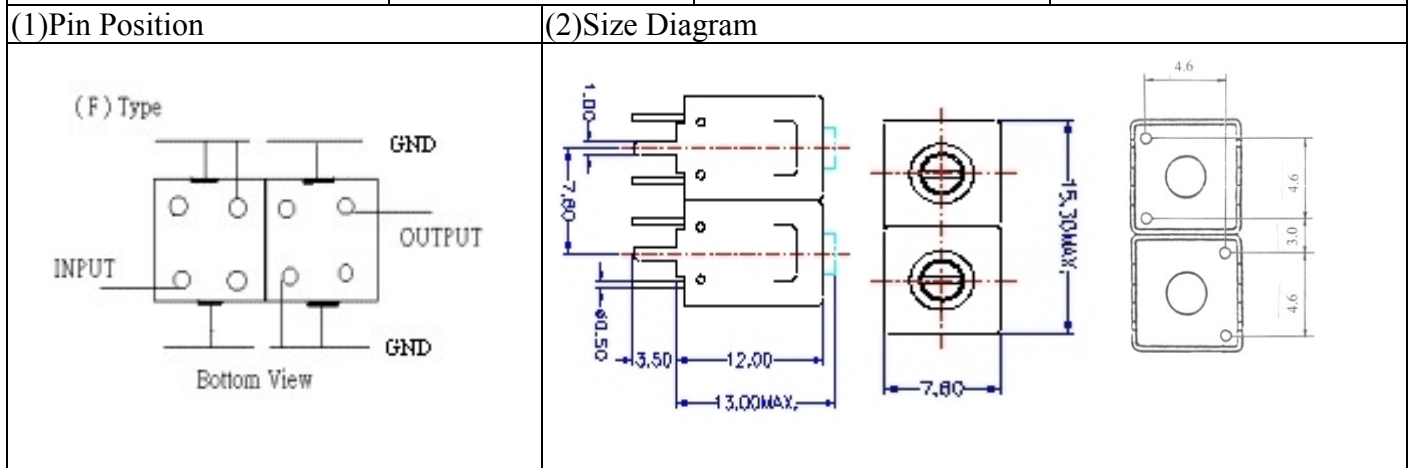


VHF UHF Helical Filter Specification Sheet

Customer Name		Temwell's Part No.	TDL6273F-801.25M
Approval No. /dated	0612108APR	Acceptable Specify Fo Range	801~830 MHz
Work Instruction No.	0612108DC	Date	Jan.04.2007



(3) Electric Character

Item	Specify	Performance	
Center Freq.(Fo) +/- 0.5 %	801.25 MHz	801.25 MHz	
Tunable Range	801.25±10 MHz	801.25±10 MHz	
Insertion Loss	Typ. 5.0 dB	3.91 dB	
-3 dB Bandwidth	Typ. 7 MHz	11.5 MHz	
Sensitivity (Attenuation)	Fo - 20 MHz	Typ. 18 dB	21 dB
	Fo + 20 MHz	Typ. 14 dB	17 dB
	Fo - ()MHz	Typ. dB	dB
	Fo +()MHz	Typ. dB	dB
Return Loss	Min. 12 dB	25.8 dB	
Ripple	< 1 dB	dB	
Impedance	In / Out : 75 Ω	In / Out : 75 Ω	
(4) Torque for Tuning Screw	> 100gf · cm		

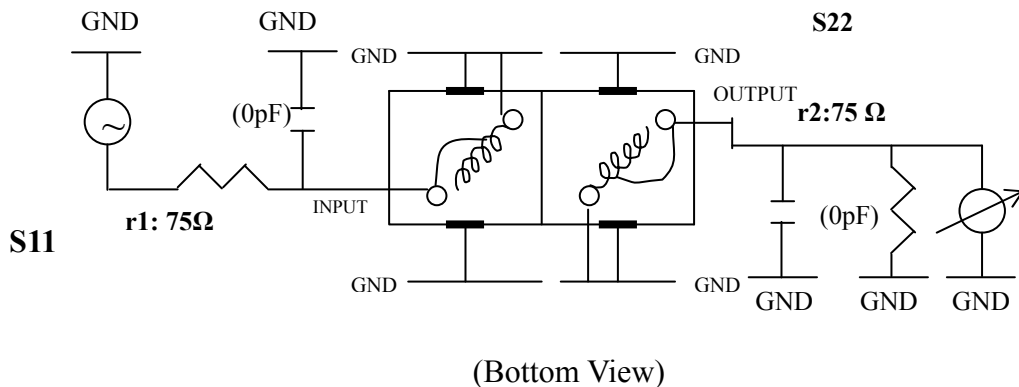
(5) Temperature Condition:

Operating Temperature	0°C ~ +60°C
Storage Temperature	-20°C ~ +70°C

(6) Input Power

> 1 Watt

(7) Measuring Circuit: ※Easy to match Impedance 75Ω by parallel with about (0) pF.



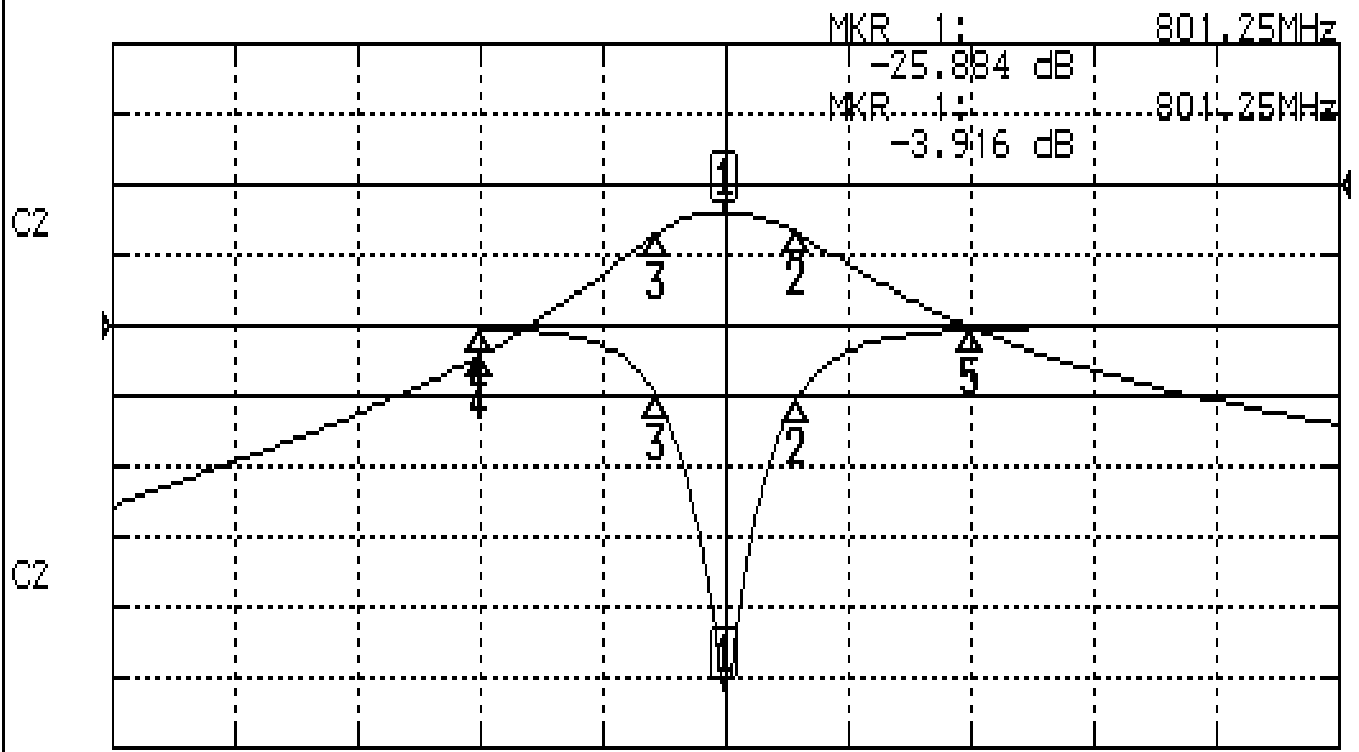
Approval	Supervisor	Designer	Aperture size
C.Y.Chang	C.S.Chang	P.H.Chiang	7H2(4*4.5)F 7H046LB4 聚 3

TEMWELL CORPORATION

Performance-TDL6273F-801.25M

0612108DC

CH1 S11 LOG MAG REF 0.000 dB 5.000 dB/
CH2 S21 LOG MAG REF 0.000 dB 10.000 dB/



CENTER 801.25MHz

[10.00 dBm]

SPAN 100MHz

CH1 MARKER LIST

1	801.250MHz	-25.884 dB
2	807.083MHz	-5.389 dB
3	795.583MHz	-4.964 dB
4	781.250MHz	-0.156 dB
5	821.250MHz	-0.309 dB

CH2 MARKER LIST

1	801.250MHz	-3.916 dB
2	807.083MHz	-6.924 dB
3	795.583MHz	-6.958 dB
4	781.250MHz	-24.288 dB
5	821.250MHz	-20.316 dB