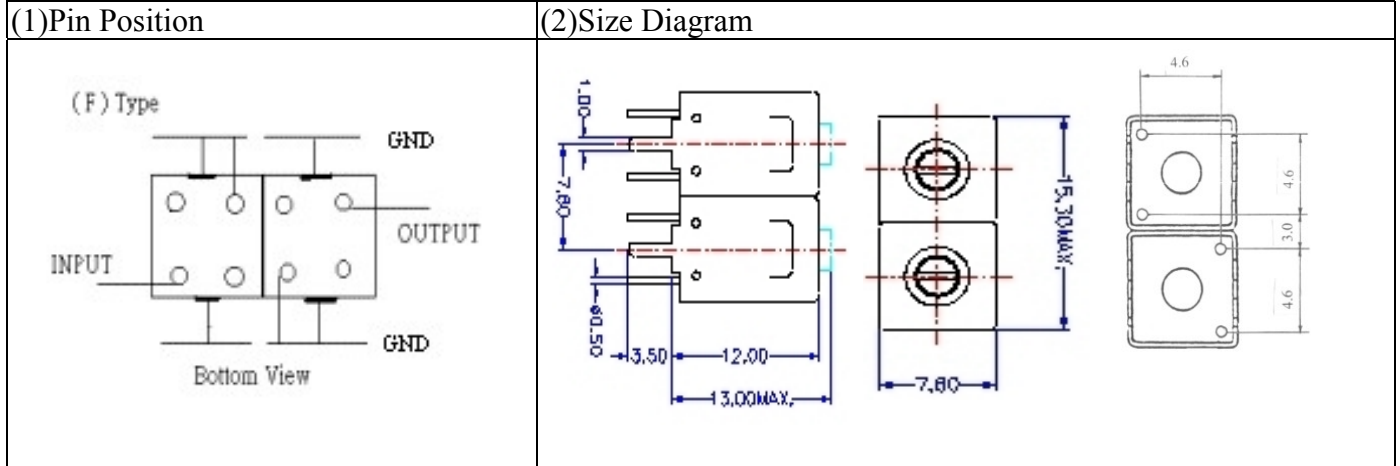


VHF UHF Helical Filter Specification Sheet

Customer Name		Temwell's Part No.	TDL6272F-795.25M
Approval No. /dated	0612107APR	Acceptable Specify Fo Range	751~800 MHZ
Work Instruction No.	0612107DC	Date	Jan.04.2007



(3) Electric Character

Item	Specify	Performance
Center Freq.(Fo) +/- 0.5 %	795.25 MHz	795.25 MHz
Tunable Range	795.25±5 MHz	795.25±5 MHz
Insertion Loss	Typ. 5.0 dB	4.07 dB
-3 dB Bandwidth	Typ. 6 MHz	10.8 MHz
Sensitivity (Attenuation)	Fo - 20 MHz	Typ. 17 dB
	Fo + 20 MHz	Typ. 13 dB
	Fo - ()MHz	Typ. dB
	Fo +()MHz	Typ. dB
Return Loss	Min. 12 dB	39.7 dB
Ripple	< 1 dB	dB
Impedance	In / Out : 75 Ω	In / Out : 75 Ω
(4) Torque for Tuning Screw	> 100gf • cm	

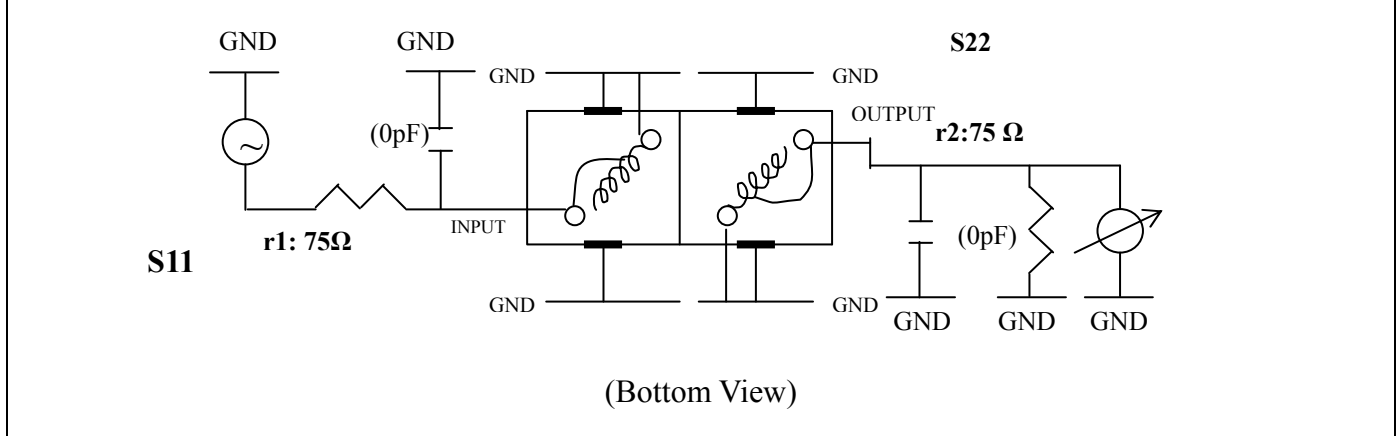
(5) Temperature Condition:

Operating Temperature	0°C ~ +60°C
Storage Temperature	-20°C ~ +70°C

(6) Input Power

	> 1Watt
--	---------

(7) Measuring Circuit: ※Easy to match Impedance 75Ω by parallel with about (0) pF.



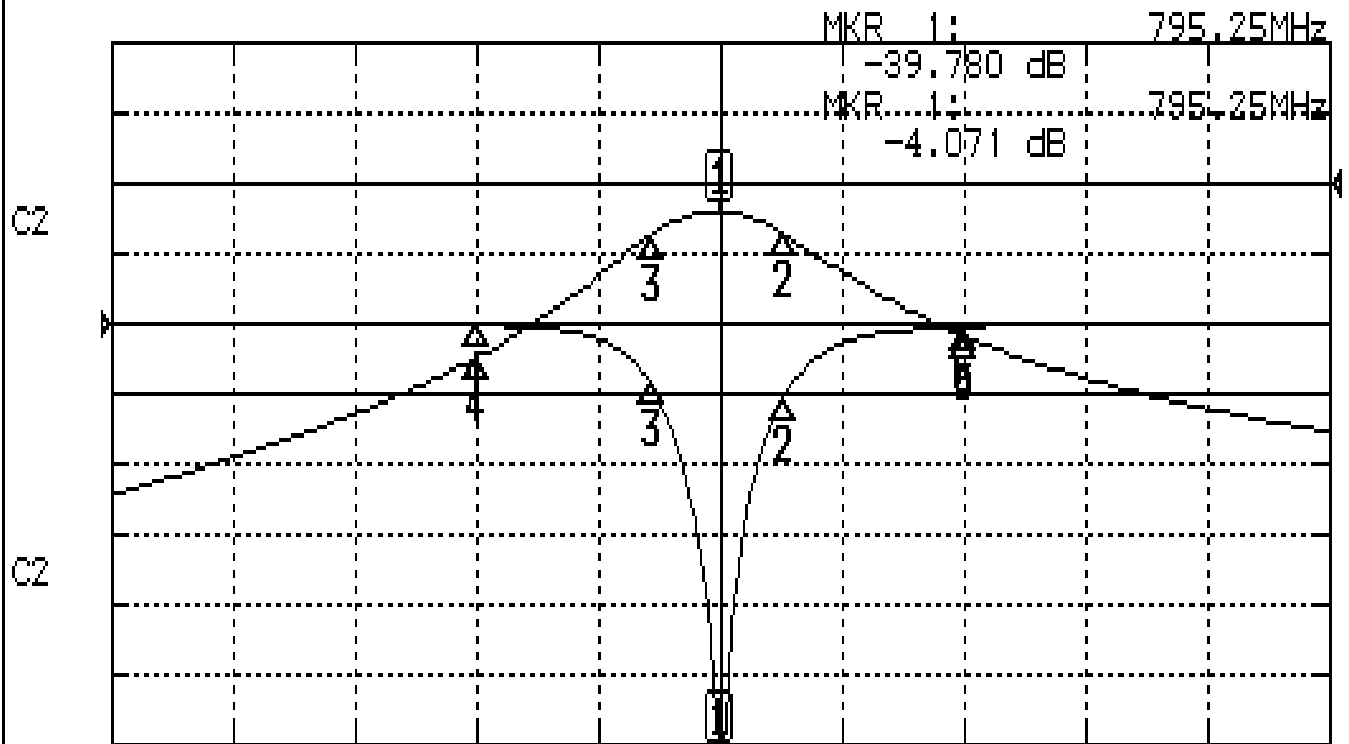
Approval	Supervisor	Designer	Aperture size
C.Y.Chang	C.S.Chang	P.H.Chiang	7H2(4*4.5)F 7H046LB4 聚 3

TEMWELL CORPORATION

Performance-TDL6272F-795.25M

0612107DC

CH1 S11 LOG MAG REF 0.000 dB 5.000 dB/
CH2 S21 LOG MAG REF 0.000 dB 10.000 dB/



CENTER 795.25MHz

[10.00 dBm]

SPAN 100MHz

CH1 MARKER LIST

1:	795.250MHz	-39.780 dB
2:	800.416MHz	-5.321 dB
3:	789.666MHz	-4.415 dB
4:	775.250MHz	-0.065 dB
5:	815.250MHz	-0.208 dB

CH2 MARKER LIST

1:	795.250MHz	-4.071 dB
2:	800.416MHz	-7.052 dB
3:	789.666MHz	-7.023 dB
4:	775.250MHz	-24.807 dB
5:	815.250MHz	-21.730 dB