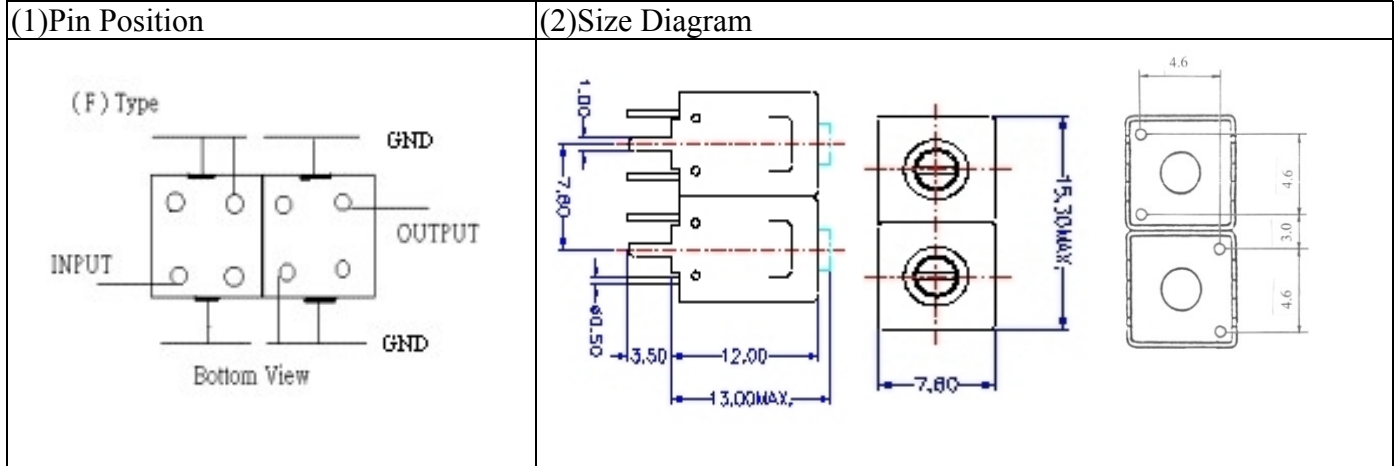


VHF UHF Helical Filter Specification Sheet

Customer Name		Temwell's Part No.	TDL6269F-777.25M
Approval No. /dated	0612104APR	Acceptable Specify Fo Range	751~800 MHZ
Work Instruction No.	0612104DC	Date	Jan.04.2007



(3) Electric Character

Item	Specify	Performance
Center Freq.(Fo) +/- 0.5 %	777.25 MHz	777.25 MHz
Tunable Range	777.25±5 MHz	777.25±5 MHz
Insertion Loss	Typ. 5.5 dB	4.42 dB
-3 dB Bandwidth	Typ. 6 MHz	9.6 MHz
Sensitivity (Attenuation)	Fo - 20 MHz	Typ. 20 dB
	Fo + 20 MHz	Typ. 16 dB
	Fo - ()MHz	Typ. dB
	Fo +()MHz	Typ. dB
Return Loss	Min. 12 dB	25.2 dB
Ripple	< 1 dB	dB
Impedance	In / Out : 75 Ω	In / Out : 75 Ω

(4) Torque for Tuning Screw > 100gf · cm

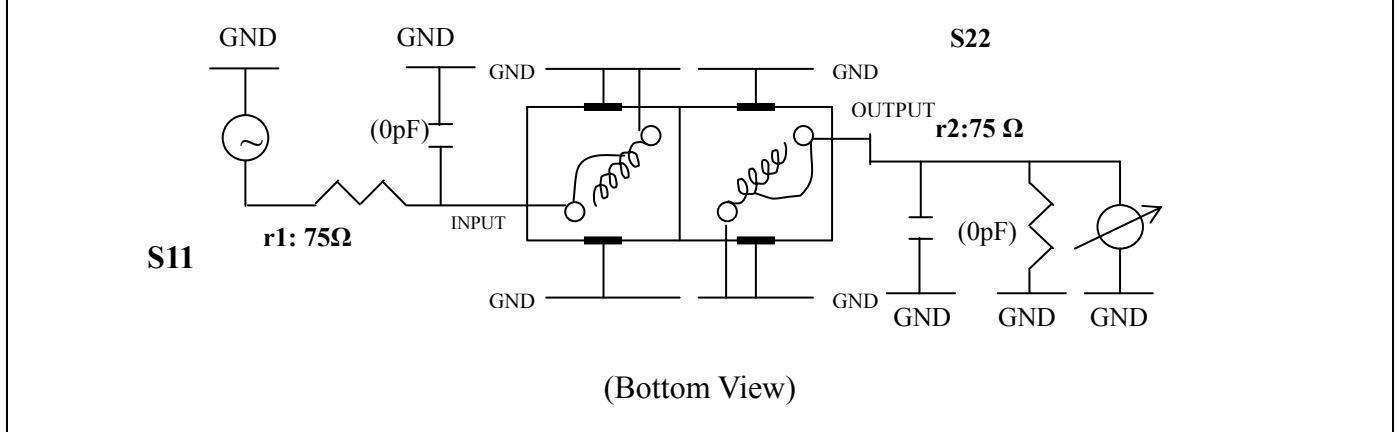
(5) Temperature Condition:

Operating Temperature	0°C ~ +60°C
-----------------------	-------------

Storage Temperature	-20°C ~ +70°C
---------------------	---------------

(6) Input Power > 1Watt

(7) Measuring Circuit: ※Easy to match Impedance 75Ω by parallel with about (0) pF.



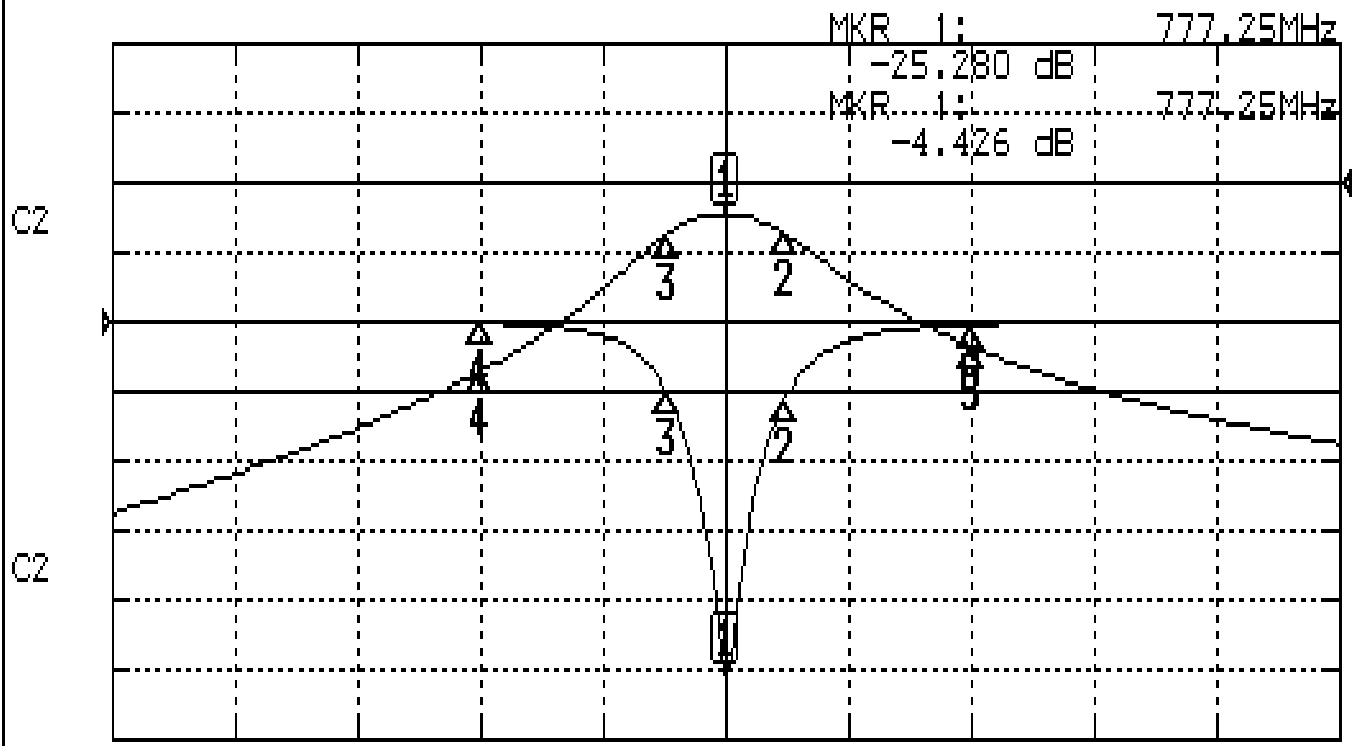
Approval	Supervisor	Designer	Aperture size
C.Y.Chang	C.S.Chang	P.H.Chiang	7H2(4*4.5)F 7H046LB4 聚 3

TEMWELL CORPORATION

Performance-TDL6269F-777.25M

0612104DC

CH1 S11 LOG MAG REF 0.000 dB 5.000 dB/
CH2 S21 LOG MAG REF 0.000 dB 10.000 dB/



CENTER 777.25MHz

[10.00 dBm]

SPAN 100MHz

CH1 MARKER LIST

1:	777.250MHz	-25.280 dB
2:	782.083MHz	-5.654 dB
3:	772.416MHz	-4.918 dB
4:	757.250MHz	-0.079 dB
5:	797.250MHz	-0.215 dB

CH2 MARKER LIST

1:	777.250MHz	-4.421 dB
2:	782.083MHz	-7.441 dB
3:	772.416MHz	-7.444 dB
4:	757.250MHz	-27.097 dB
5:	797.250MHz	-23.516 dB