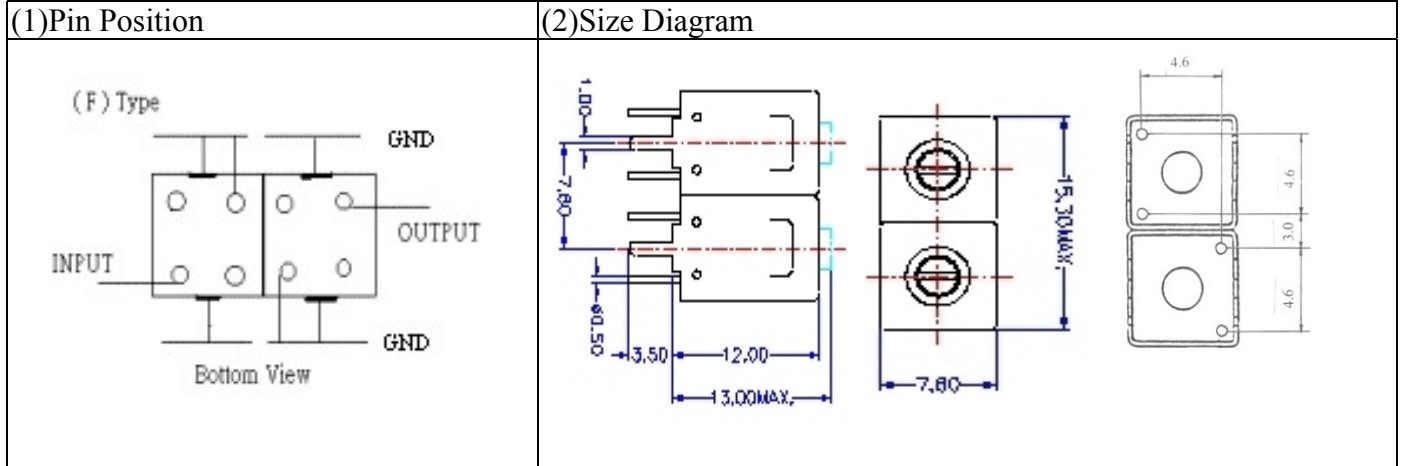


# VHF UHF Helical Filter Specification Sheet

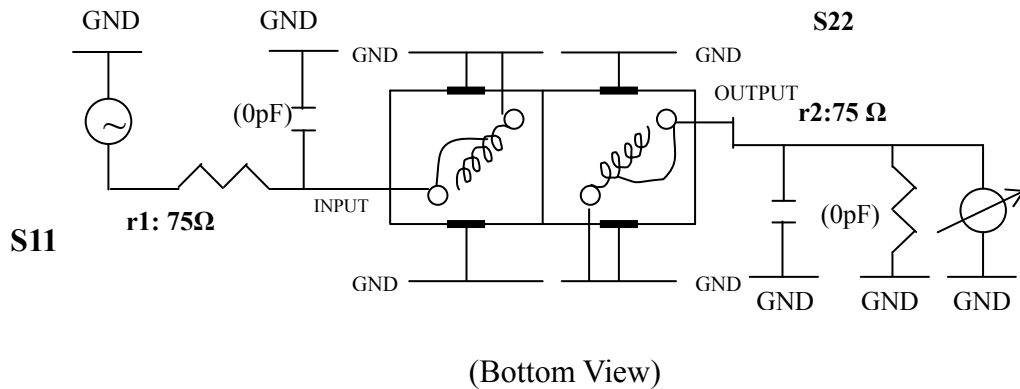
Customer Name		Temwell's Part No.	TDL6266F-759.25M
Approval No. /dated	0612101APR	Acceptable Specify Fo Range	751~800 MHZ
Work Instruction No.	0612101DC	Date	Dec.29.2006



(3) Electric Character			
Item		Specify	Performance
Center Freq.(Fo) +/- 0.5 %		759.25 MHz	759.25 MHz
Tunable Range		759.25±5 MHz	759.25±5 MHz
Insertion Loss		Typ. 4.5 dB	3.56 dB
-3 dB Bandwidth		Typ. 7 MHz	10.7 MHz
Sensitivity (Attenuation)	Fo - 20 MHz	Typ. 19 dB	22 dB
	Fo + 20 MHz	Typ. 15 dB	18 dB
	Fo - ( )MHz	Typ. dB	dB
	Fo +( )MHz	Typ. dB	dB
Return Loss		Min. 12 dB	22.2 dB
Ripple		< 1 dB	dB
Impedance		In / Out : 75 Ω	In / Out : 75 Ω
(4) Torque for Tuning Screw		> 100gf · cm	

(5) Temperature Condition:	
Operating Temperature	0°C ~ +60°C
Storage Temperature	-20°C ~ +70°C
(6) Input Power	> 1Watt

(7) Measuring Circuit: ※Easy to match Impedance 75Ω by parallel with about (0) pF.

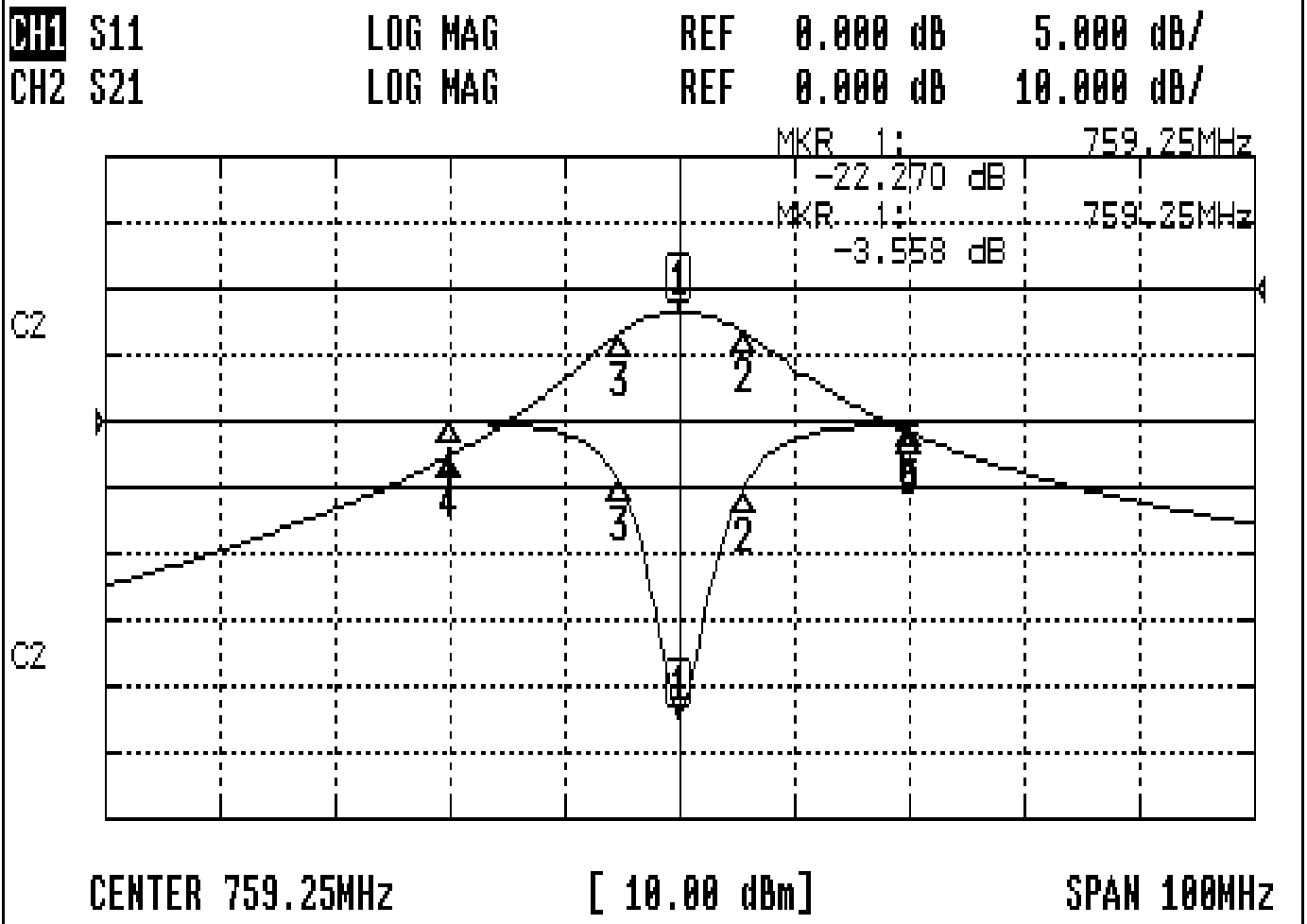


Approval	Supervisor	Designer	Aperture size
C.Y.Chang	C.S.Chang	P.H.Chiang	7H2( 4*4.5)F 7H046LB4 聚 3

TEMWELL CORPORATION

# Performance-TDL6266F-759.25M

## 0612101DC



### CH1 MARKER LIST

1	759.250MHz	-22.270	dB
2	764.750MHz	-15.217	dB
3	754.000MHz	-14.588	dB
4	739.250MHz	-0.041	dB
5	779.250MHz	-0.177	dB

### CH2 MARKER LIST

1	759.250MHz	-3.564	dB
2	764.750MHz	-6.519	dB
3	754.000MHz	-6.580	dB
4	739.250MHz	-25.253	dB
5	779.250MHz	-21.674	dB