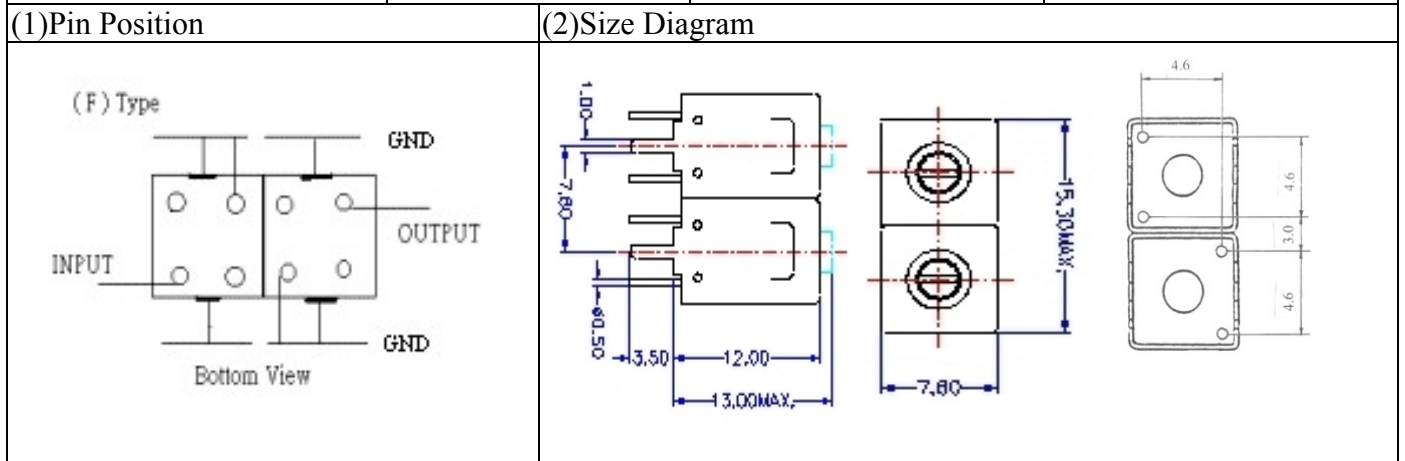


VHF UHF Helical Filter Specification Sheet

Customer Name		Temwell's Part No.	TDL6264F-747.25M
Approval No. /dated	0612099APR	Acceptable Specify Fo Range	701~750 MHz
Work Instruction No.	0612099DC	Date	Dec.29.2006



(3) Electric Character

Item	Specify	Performance
Center Freq.(Fo) +/- 0.5 %	747.25 MHz	747.25 MHz
Tunable Range	747.25±5 MHz	747.25±5 MHz
Insertion Loss	Typ. 5.0 dB	4.15 dB
-3 dB Bandwidth	Typ. 6 MHz	10.2 MHz
Sensitivity (Attenuation)	Fo - 20 MHz	Typ. 20 dB
	Fo + 20 MHz	Typ. 15 dB
	Fo - ()MHz	Typ. dB
	Fo +()MHz	Typ. dB
Return Loss	Min. 12 dB	28.5 dB
Ripple	< 1 dB	dB
Impedance	In / Out : 75 Ω	In / Out : 75 Ω

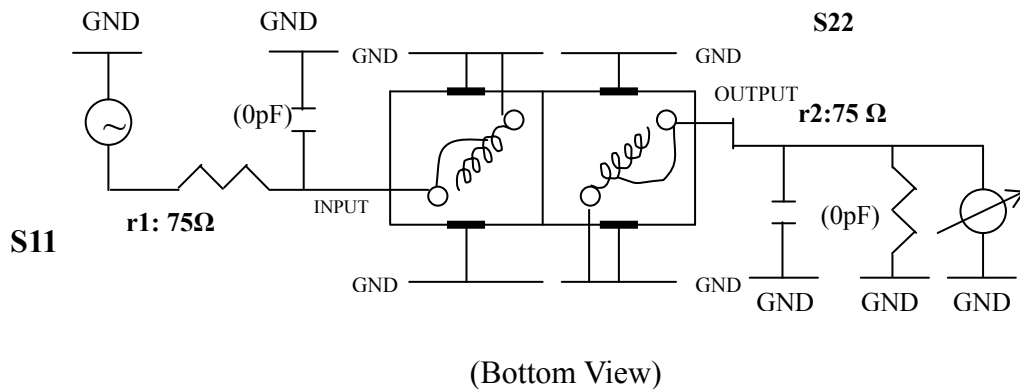
(4) Torque for Tuning Screw > 100gf · cm

(5) Temperature Condition:

Operating Temperature	0°C ~ +60°C
Storage Temperature	-20°C ~ +70°C

(6) Input Power > 1Watt

(7) Measuring Circuit: ※Easy to match Impedance 75Ω by parallel with about (0) pF.



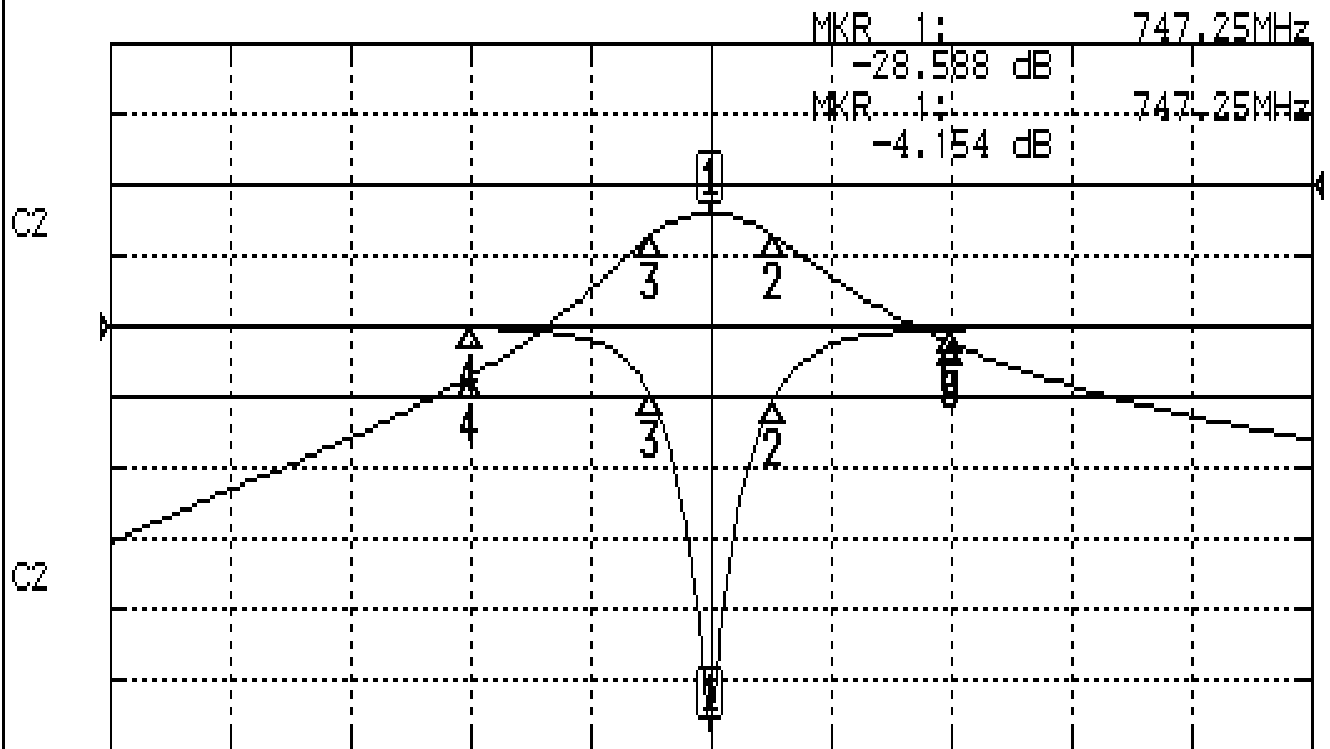
Approval	Supervisor	Designer	Aperture size
C.Y.Chang	C.S.Chang	P.H.Chiang	7H2(4*4.5)F 7H046LB4 聚 3

TEMWELL CORPORATION

Performance-TDL6264F-747.25M

0612099DC

CH1 S11 LOG MAG REF 0.000 dB 5.000 dB/
CH2 S21 LOG MAG REF 0.000 dB 10.000 dB/



CENTER 747.25MHz

[10.00 dBm]

SPAN 100MHz

CH1 MARKER LIST

1:	747.250MHz	-28.588	dB
2:	752.500MHz	-5.143	dB
3:	742.333MHz	-4.916	dB
4:	727.250MHz	-0.082	dB
5:	767.250MHz	-0.188	dB
6:			
7:			
8:			
9:			
10:			

CH2 MARKER LIST

1:	747.250MHz	-4.154	dB
2:	752.500MHz	-7.144	dB
3:	742.333MHz	-7.148	dB
4:	727.250MHz	-27.056	dB
5:	767.250MHz	-22.413	dB
6:			
7:			
8:			
9:			
10:			