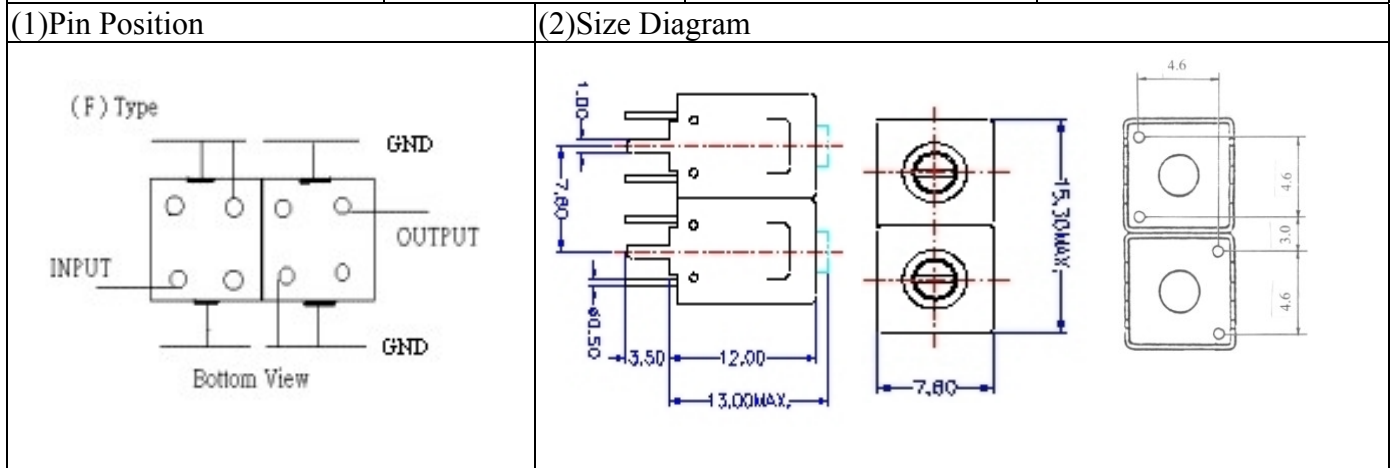


VHF UHF Helical Filter Specification Sheet

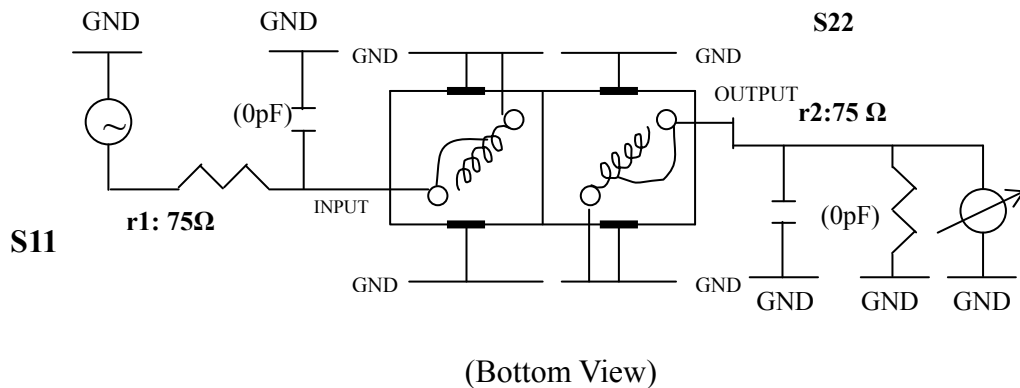
Customer Name		Temwell's Part No.	TDL6262F-735.25M
Approval No. /dated	0612097APR	Acceptable Specify Fo Range	701~750 MHz
Work Instruction No.	0612097DC	Date	Dec.29.2006



(3) Electric Character

Item	Specify	Performance
Center Freq.(Fo) +/- 0.5 %	729.25 MHz	735.25 MHz
Tunable Range	729.25±5 MHz	735.25±5 MHz
Insertion Loss	Typ. 5.0 dB	4.24 dB
-3 dB Bandwidth	Typ. 6 MHz	9.4 MHz
Sensitivity (Attenuation)	Fo - 20 MHz	Typ. 23 dB
	Fo + 20 MHz	Typ. 15 dB
	Fo - ()MHz	Typ. dB
	Fo +()MHz	Typ. dB
Return Loss	Min. 12 dB	20.6 dB
Ripple	< 1 dB	dB
Impedance	In / Out : 75 Ω	In / Out : 75 Ω
(4) Torque for Tuning Screw	> 100gf · cm	
(5) Temperature Condition:		
Operating Temperature	0°C ~ +60°C	
Storage Temperature	-20°C ~ +70°C	
(6) Input Power	> 1Watt	

(7) Measuring Circuit: ※Easy to match Impedance 75Ω by parallel with about (0) pF.

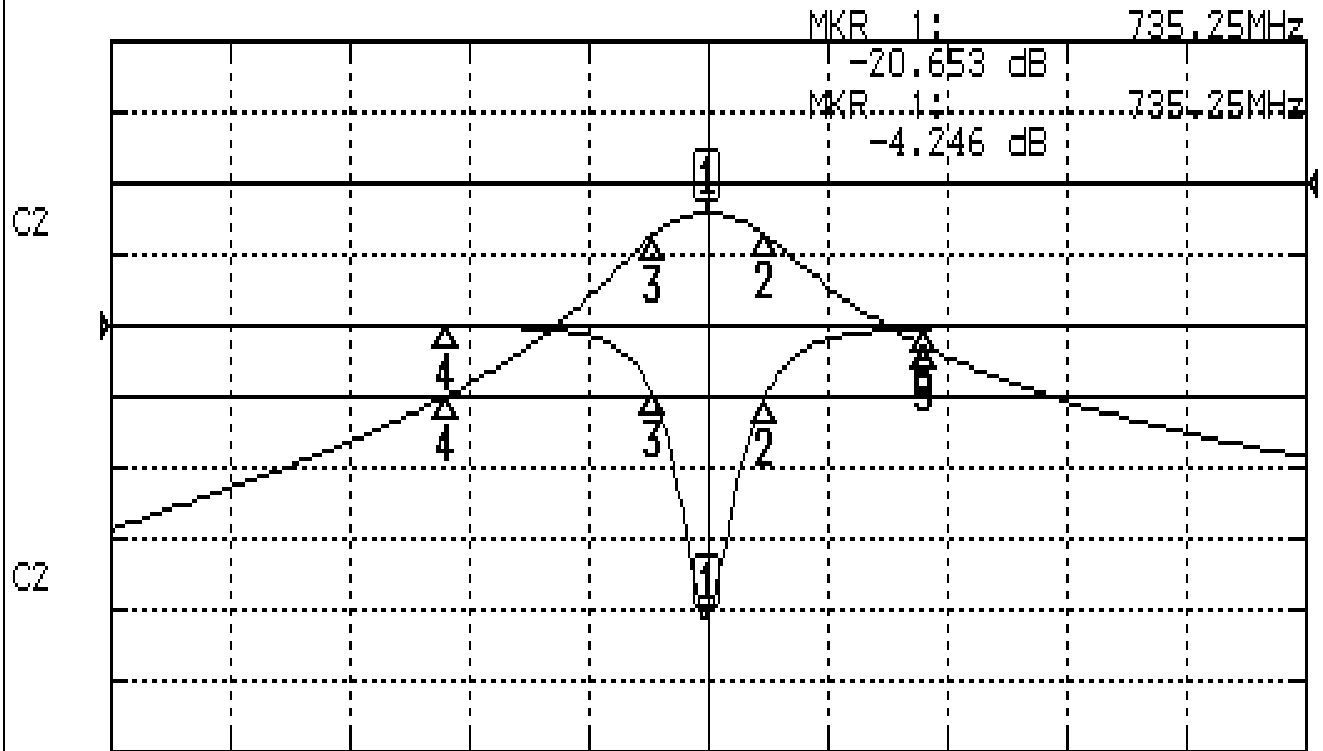


Approval	Supervisor	Designer	Aperture size
C.Y.Chang	C.S.Chang	P.H.Chiang	7H2(4*4.5)F 7H046LB4 聚 3
TEMWELL CORPORATION			

Performance-TDL6262F-735.25M

0612097DC

CH1 S11 LOG MAG REF 0.000 dB 5.000 dB/
CH2 S21 LOG MAG REF 0.000 dB 10.000 dB/



CENTER 735.25MHz

[10.00 dBm]

SPAN 100MHz

CH1 MARKER LIST

1:	735.250MHz	-20.653 dB
2:	740.000MHz	-5.204 dB
3:	730.666MHz	-4.843 dB
4:	713.250MHz	-0.017 dB
5:	753.250MHz	-0.173 dB

CH2 MARKER LIST

1:	735.250MHz	-4.246 dB
2:	740.000MHz	-7.214 dB
3:	730.666MHz	-7.290 dB
4:	713.250MHz	-30.012 dB
5:	753.250MHz	-22.840 dB