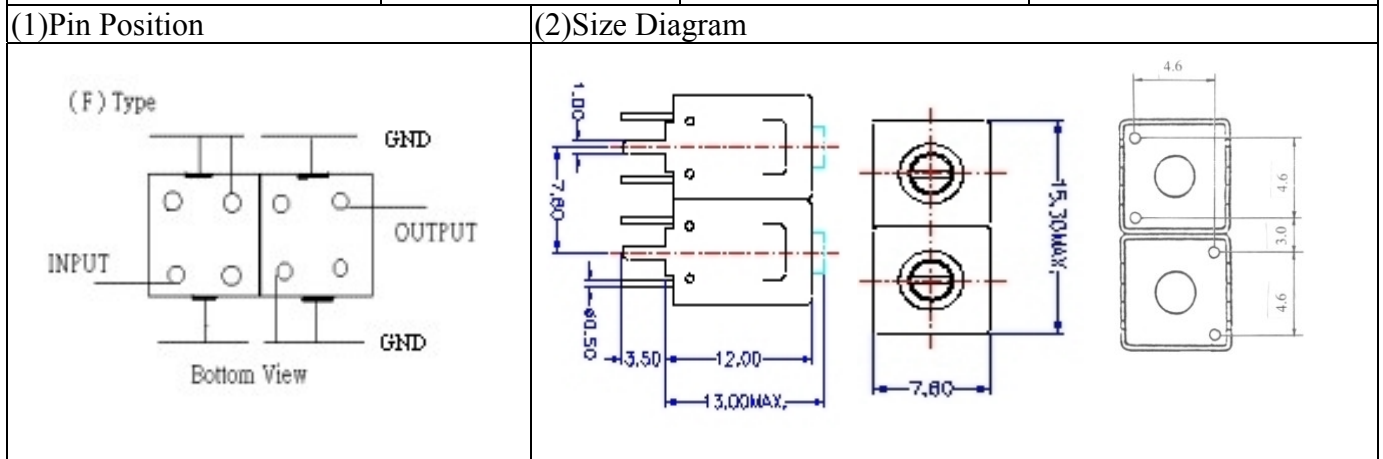


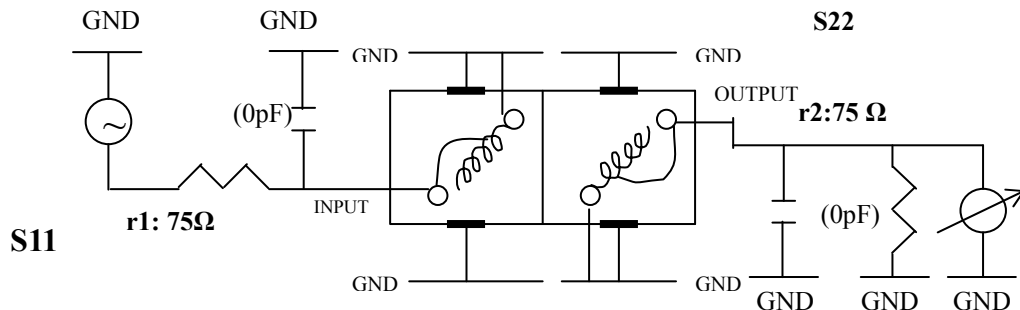
VHF UHF Helical Filter Specification Sheet

Customer Name		Temwell's Part No.	TDL6260F-723.25M
Approval No. /dated	0612095APR	Acceptable Specify Fo Range	701~750 MHz
Work Instruction No.	0612095DC	Date	Dec.29.2006



(3) Electric Character			
Item		Specify	Performance
Center Freq.(Fo) +/- 0.5 %		723.25 MHz	723.25 MHz
Tunable Range		723.25±5 MHz	723.25±5 MHz
Insertion Loss		Typ. 5.5 dB	4.46 dB
-3 dB Bandwidth		Typ. 6 MHz	9.0 MHz
Sensitivity (Attenuation)	Fo - 20 MHz	Typ. 22 dB	25 dB
	Fo + 20 MHz	Typ. 17 dB	20 dB
	Fo - ()MHz	Typ. dB	dB
	Fo + ()MHz	Typ. dB	dB
Return Loss		Min. 12 dB	23.4 dB
Ripple		< 1 dB	dB
Impedance		In / Out : 75 Ω	In / Out : 75 Ω
(4) Torque for Tuning Screw		> 100gf • cm	
(5) Temperature Condition:			
Operating Temperature		0°C ~ +60°C	
Storage Temperature		-20°C ~ +70°C	
(6) Input Power		> 1 Watt	

(7) Measuring Circuit: ※Easy to match Impedance 75Ω by parallel with about (0) pF.



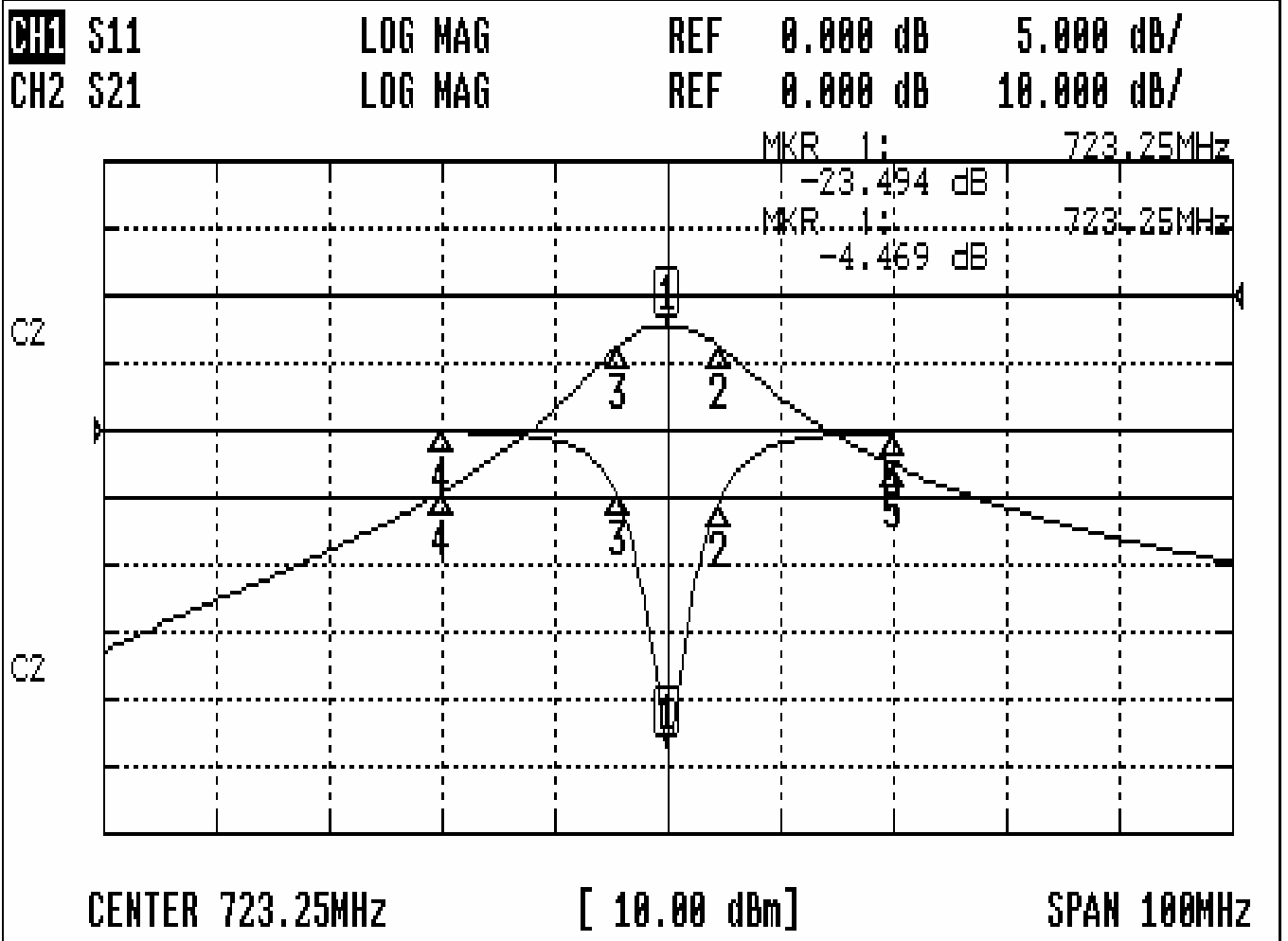
(Bottom View)

Approval	Supervisor	Designer	Aperture size
C.Y.Chang	C.S.Chang	P.H.Chiang	7H2(4*4.5)F 7H046RB4

TEMWELL CORPORATION

Performance-TDL6260F-723.25M

0612095DC



CH1 MARKER LIST

1:	723.250MHz	-23.494 dB
2:	727.833MHz	-5.324 dB
3:	718.833MHz	-4.927 dB
4:	703.250MHz	-0.089 dB
5:	743.250MHz	-0.158 dB

CH2 MARKER LIST

1:	723.250MHz	-4.469 dB
2:	727.833MHz	-7.474 dB
3:	718.833MHz	-7.512 dB
4:	703.250MHz	-29.267 dB
5:	743.250MHz	-25.183 dB