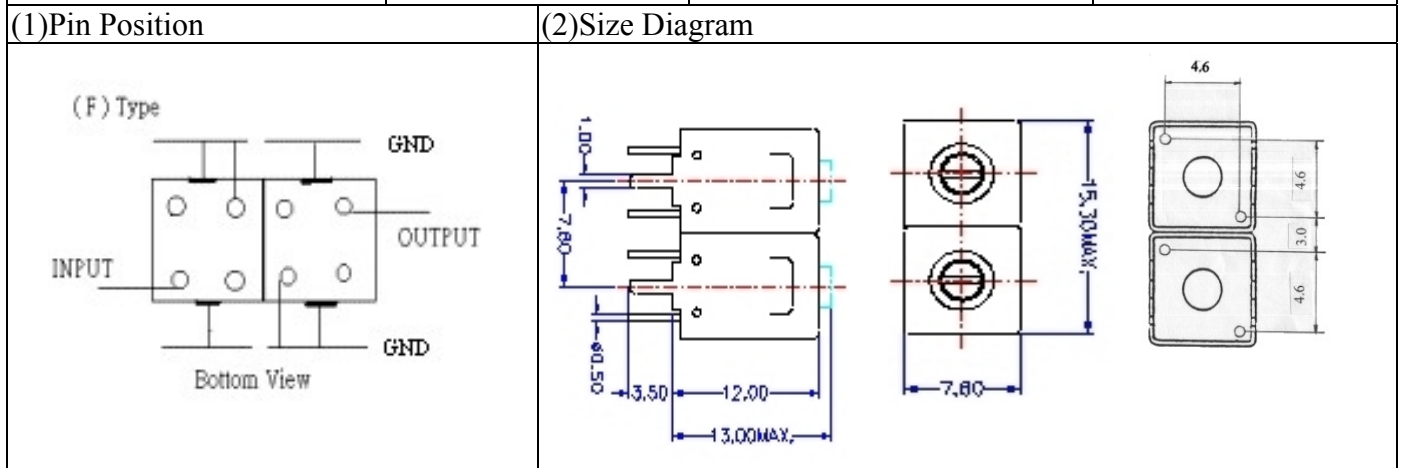


VHF UHF Helical Filter Specification Sheet

Customer Name		Temwell's Part No.	TDL6254F-687.25M
Approval No. /dated	0612089APR	Acceptable Specify Fo Range	661~700MHZ
Work Instruction No.	0612089DC	Date	Jan.04.2007



(3) Electric Character

Item	Specify	Performance
Center Freq.(Fo) +/- 0.5 %	687.25 MHz	687.25 MHz
Tunable Range	687.25±5 MHz	687.25±5 MHz
Insertion Loss	Typ. 6.5 dB	5.65 dB
-3 dB Bandwidth	Typ. 5 MHz	8.9 MHz
Sensitivity (Attenuation)	Fo - 30 MHz	Typ. 26 dB
	Fo + 30 MHz	Typ. 21 dB
	Fo - ()MHz	Typ. dB
	Fo +()MHz	Typ. dB
Return Loss	Min. 12 dB	16.0 dB
Ripple	< 1 dB	dB
Impedance	In / Out : 75 Ω	In / Out : 75 Ω

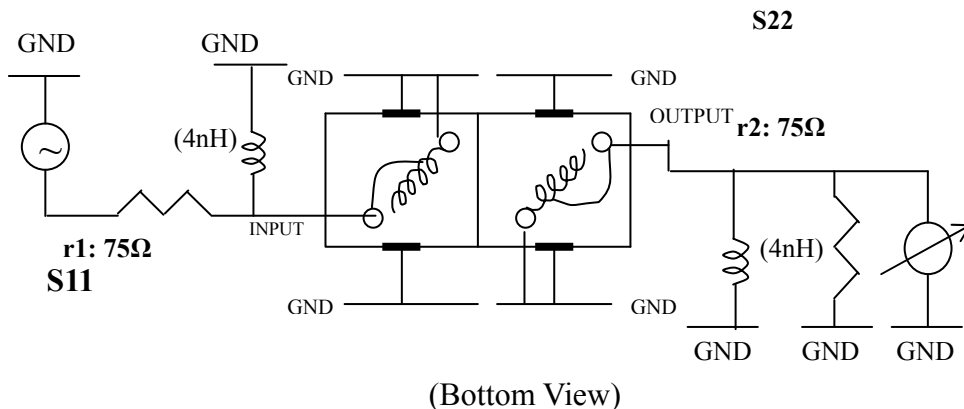
(4) Torque for Tuning Screw > 100gf · cm

(5) Temperature Condition:

Operating Temperature	0°C ~ +60°C
Storage Temperature	-20°C ~ +70°C

(6) Input Power > 1Watt

(7) Measuring Circuit: ※Easy to match Impedance 75Ω by parallel with about (4nH).



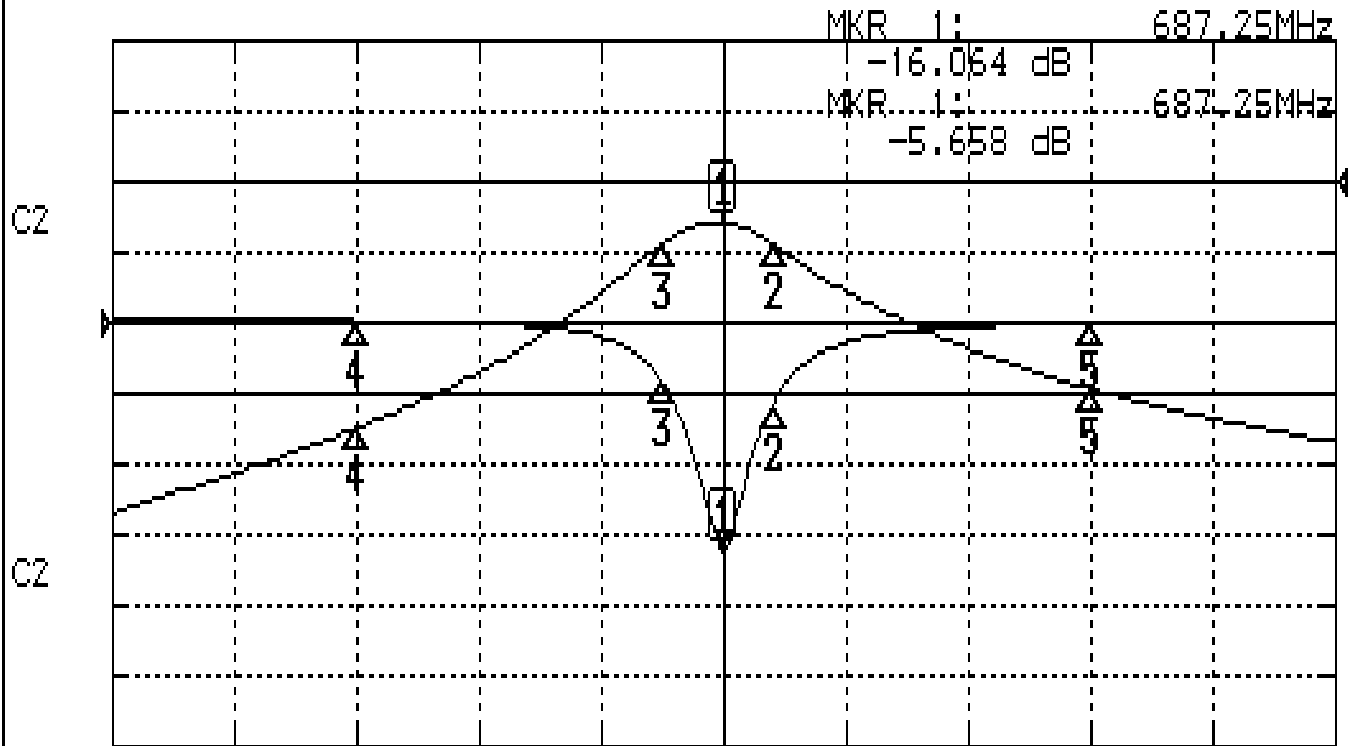
Approval	Supervisor	Designer	Aperture size
C.Y.Chang	C.S.Chang	J.F.Lin	7H2S(4*4.4.65)F 7H046LB4 聚 3

TEMWELL CORPORATION

Performance-TDL6254F-687.25M

0612089DC

CH1 S11 LOG MAG REF 0.000 dB 5.000 dB/
CH2 S21 LOG MAG REF 0.000 dB 10.000 dB/



CENTER 687.25MHz

[10.00 dBm]

SPAN 100MHz

CH1 MARKER LIST

1	687.250MHz	-16.064	dB
2	691.250MHz	-5.803	dB
3	682.333MHz	-4.235	dB
4	657.250MHz	0.144	dB
5	717.250MHz	-0.003	dB

CH2 MARKER LIST

1	687.250MHz	-5.658	dB
2	691.250MHz	0.000	dB
3	682.333MHz	0.000	dB
4	657.250MHz	0.000	dB
5	717.250MHz	29.329	dB