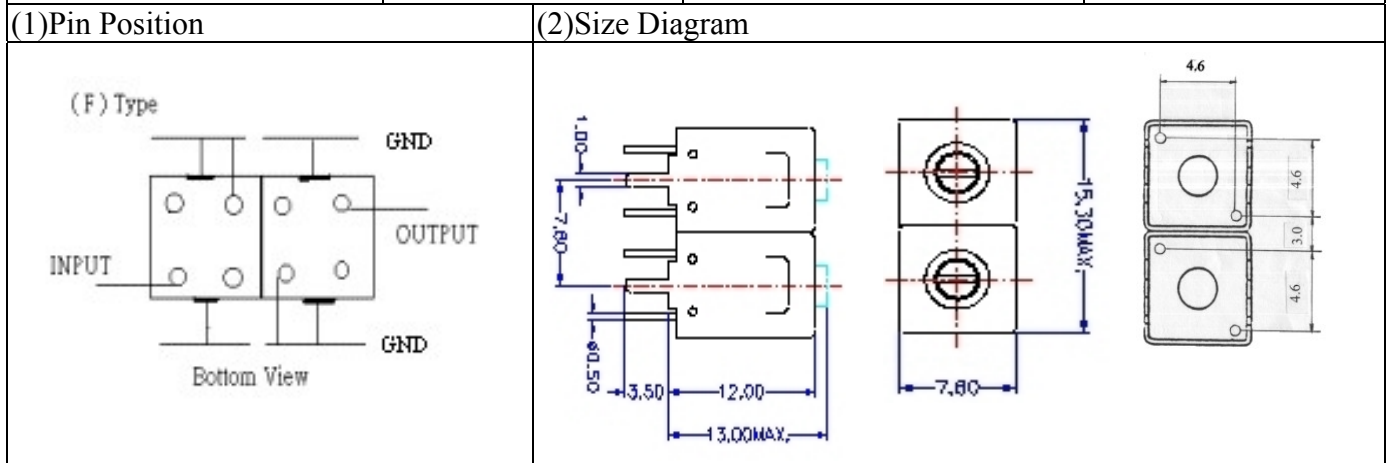


# VHF UHF Helical Filter Specification Sheet

Customer Name		Temwell's Part No.	TDL6253F-681.25M
Approval No. /dated	0612088APR	Acceptable Specify Fo Range	661~700MHZ
Work Instruction No.	0612088DC	Date	Jan.04.2007



### (3) Electric Character

Item	Specify	Performance	
Center Freq.(Fo ) +/- 0.5 %	681.25 MHz	681.25 MHz	
Tunable Range	681.25±5 MHz	681.25±5 MHz	
Insertion Loss	Typ. 6.0 dB	4.99 dB	
-3 dB Bandwidth	Typ. 6 MHz	9.2 MHz	
Sensitivity (Attenuation)	Fo - 30 MHz	Typ. 26 dB	29 dB
	Fo + 30 MHz	Typ. 21 dB	24 dB
	Fo - ( )MHz	Typ. dB	dB
	Fo +( )MHz	Typ. dB	dB
Return Loss	Min. 12 dB	17.0 dB	
Ripple	< 1 dB	dB	
Impedance	In / Out : 75 Ω	In / Out : 75 Ω	

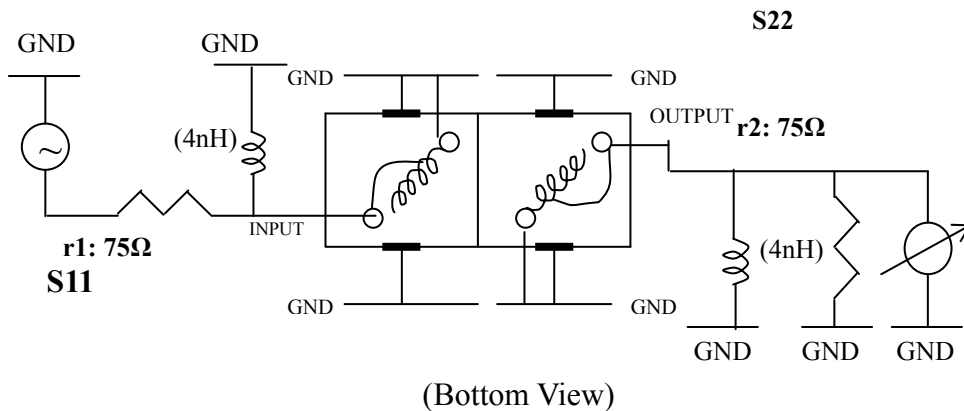
(4) Torque for Tuning Screw > 100gf · cm

### (5) Temperature Condition:

Operating Temperature	0°C ~ +60°C
Storage Temperature	-20°C ~ +70°C

(6) Input Power > 1Watt

(7) Measuring Circuit: ※Easy to match Impedance 75Ω by parallel with about ( 4pF)/(4pF).



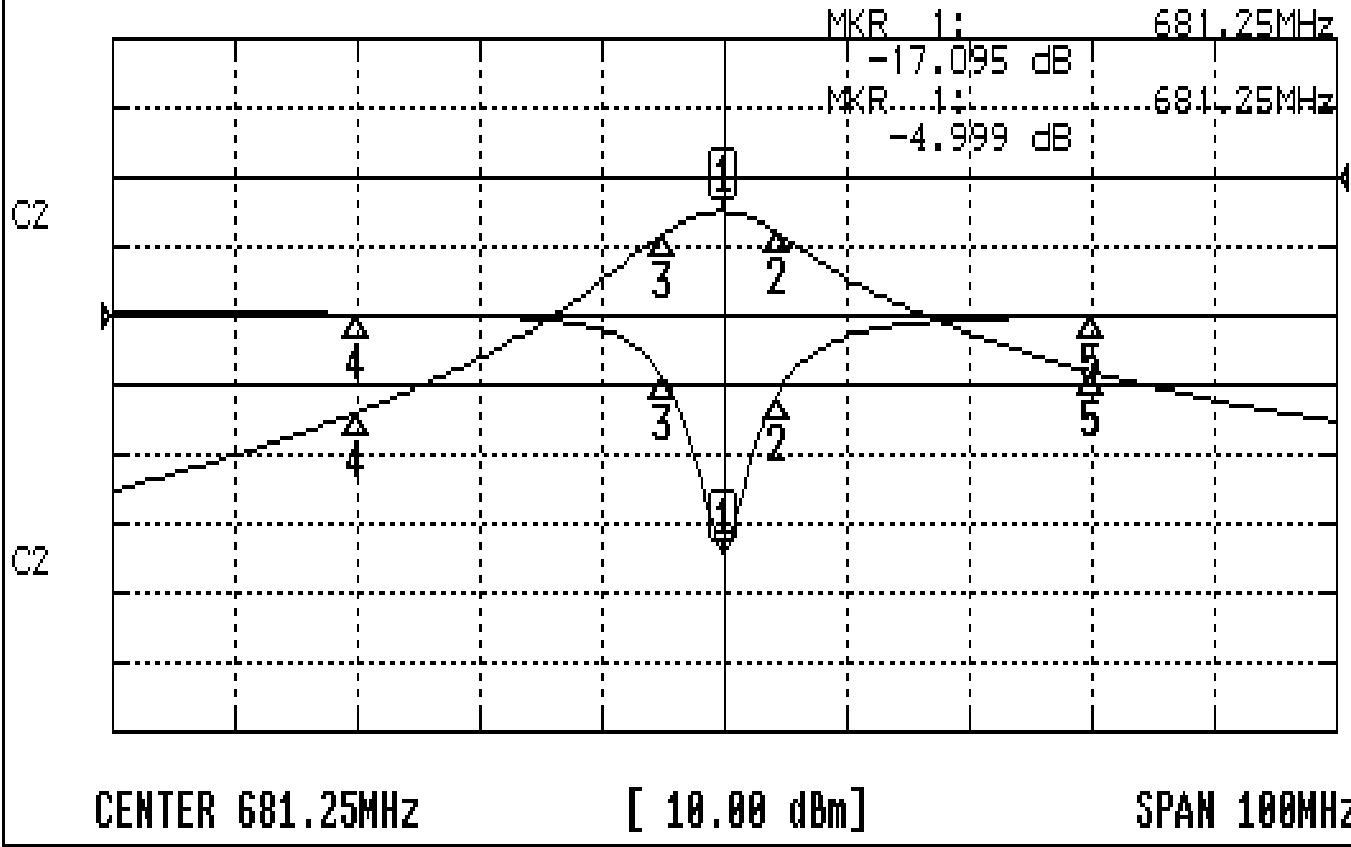
Approval	Supervisor	Designer	Aperture size
C.Y.Chang	C.S.Chang	J.F.Lin	7H2S(4*4.5)F 7H046LB4 聚 3

TEMWELL CORPORATION

# Performance-TDL6253F-681.25M

## 0612088DC

**CH1** S11                      LOG MAG                      REF    0.000 dB            5.000 dB/  
**CH2** S21                      LOG MAG                      REF    0.000 dB            10.000 dB/



### CH1 MARKER LIST

1	681.2500MHz	-17.095	dB
2	685.0000MHz	-5.720	dB
3	676.3333MHz	-4.466	dB
4	651.2500MHz	-0.140	dB
5	711.2500MHz	-0.015	dB

### CH2 MARKER LIST

1	681.2500MHz	-4.999	dB
2	685.0000MHz	-0.222	dB
3	676.3333MHz	-0.099	dB
4	651.2500MHz	-0.000	dB
5	711.2500MHz	-0.000	dB