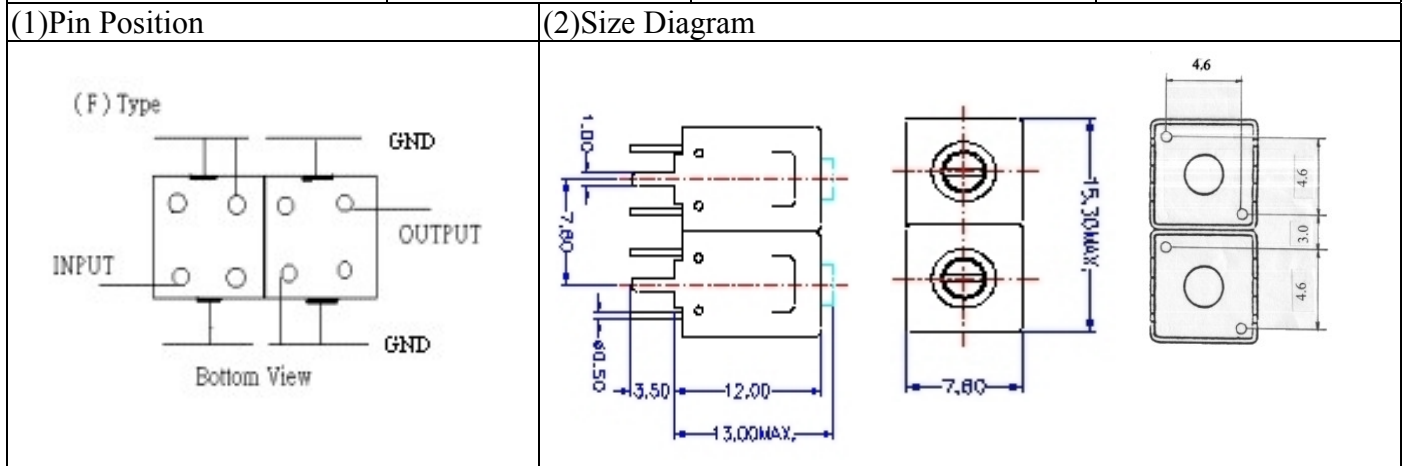


VHF UHF Helical Filter Specification Sheet

Customer Name		Temwell's Part No.	TDL6249F-657.25M
Approval No. /dated	0612084APR	Acceptable Specify Fo Range	641~660 MHz
Work Instruction No.	0612084DC	Date	Jan.04.2007



(3) Electric Character

Item	Specify	Performance
Center Freq.(Fo) +/- 0.5 %	657.25 MHz	657.25 MHz
Tunable Range	657.25±5 MHz	657.25±5 MHz
Insertion Loss	Typ. 5.0 dB	4.25 dB
-3 dB Bandwidth	Typ. 6 MHz	9.1 MHz
Sensitivity (Attenuation)	Fo - 30 MHz	Typ. 27 dB
	Fo + 30 MHz	Typ. 21 dB
	Fo - ()MHz	Typ. dB
	Fo +()MHz	Typ. dB
Return Loss	Min. 12 dB	19.0 dB
Ripple	< 1 dB	dB
Impedance	In / Out : 75 Ω	In / Out : 75 Ω

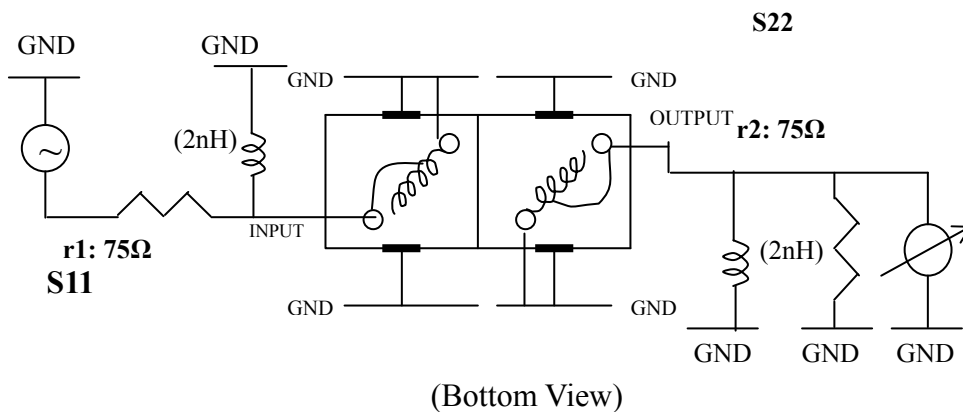
(4) Torque for Tuning Screw > 100gf · cm

(5) Temperature Condition:

Operating Temperature	0°C ~ +60°C
Storage Temperature	-20°C ~ +70°C

(6) Input Power > 1Watt

(7) Measuring Circuit: ※Easy to match Impedance 75Ω by parallel with about (2nH)/(2nH)



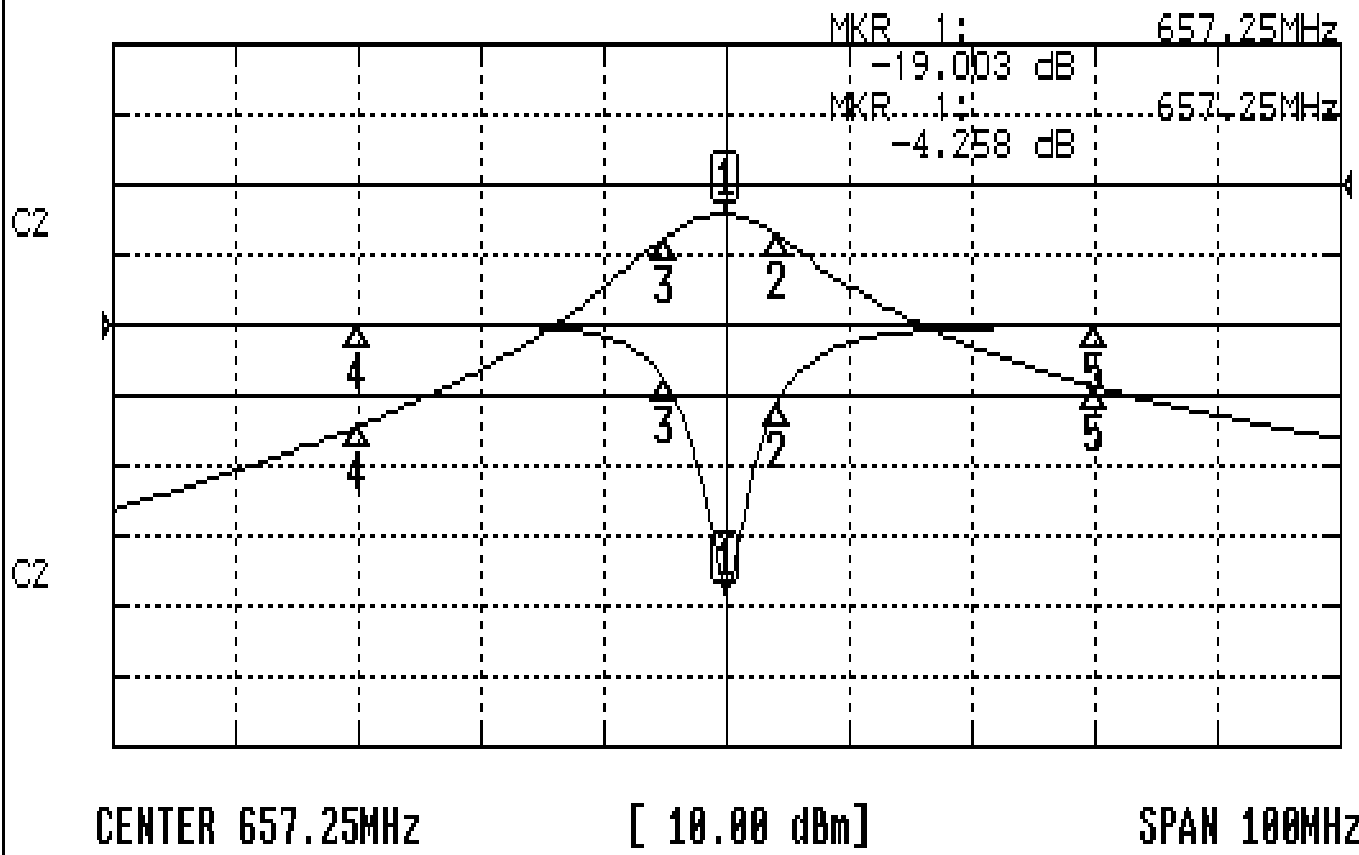
Approval	Supervisor	Designer	Aperture size
C.Y.Chang	C.S.Chang	J.F.Lin	7H2(4*4.65)F 7H046LB4 聚 3

TEMWELL CORPORATION

Performance-TDL6249F-657.25M

0612084DC

CH1 S11 LOG MAG REF 0.000 dB 5.000 dB/
CH2 S21 LOG MAG REF 0.000 dB 10.000 dB/



CH1 MARKER LIST

1	657.250MHz	-19.003 dB
2	661.416MHz	-5.694 dB
3	652.333MHz	-4.035 dB
4	627.250MHz	-0.105 dB
5	687.250MHz	-0.012 dB

CH2 MARKER LIST

1	657.250MHz	-4.258 dB
2	661.416MHz	-7.240 dB
3	652.333MHz	-7.301 dB
4	627.250MHz	-34.374 dB
5	687.250MHz	-28.758 dB