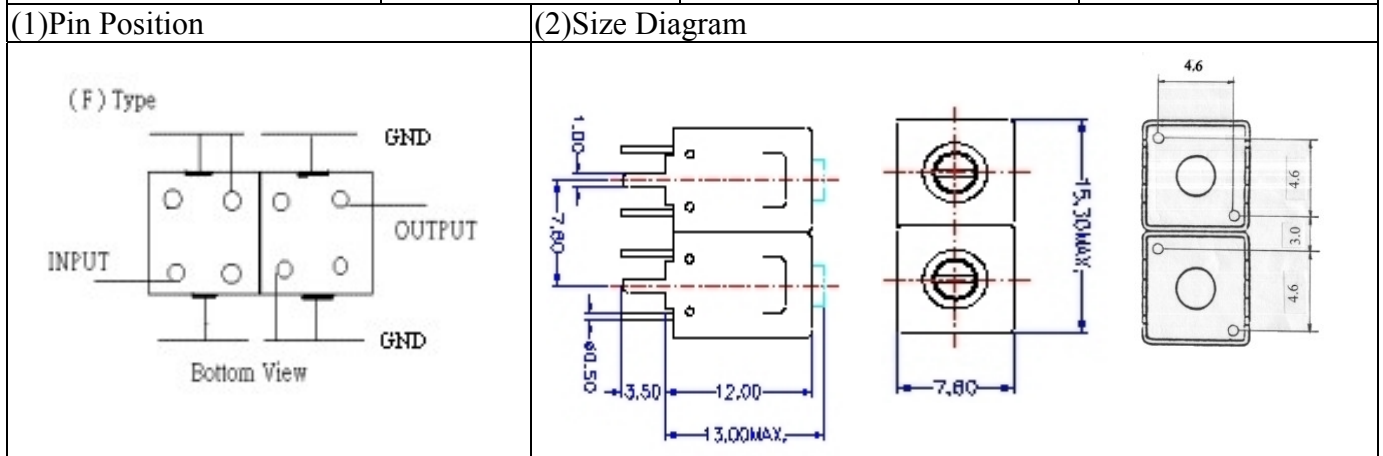
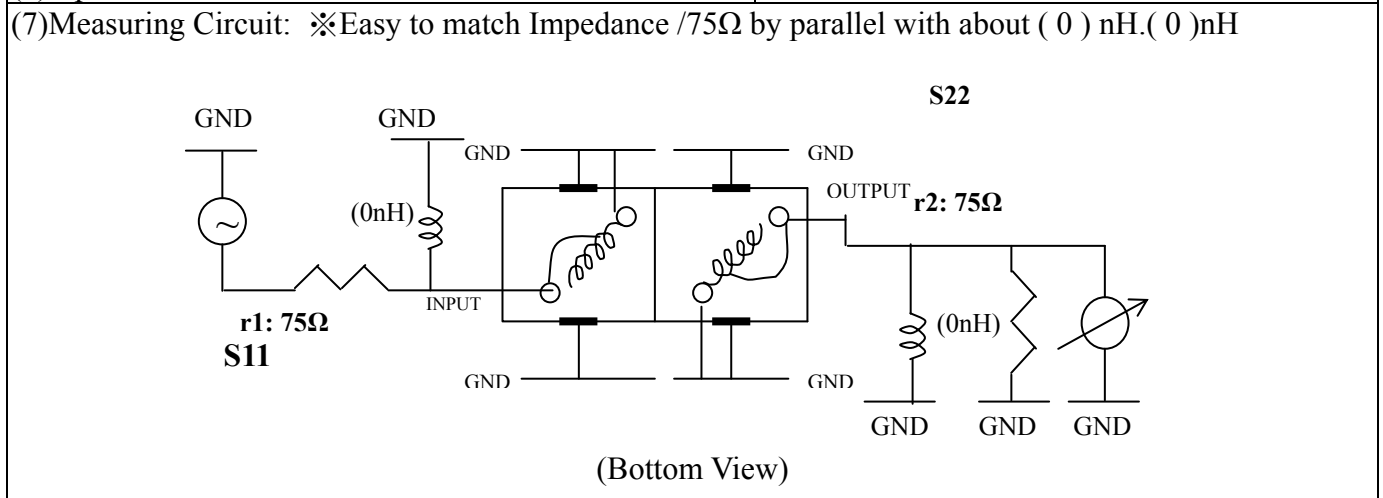


VHF UHF Helical Filter Specification Sheet

Customer Name		Temwell's Part No.	TDL6245F-633.25M
Approval No. /dated	0612080APR	Acceptable Specify Fo Range	596~640 MHz
Work Instruction No.	0612080DC	Date	Jan.03.2007



(3) Electric Character			
Item	Specify	Performance	
Center Freq.(Fo) +/- 0.5 %	633.25 MHz	633.25 MHz	
Tunable Range	633.25±5 MHz	633.25±5 MHz	
Insertion Loss	Typ. 5.0 dB	4.15 dB	
-3 dB Bandwidth	Typ. 6 MHz	9.0 MHz	
Sensitivity (Attenuation)	Fo - 30 MHz	Typ. 28 dB	31 dB
	Fo + 30 MHz	Typ. 23 dB	26 dB
	Fo - ()MHz	Typ. dB	dB
	Fo + ()MHz	Typ. dB	dB
Return Loss	Min. 12 dB	25.7 dB	
Ripple	< 1 dB	dB	
Impedance	In / Out : 75 Ω	In / Out : 75 Ω	
(4) Torque for Tuning Screw			
		> 100gf · cm	
(5) Temperature Condition:			
Operating Temperature	0°C ~ +60°C		
Storage Temperature	-20°C ~ +70°C		
(6) Input Power			
		> 1 Watt	

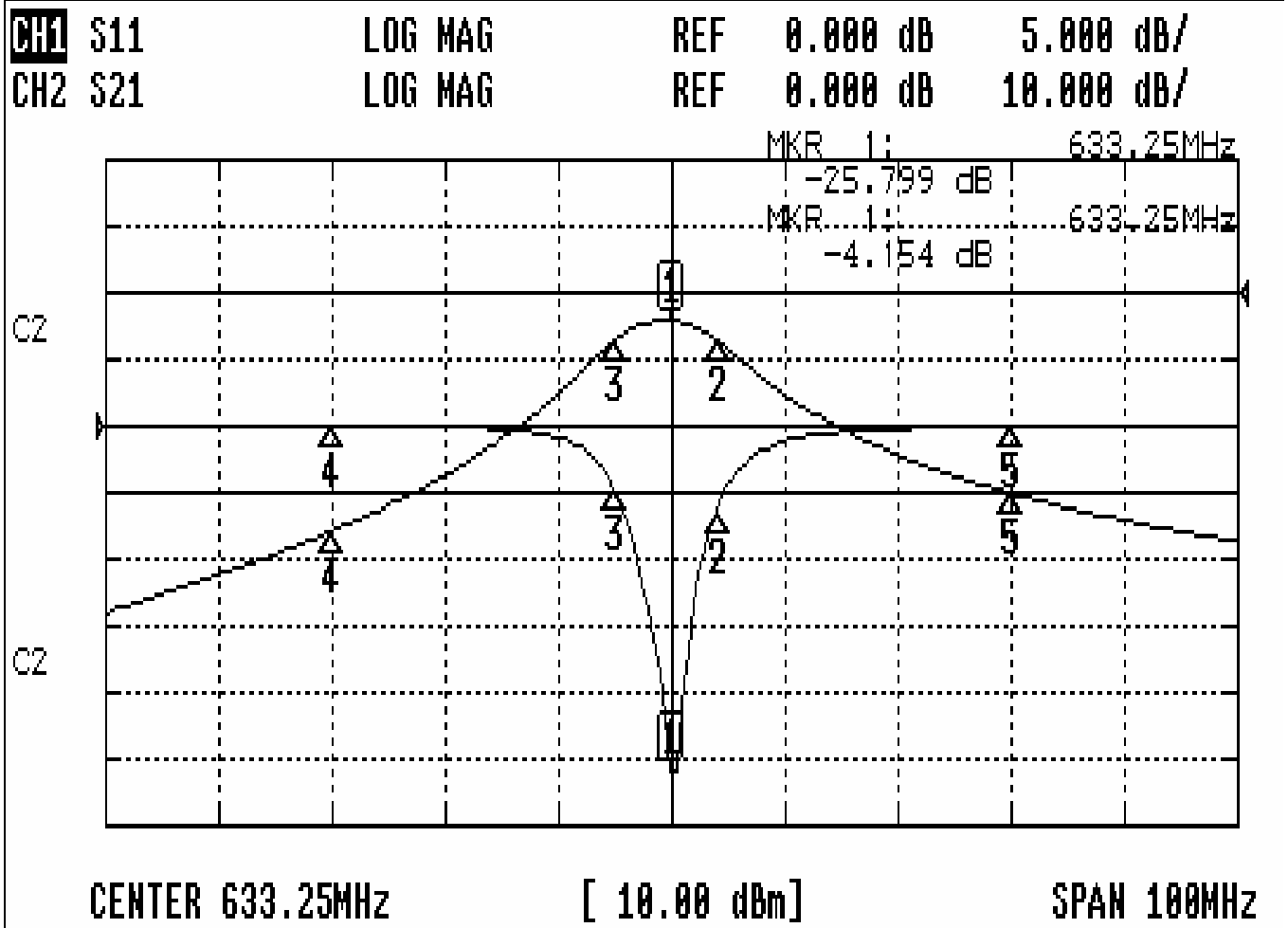


Approval	Supervisor	Designer	Aperture size
C.Y.Chang	C.S.Chang	J.F.Ling	7H2(4*4.5)F 7H046LB4 聚 3

TEMWELL CORPORATION

Performance-TDL6245F-633.25M

0612080DC



CH1 MARKER LIST

1	633.250MHz	-25.798 dB
2	637.250MHz	-6.354 dB
3	628.250MHz	-4.703 dB
4	603.250MHz	-0.078 dB
5	663.250MHz	-0.016 dB

CH2 MARKER LIST

1	633.250MHz	-4.161 dB
2	637.250MHz	-7.114 dB
3	628.250MHz	-7.143 dB
4	603.250MHz	-35.711 dB
5	663.250MHz	-30.079 dB