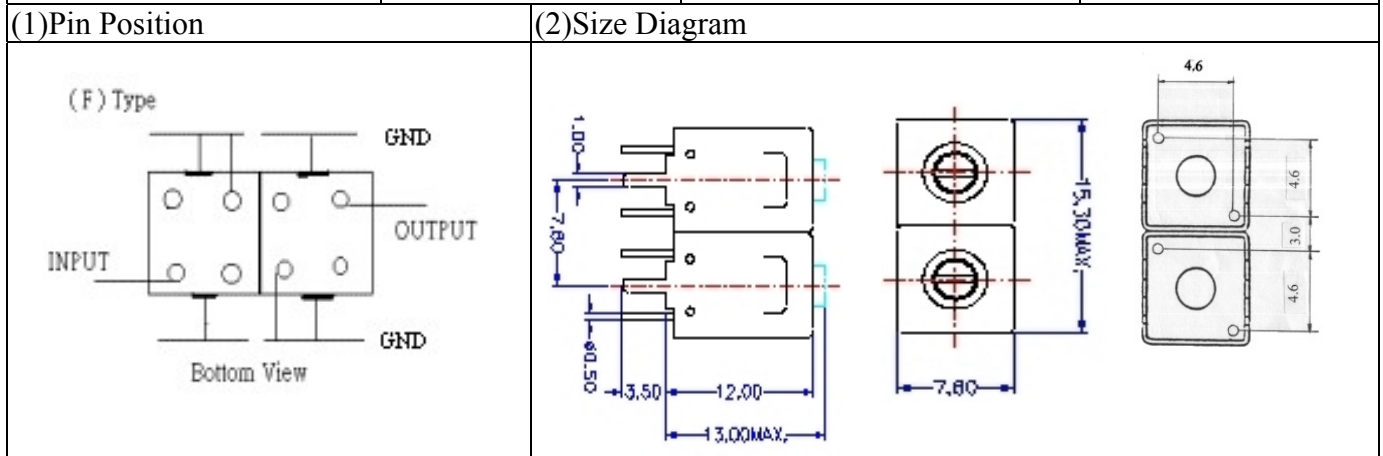


VHF UHF Helical Filter Specification Sheet

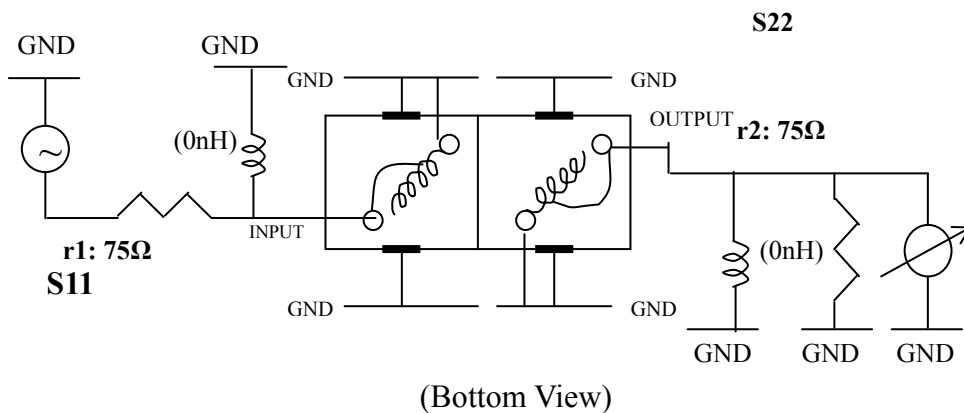
Customer Name		Temwell's Part No.	TDL6242F-615.25M
Approval No. /dated	0612077APR	Acceptable Specify Fo Range	596~640MHZ
Work Instruction No.	0612077DC	Date	Jan.03.2007



(3) Electric Character			
Item		Specify	Performance
Center Freq.(Fo) +/- 0.5 %		615.25 MHz	615.25 MHz
Tunable Range		615.25±5 MHz	615.25±5 MHz
Insertion Loss		Typ. 5.5 dB	4.46 dB
-3 dB Bandwidth		Typ. 7 MHz	9.4 MHz
Sensitivity (Attenuation)	Fo - 40 MHz	Typ. 33 dB	36 dB
	Fo + 40 MHz	Typ. 26 dB	29 dB
	Fo - ()MHz	Typ. dB	dB
	Fo +()MHz	Typ. dB	dB
Return Loss		Min. 12 dB	41.2 dB
Ripple		< 1 dB	dB
Impedance		In / Out : 75 Ω	In / Out : 75 Ω
(4) Torque for Tuning Screw		> 100gf · cm	

(5) Temperature Condition:	
Operating Temperature	0°C ~ +60°C
Storage Temperature	-20°C ~ +70°C
(6) Input Power	> 1 Watt

(7) Measuring Circuit: ※Easy to match Impedance 75Ω by parallel with about (0) nH.

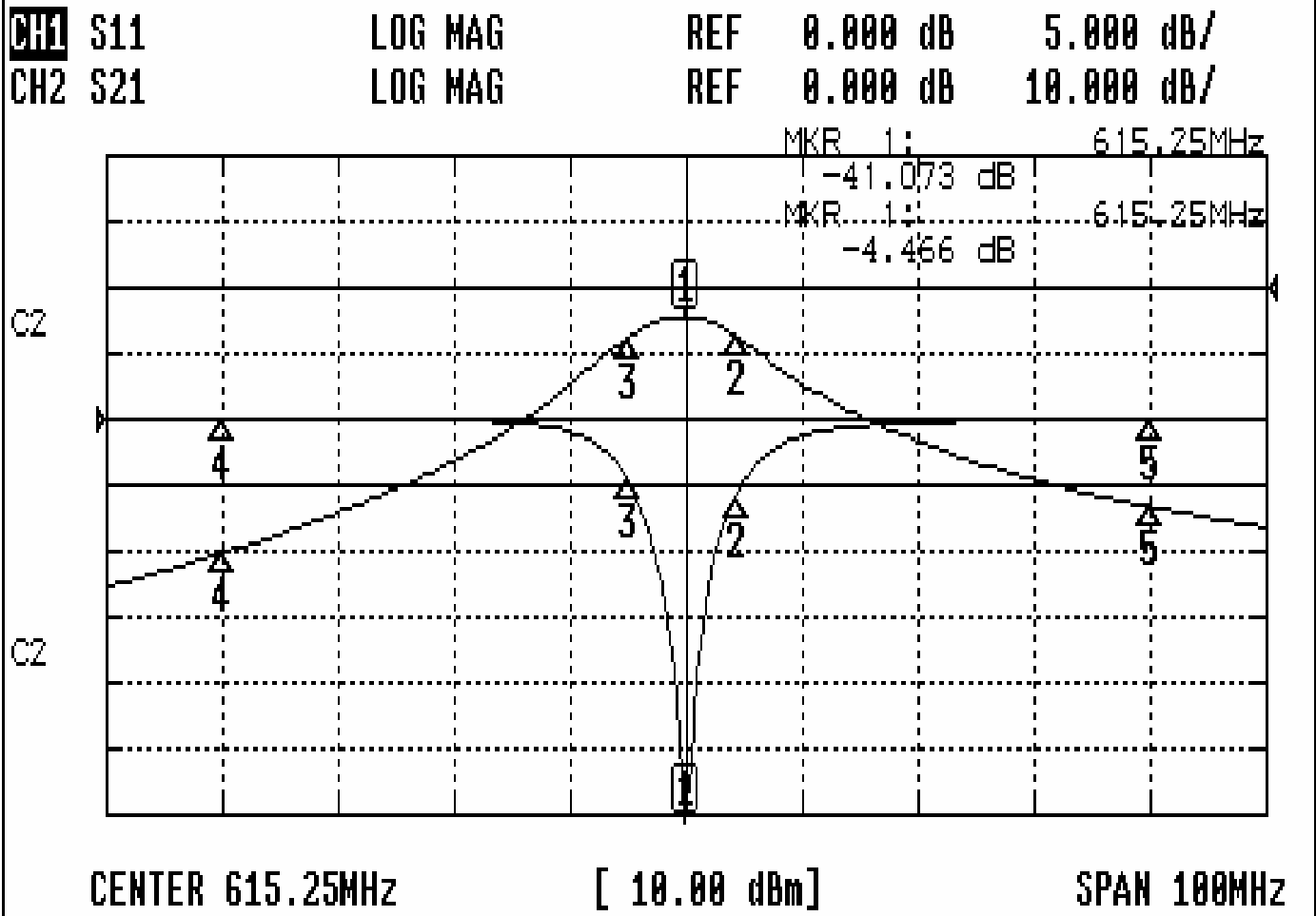


Approval	Supervisor	Designer	Aperture size
C.Y.Chang	C.S.Chang	J.F.Lin	7H2(4*4.65)F 7H046LB4 聚 3

TEMWELL CORPORATION

Performance-TDL6242F-615.25M

061277DC



CH1 MARKER LIST

1	615.250MHz	-41.237	dB	
2	619.666MHz	-5.615	dB	
3	610.250MHz	-4.500	dB	
4	575.250MHz	0.088	dB	
5	655.250MHz	0.028	dB	

CH2 MARKER LIST

1	615.250MHz	-4.466	dB	
2	619.666MHz	-7.513	dB	
3	610.250MHz	-7.425	dB	
4	575.250MHz	-40.229	dB	
5	655.250MHz	-33.228	dB	