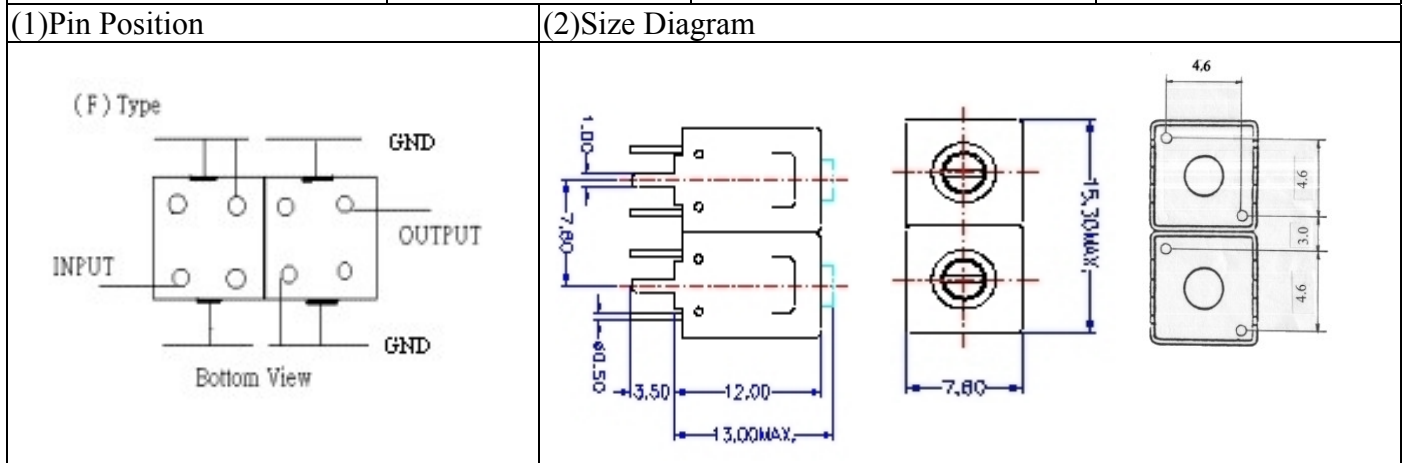


VHF UHF Helical Filter Specification Sheet

Customer Name		Temwell's Part No.	TDL6241F-609.25M
Approval No. /dated	0612076APR	Acceptable Specify Fo Range	596~640 MHz
Work Instruction No.	0612076DC	Date	Jan.03.2007



(3) Electric Character

Item	Specify	Performance
Center Freq.(Fo) +/- 0.5 %	609.25 MHz	609.25 MHz
Tunable Range	609.25±5 MHz	609.25±5 MHz
Insertion Loss	Typ. 5.0 dB	4.09 dB
-3 dB Bandwidth	Typ. 7 MHz	9 MHz
Sensitivity (Attenuation)	Fo - 40 MHz	Typ. 34 dB
	Fo + 40 MHz	Typ. 26 dB
	Fo - ()MHz	Typ. dB
	Fo +()MHz	Typ. dB
Return Loss	Min. 12 dB	29.9 dB
Ripple	< 1 dB	dB
Impedance	In / Out : 75 Ω	In / Out : 75 Ω

(4) Torque for Tuning Screw

	> 100gf · cm
--	--------------

(5) Temperature Condition:

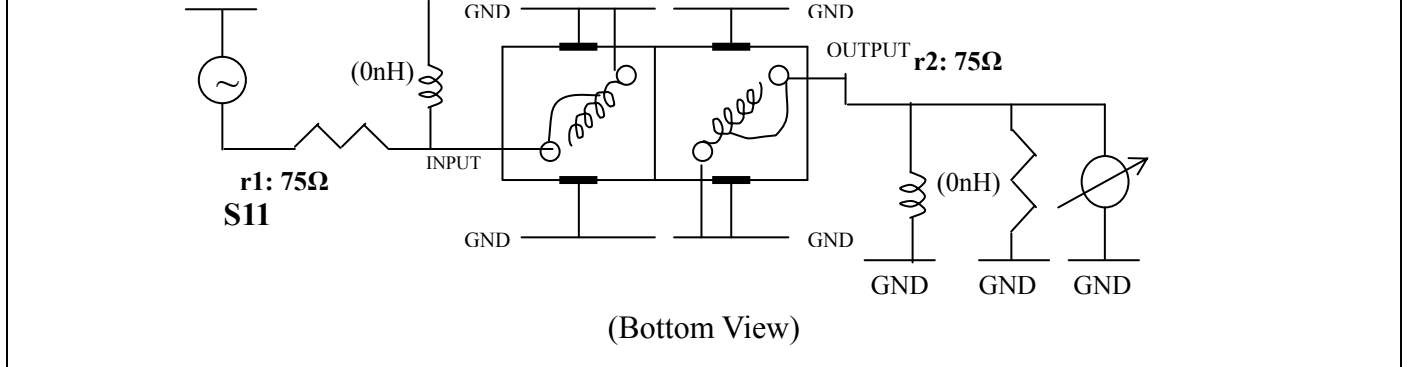
Operating Temperature	0°C ~ +60°C
-----------------------	-------------

Storage Temperature	-20°C ~ +70°C
---------------------	---------------

(6) Input Power

	> 1Watt
--	---------

(7) Measuring Circuit: ※Easy to match Impedance 75Ω by parallel with about (0) nH.



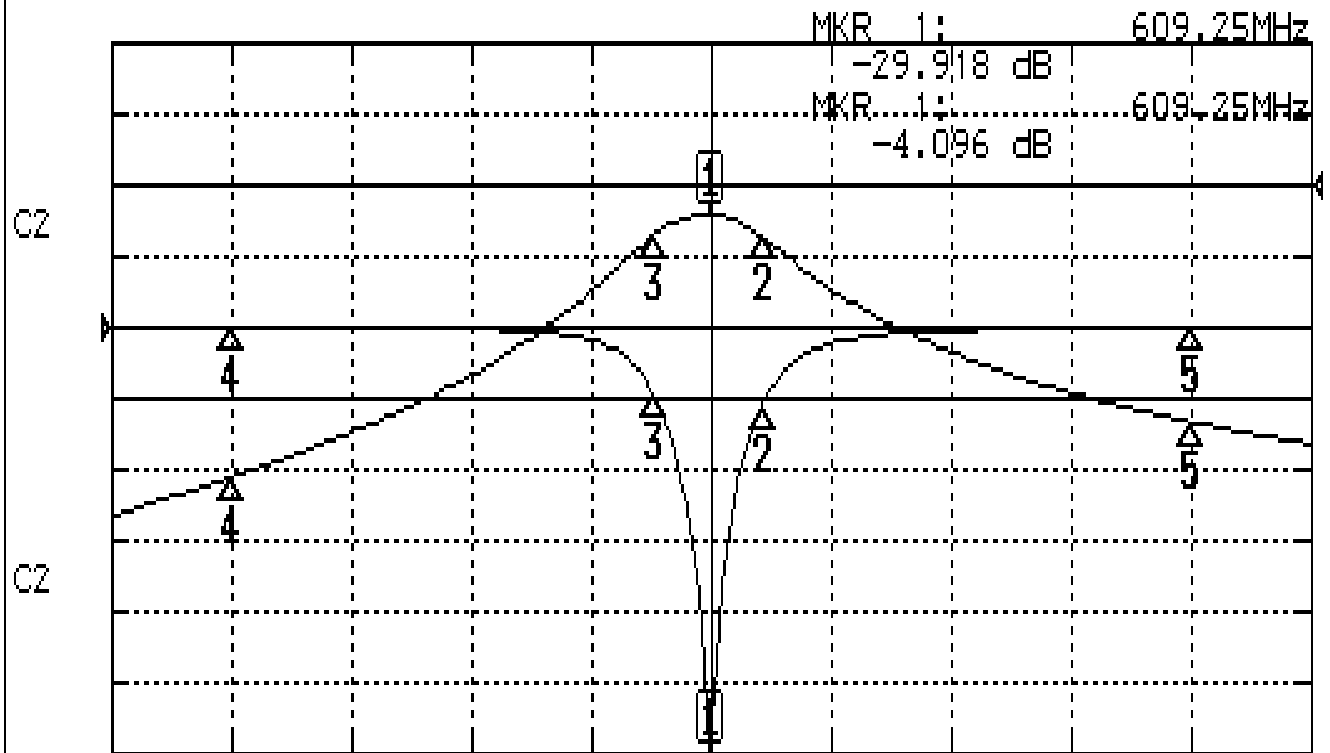
Approval	Supervisor	Designer	Aperture size
C.Y.Chang	C.S.Chang	J.F.Lin	7H2(4*4.65)F 7H046LB4 聚 3

TEMWELL CORPORATION

Performance-TDL6241F-609.25M

0612076DC

CH1 S11 LOG MAG REF 0.000 dB 5.000 dB/
CH2 S21 LOG MAG REF 0.000 dB 10.000 dB/



CENTER 609.25MHz

[10.00 dBm]

SPAN 100MHz

CH1 MARKER LIST

1:	609.250MHz	-29.918 dB
2:	613.500MHz	-5.520 dB
3:	604.500MHz	-4.735 dB
4:	569.250MHz	0.038 dB
5:	649.250MHz	0.017 dB

CH2 MARKER LIST

1:	609.250MHz	-4.097 dB
2:	613.500MHz	-7.100 dB
3:	604.500MHz	-6.985 dB
4:	569.250MHz	-41.036 dB
5:	649.250MHz	-33.283 dB