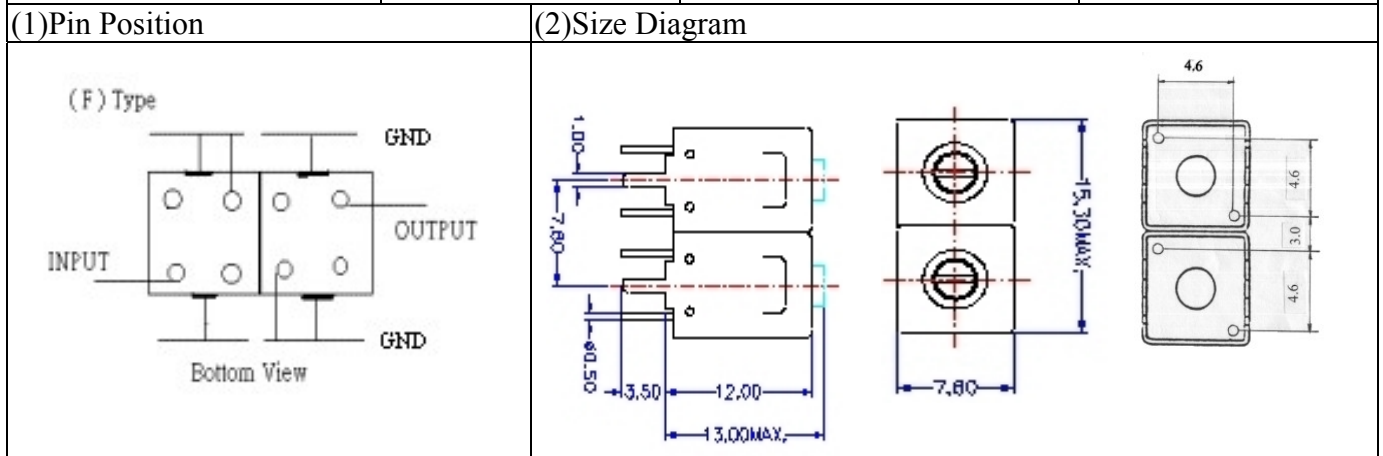


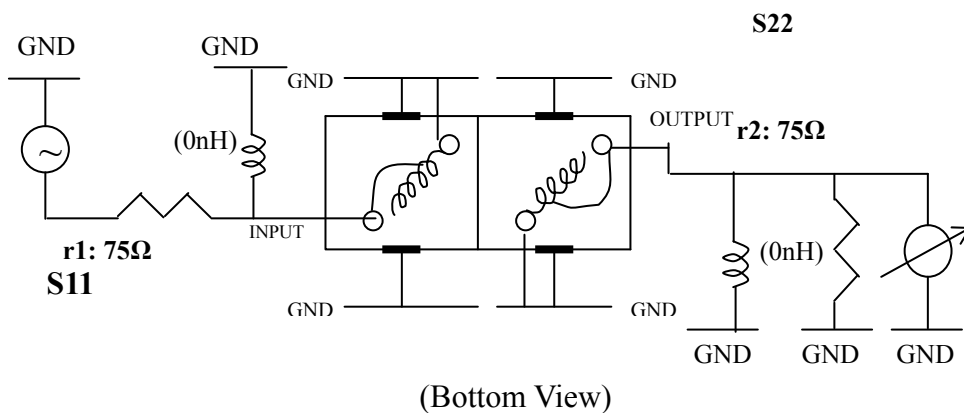
VHF UHF Helical Filter Specification Sheet

Customer Name		Temwell's Part No.	TDL6240F-603.25M
Approval No. /dated	0612075APR	Acceptable Specify Fo Range	596~640 MHz
Work Instruction No.	0612075DC	Date	Jan.03.2007



(3) Electric Character			
Item	Specify	Performance	
Center Freq.(Fo) +/- 0.5 %	603.25 MHz	603.25 MHz	
Tunable Range	603.25±5 MHz	603.25±5 MHz	
Insertion Loss	Typ. 5.0 dB	4.25 dB	
-3 dB Bandwidth	Typ. 7 MHz	9.1 MHz	
Sensitivity (Attenuation)	Fo - 40 MHz	Typ. 34 dB	37 dB
	Fo + 40 MHz	Typ. 27 dB	30 dB
	Fo - ()MHz	Typ. dB	dB
	Fo +()MHz	Typ. dB	dB
Return Loss	Min. 12 dB	44.9 dB	
Ripple	< 1 dB	dB	
Impedance	In / Out : 75 Ω	In / Out : 75 Ω	
(4) Torque for Tuning Screw			
		> 100gf · cm	
(5) Temperature Condition:			
Operating Temperature	0°C ~ +60°C		
Storage Temperature	-20°C ~ +70°C		
(6) Input Power		> 1 Watt	

(7) Measuring Circuit: ※ Easy to match Impedance /75Ω by parallel with about (0) nH.



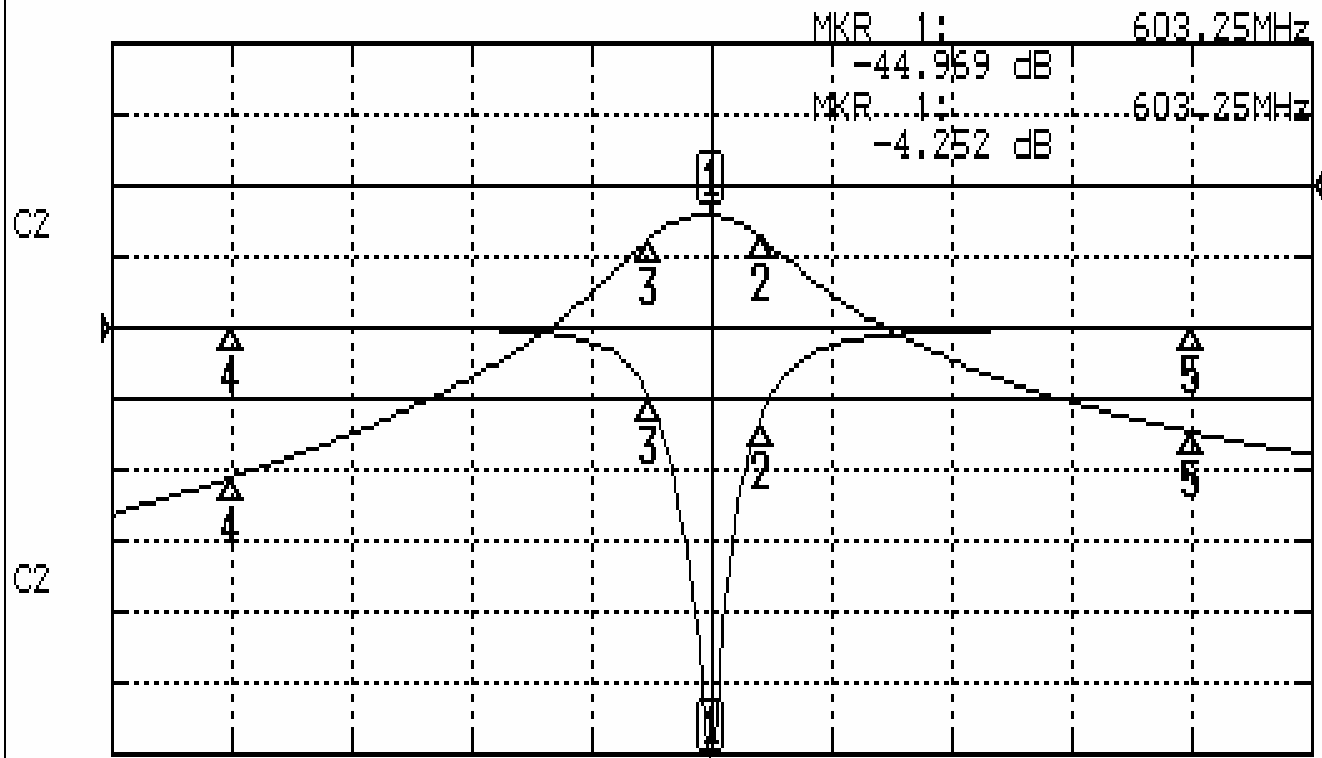
Approval	Supervisor	Designer	Aperture size
C.Y.Chang	C.S.Chang	J.F.Ling	7H2(4*4.65)F 7H046LB4 聚 3

TEMWELL CORPORATION

Performance-TDL6240F-603.25M

0612075DC

CH1 S11 LOG MAG REF 0.000 dB 5.000 dB/
CH2 S21 LOG MAG REF 0.000 dB 10.000 dB/



CENTER 603.25MHz

[10.00 dBm]

SPAN 100MHz

CH1 MARKER LIST

1:	603.250MHz	-44.969 dB
2:	607.250MHz	-6.634 dB
3:	598.166MHz	-5.105 dB
4:	563.250MHz	0.080 dB
5:	643.250MHz	0.042 dB

CH2 MARKER LIST

1:	603.250MHz	-4.252 dB
2:	607.250MHz	-7.236 dB
3:	598.166MHz	-7.409 dB
4:	563.250MHz	-41.079 dB
5:	643.250MHz	-34.705 dB