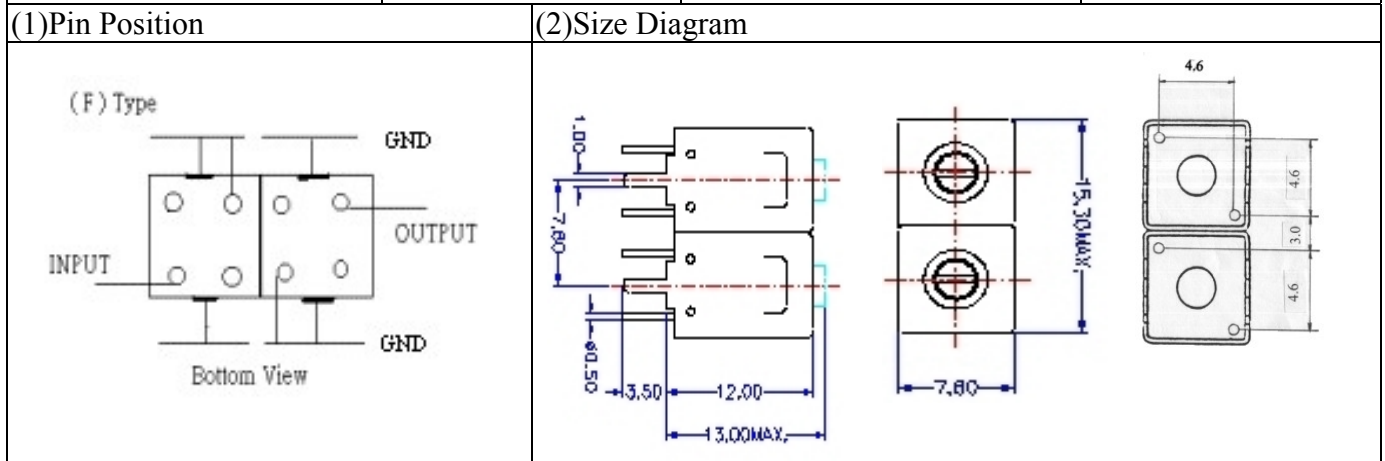


# VHF UHF Helical Filter Specification Sheet

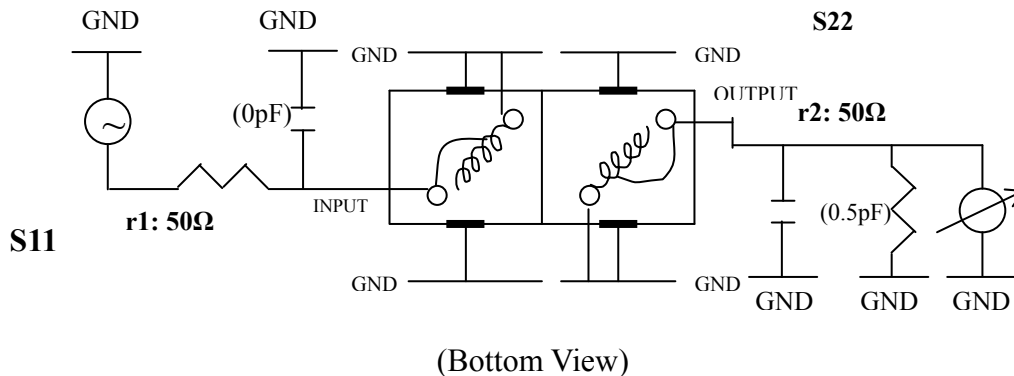
Customer Name		Temwell's Part No.	TDL6239F-597.25M
Approval No. /dated	0612074APR	Acceptable Specify Fo Range	556~595MHZ
Work Instruction No.	0612074DC	Date	Jan.04.2007



### (3)Electric Character

Item	Specify	Performance
Center Freq.(Fo ) +/- 0.5 %	597.25 MHz	597.25 MHz
Tunable Range	597.25±5 MHz	597.25±5 MHz
Insertion Loss	Typ. 6.0 dB	5.07 dB
-3 dB Bandwidth	Typ. 7 MHz	9.6 MHz
Sensitivity (Attenuation)	Fo - 30 MHz	Typ. 26 dB
	Fo + 30 MHz	Typ. 20 dB
	Fo - ( )MHz	Typ. dB
	Fo +( )MHz	Typ. dB
Return Loss	Min. 12 dB	21.6 dB
Ripple	< 1 dB	dB
Impedance	In / Out : 75 Ω	In / Out : 75 Ω
(4)Torque for Tuning Screw	> 100gf · cm	
(5)Temperature Condition:		
Operating Temperature	0°C ~ +60°C	
Storage Temperature	-20°C ~ +70°C	
(6)Input Power	> 1Watt	

(7)Measuring Circuit: ※Easy to match Impedance 75Ω by parallel with about ( 0pF)/(0.5pF).



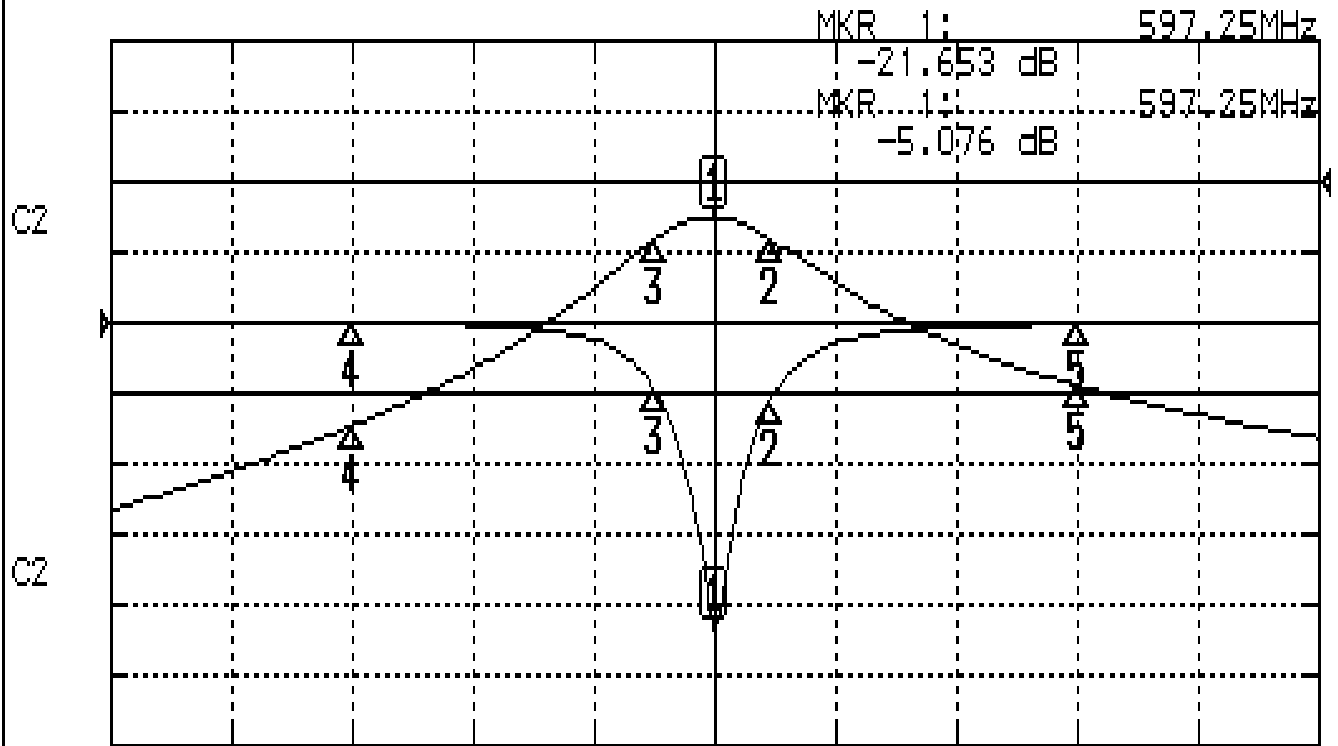
Approval	Supervisor	Designer	Aperture size
C.Y.Chang	C.S.Chang	J.F.Lin	7H2S(4*4.65)F 7H046LB4 聚 3

TEMWELL CORPORATION

# Performance-TDL6239F-597.25M

## 0612074DC

**CH1** S11 LOG MAG REF 0.000 dB 5.000 dB/  
**CH2** S21 LOG MAG REF 0.000 dB 10.000 dB/



CENTER 597.25MHz

[ 10.00 dBm ]

SPAN 100MHz

### CH1 MARKER LIST

1:	597.250MHz	-21.697	dB
2:	601.916MHz	-5.456	dB
3:	592.333MHz	-4.719	dB
4:	567.250MHz	-0.019	dB
5:	627.250MHz	-0.096	dB

### CH2 MARKER LIST

1:	597.250MHz	-5.076	dB
2:	601.916MHz	-8.170	dB
3:	592.333MHz	-8.017	dB
4:	567.250MHz	-34.536	dB
5:	627.250MHz	-28.934	dB