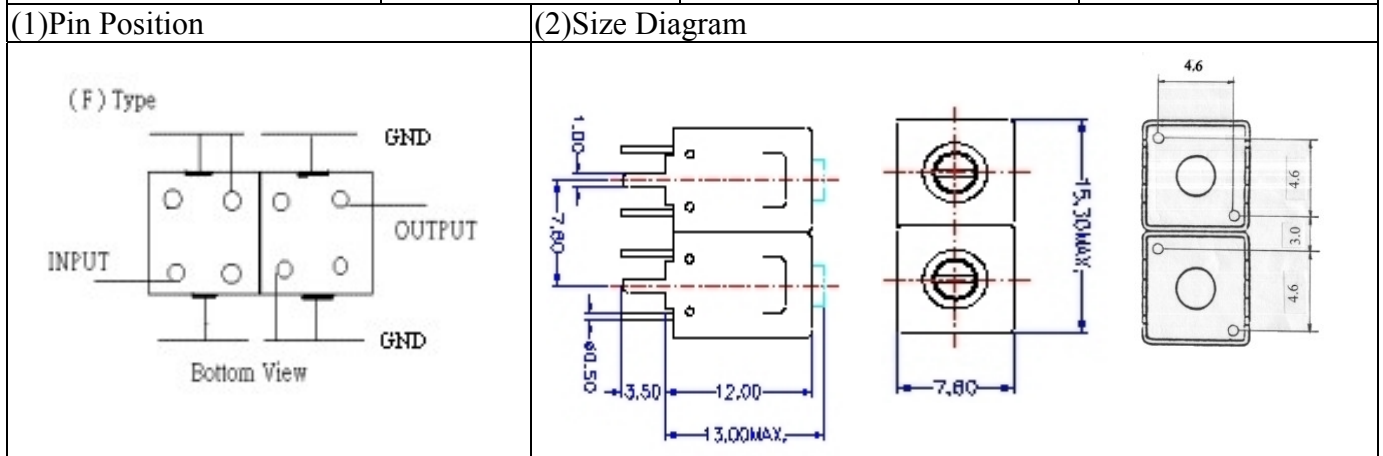


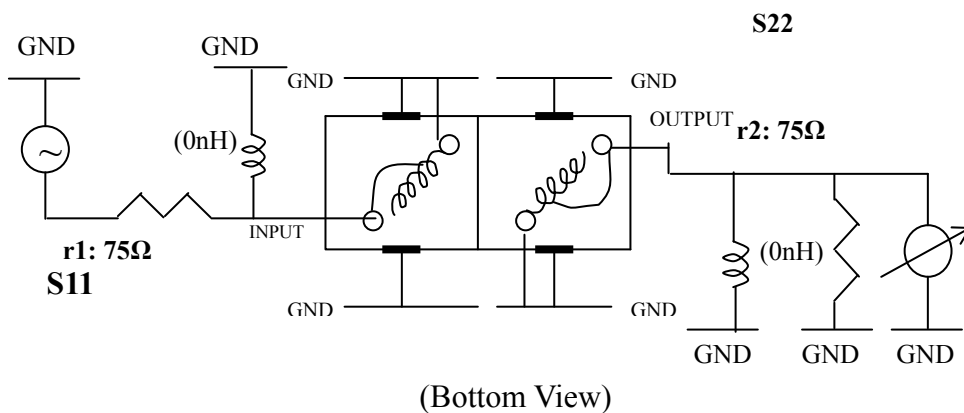
VHF UHF Helical Filter Specification Sheet

Customer Name		Temwell's Part No.	TDL6231F-549.25M
Approval No. /dated	0612066APR	Acceptable Specify Fo Range	516~555 MHz
Work Instruction No.	0612066DC	Date	Jan.03.2007



(3) Electric Characteristic			
Item	Specify	Performance	
Center Freq.(Fo) +/- 0.5 %	549.25 MHz	549.25 MHz	
Tunable Range	549.25±5 MHz	549.25±5 MHz	
Insertion Loss	Typ. 5 dB	3.88 dB	
-3 dB Bandwidth	Typ. 7 MHz	9.1 MHz	
Sensitivity (Attenuation)	Fo - 20 MHz	Typ. 21 dB	24 dB
	Fo + 20 MHz	Typ. 16 dB	19 dB
	Fo - ()MHz	Typ. dB	dB
	Fo + ()MHz	Typ. dB	dB
Return Loss	Min. 12 dB	24.8 dB	
Ripple	< 1 dB	dB	
Impedance	In / Out : 75 Ω	In / Out : 75 Ω	
(4) Torque for Tuning Screw			
		> 100gf · cm	
(5) Temperature Condition:			
Operating Temperature	0°C ~ +60°C		
Storage Temperature	-20°C ~ +70°C		
(6) Input Power		> 1 Watt	

(7) Measuring Circuit: ※ Easy to match Impedance /75Ω by parallel with about (0) nH.

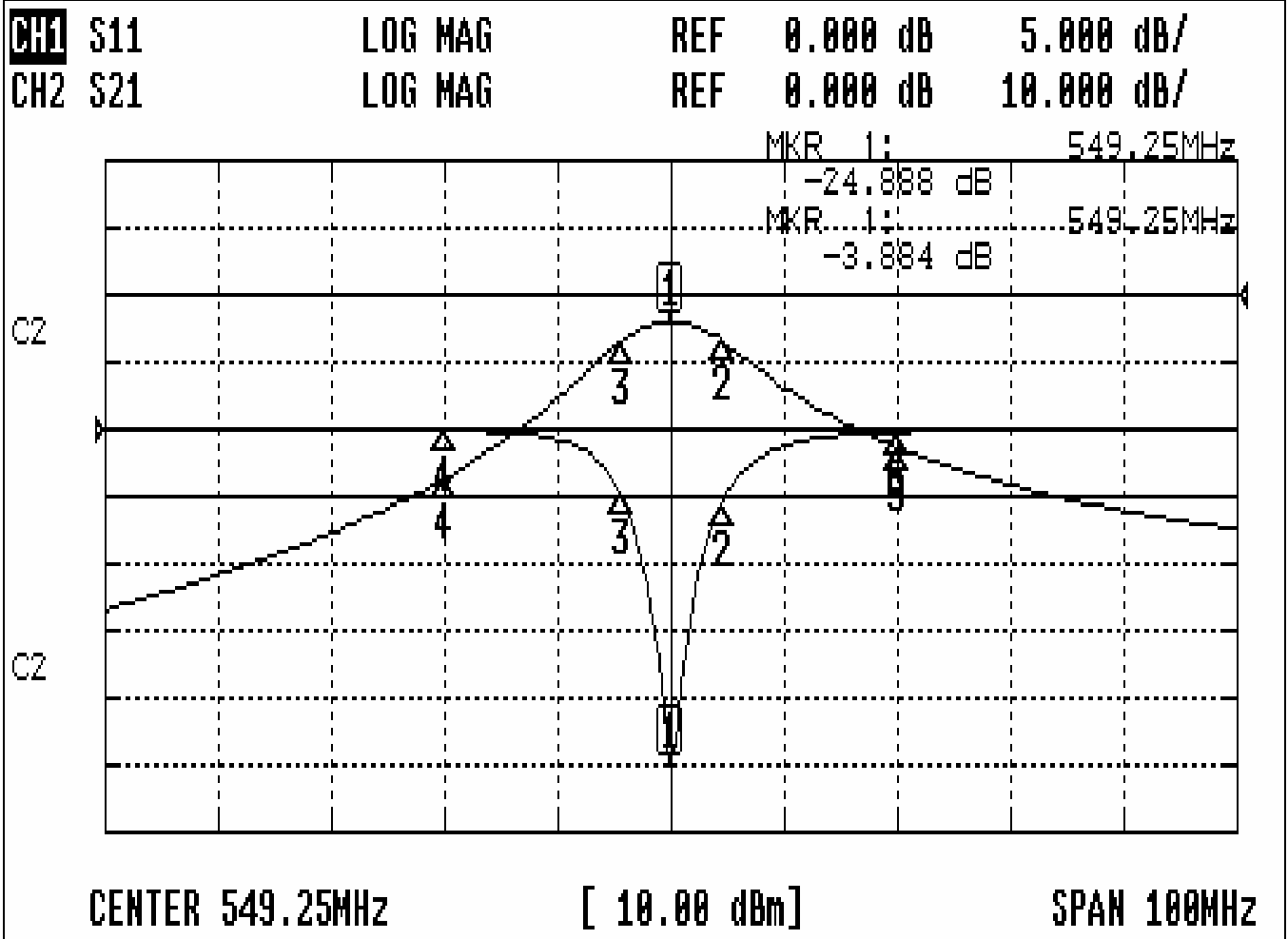


Approval	Supervisor	Designer	Aperture size
C.Y.Chang	C.S.Chang	W.W.Wang	7H2(4*5.35)F 7H046LB4 聚 3

TEMWELL CORPORATION

Performance-TDL6231F-549.25M

0612066DC



CH1 MARKER LIST

1:	549.250MHz	-24.998 dB
2:	550.833MHz	-5.449 dB
3:	544.750MHz	-4.660 dB
4:	529.250MHz	-0.024 dB
5:	569.250MHz	-0.184 dB

CH2 MARKER LIST

1:	549.250MHz	-3.884 dB
2:	550.833MHz	-6.000 dB
3:	544.750MHz	-6.000 dB
4:	529.250MHz	-27.317 dB
5:	569.250MHz	-22.677 dB